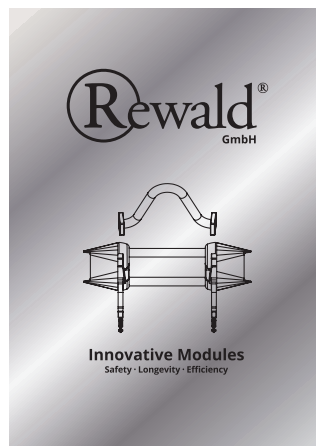


**Components for
IBCs**

Catalog 2023

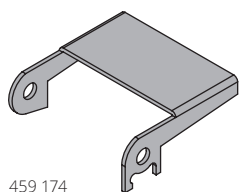
All Rewald Catalogs



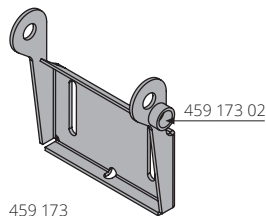
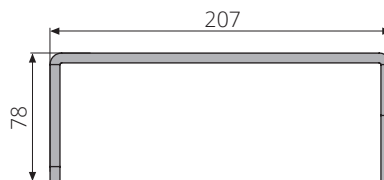
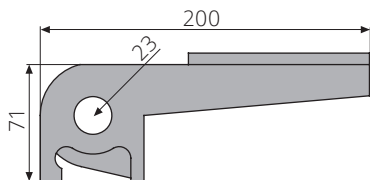
Contents

Accessories for lids	4 - 5
Over centre locks	6 - 7
Locking mechanisms	8
Container bases / Extended hub wheel & shafts	9
Safety valves	10
Foam rubber seals / Sealing frames	10 - 11
Stickers	12
Custom order form / Order form / General terms & conditions REWALD GmbH	13 - 15

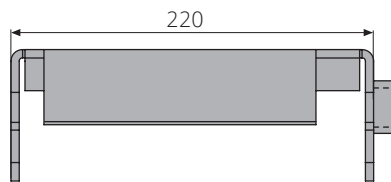
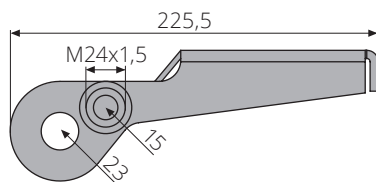
Accessories for lids



459 174

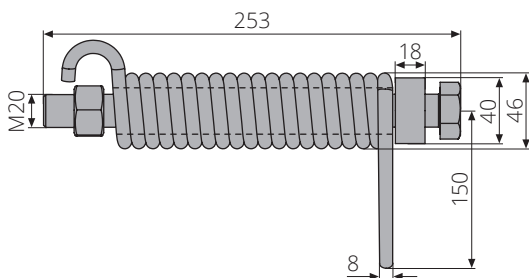
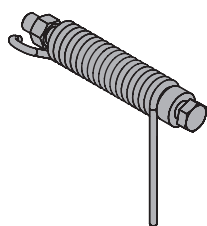


459 173

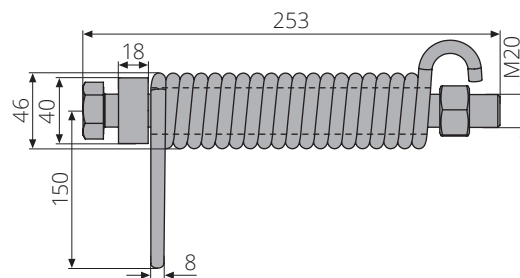


459 173 02

Article no.	Product	Description
459 174	Hinge for lid	200x207mm, top, S235JR, galvanized
459 173	Hinge for lid	225,5x220mm, bottom, S235JR, galvanized
459 173 02	Threaded bushing	M24x1,5mm, raw, for welding

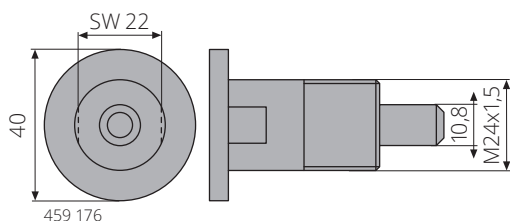
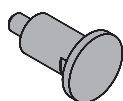


459 182

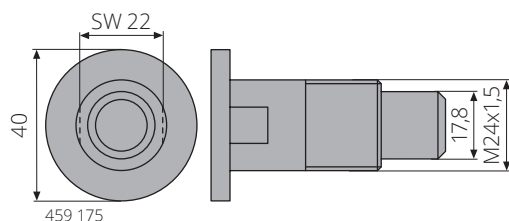


459 183

Article no.	Product	Description
459 182	Spring set complete	46x253mm, left, spring galvanized, type BAUER
459 183	Spring set complete	46x253mm, right, spring galvanized, type BAUER



459 176



459 175

Article no.	Product	Description
459 176	Spring bolt	M24x1,5mm, bolt D=10,8mm
459 175	Spring bolt	M24x1,5mm, bolt D=17,8mm

Achtung!

Vor dem Umlegen des Deckels
unbedingt den Verschlussriegel

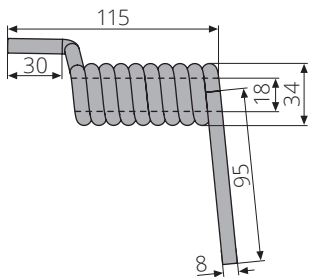
am linken Behälterscharnier
nach Skizze betätigen!

Rewald GmbH
Tel.: +49-030-200 05 78-80 Fax: +49-030-200 05 78-99

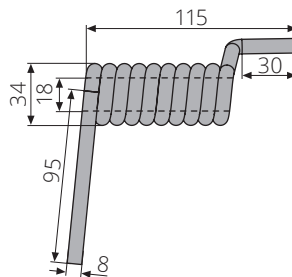
459 258

Article no.	Product	Description
459 258	PVC sticker "Achtung! Verschlussriegel betätigen"	210x150mm, 2 stickers/sheet

Accessories for lids

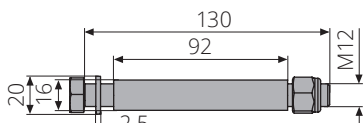
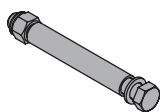


459 168



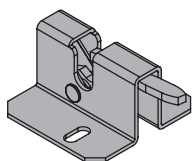
459 169

Article no.	Product	Description
459 168	Spring	18-34-115mm, left, galvanized, type BAUER
459 169	Spring	18-34-115mm, right, galvanized, type BAUER

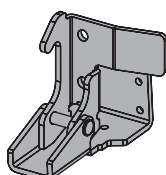
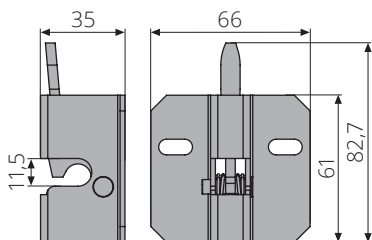


459 181

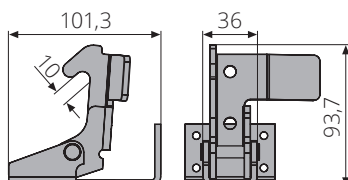
Article no.	Product	Description
459 181	Bolt set	16x137,5mm, pipe galvanized, type BAUER



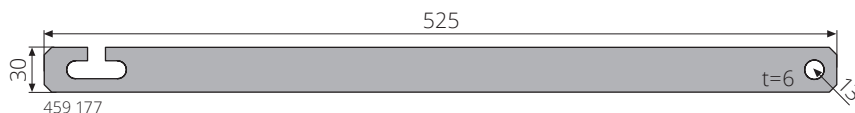
459 159



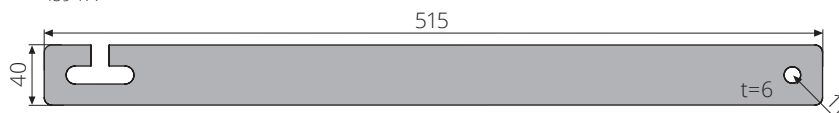
459 155



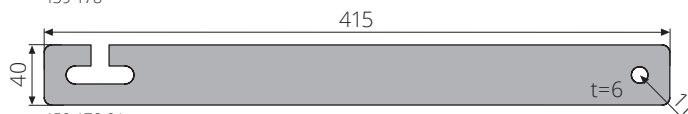
Article no.	Product	Description
459 155	Lid detent	101,3x93,7mm, galvanized, type FAUN
459 159	Lid detent	82,7x66mm, galvanized, heavy duty version, type BAUER



459 177



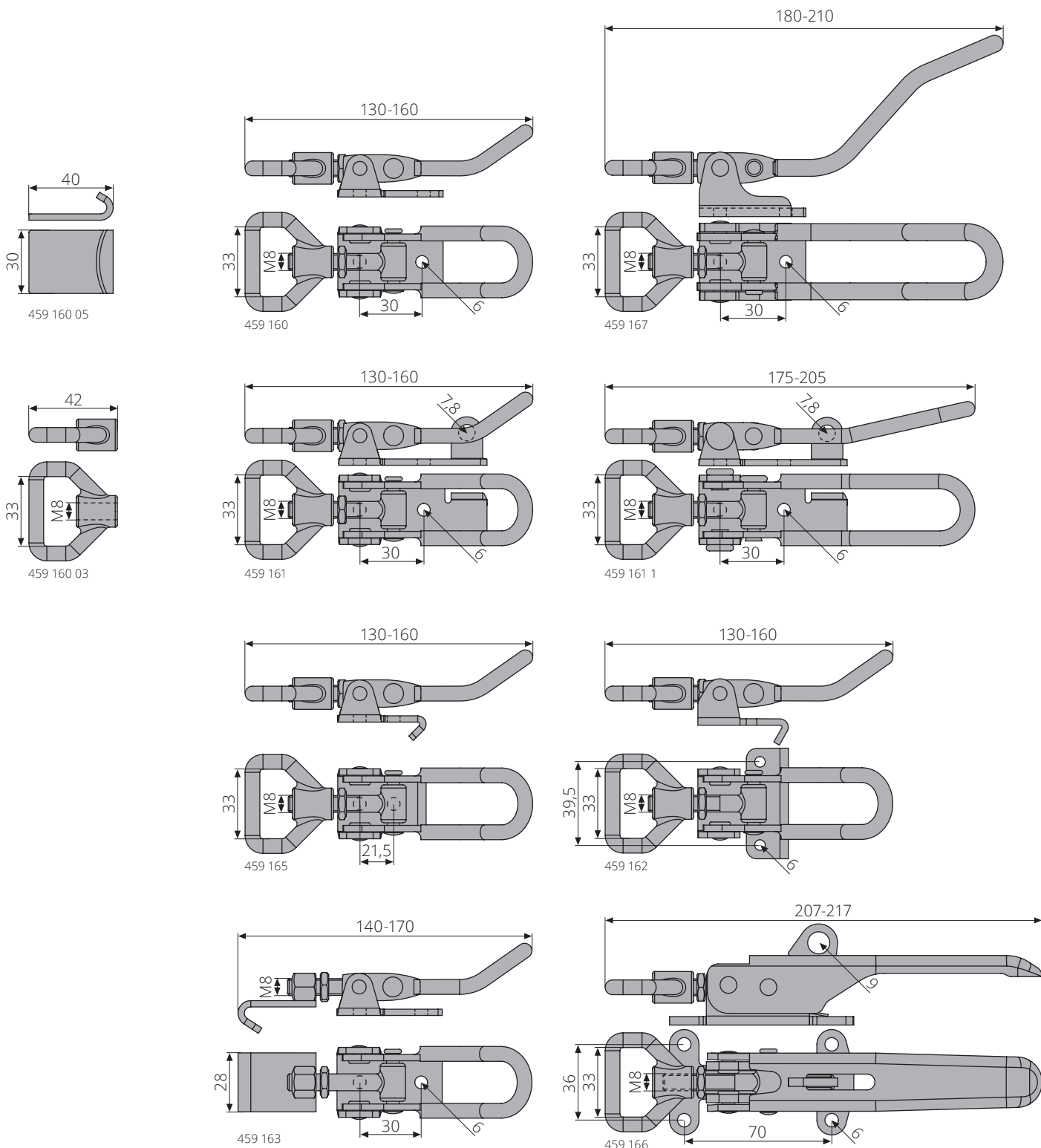
459 178



459 178 01

Article no.	Product	Description
459 177	Lid support	30x525x6mm, galvanized, type OTTO/BAUER/EDELHOFF
459 178	Lid support	40x515x6mm, galvanized, type OTTO/BAUER
459 178 01	Lid support	40x415x6mm, galvanized, type OTTO

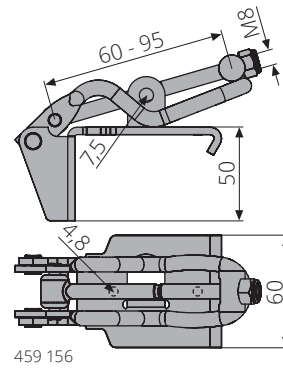
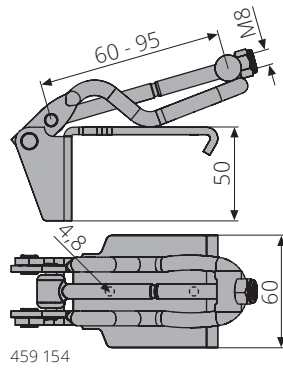
Over centre locks



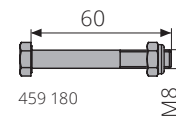
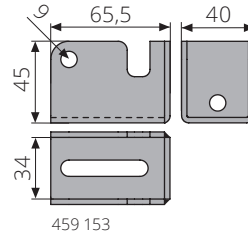
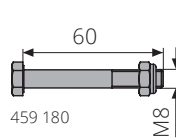
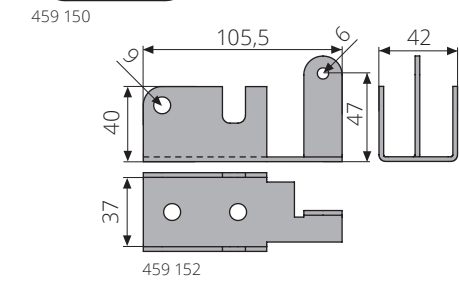
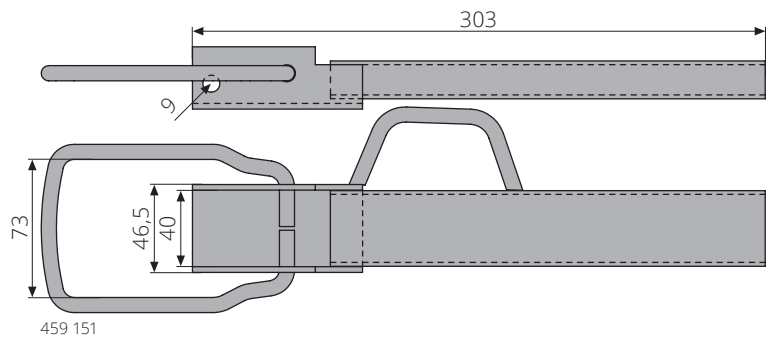
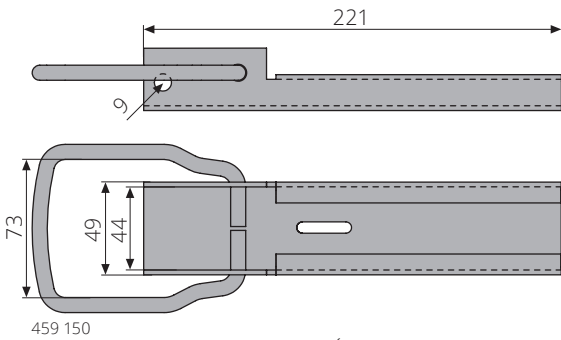
Article no.	Product	Description
459 160	Over centre lock	M8, stroke 30mm, galvanized
459 167	Over centre lock	M8, stroke 30mm, galvanized, long version
459 161	Over centre lock	M8, stroke 30mm, galvanized, can be locked
459 161 1	Over centre lock	M8, stroke 30mm, galvanized, can be locked, long version
459 165	Over centre lock	M8, stroke 30mm, galvanized
459 162	Over centre lock	M8, stroke 30mm, galvanized
459 163	Over centre lock	M8, stroke 30mm, galvanized, with hook plate
459 166	Over centre lock	M8, stroke 20mm, galvanized, with automatic safety latch, can be locked

Article no.	Product	Description
459 160 05	Counterhold for over centre locks	40x30mm, galvanized
459 160 03	Eye for over centre locks	M8, galvanized

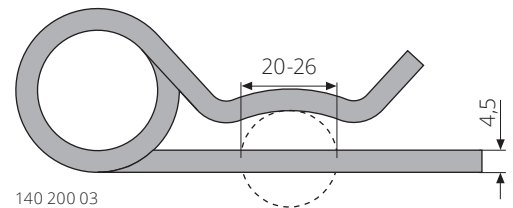
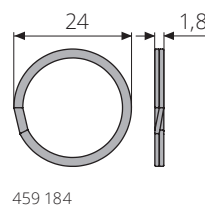
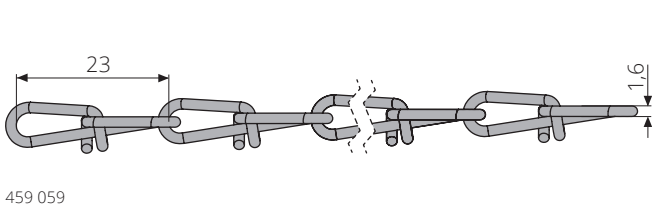
Over centre locks / Accessories



Article no.	Product	Description
459 154	Over centre lock	M8, stroke 30mm, S235JR, galvanized, with spring, type FAUN
459 156	Over centre lock	M8, stroke 30mm, S235JR, galvanized, with spring, type FAUN, can be locked

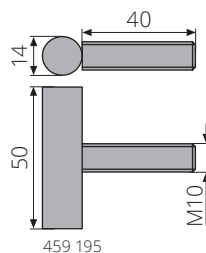


Article no.	Product	Description
459 150	Over centre lock	221x49mm, S235JR, galvanized, short version, type OTTO, can be locked
459 151	Over centre lock	303x40mm, S235JR, galvanized, long version, type OTTO
459 152	Casing	42x105,5mm, S235JR, galvanized, type OTTO, for 459 150, can be locked
459 153	Casing	40x65,5mm, S235JR, galvanized, type OTTO, for 459 151
459 180	Hex bolt	M8x60mm, galvanized, with lock nut



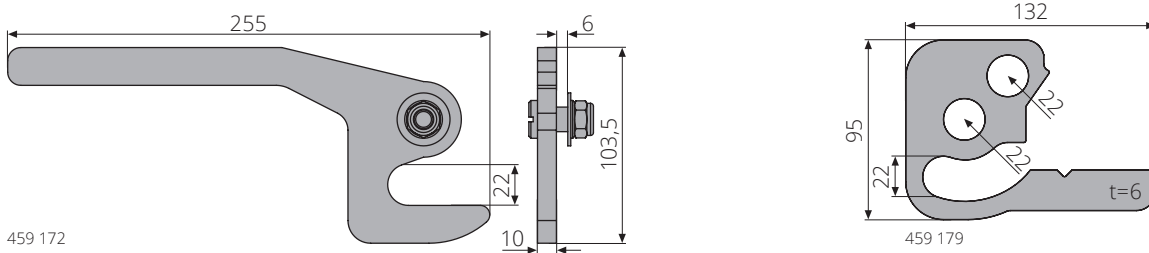
Article no.	Product	Description
459 059	Knotted chain	D=1,6mm, galvanized, DIN 5686, length according to specification

Article no.	Product	Description
459 184	Key ring	24x1,8mm, rust free
140 200 03	Retainer pin	for shaft D=20-26mm, wire D=4,5mm, DIN 11024, form D, galvanized

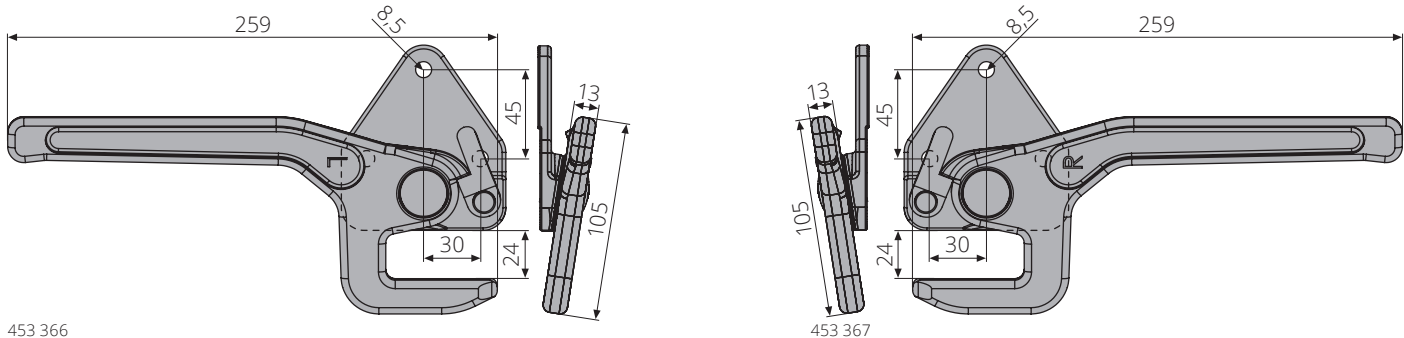


Article no.	Product	Description
459 195	Clamp bar for over centre locks	M10, galvanized, for over centre locks with M10 internal thread

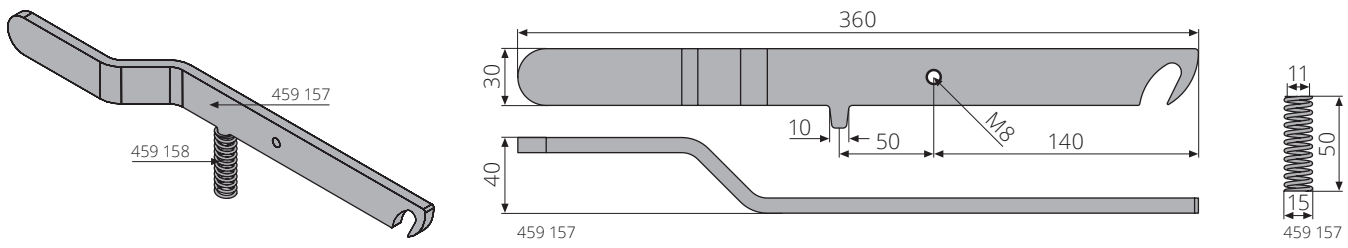
Locking mechanisms



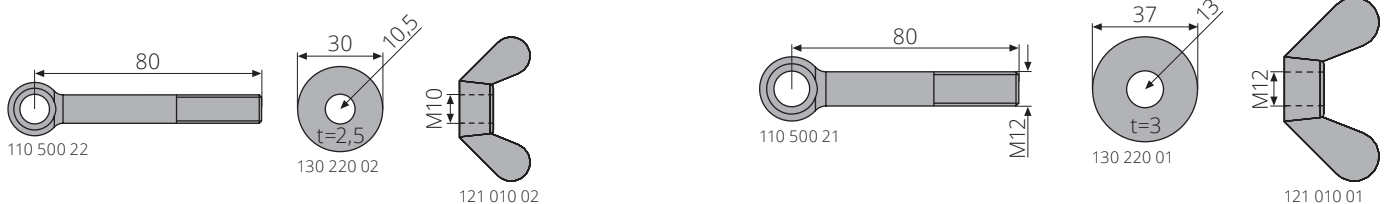
Article no.	Product	Description
459 172	Locking lever	255x103,5x10mm, left/right, galvanized, with washers, screw & nut, type FAUN
459 179	Base plate	132x95x6mm, steel sheet, S355J2, raw



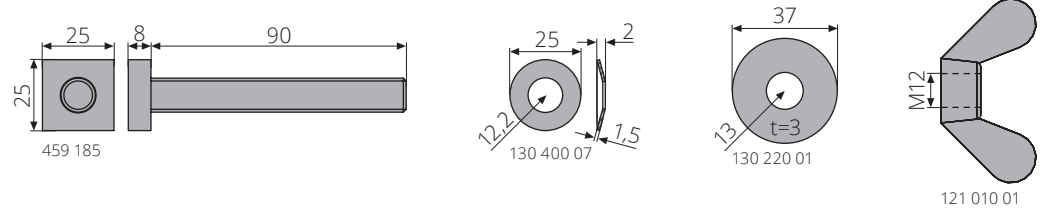
Article no.	Product	Description
453 366	Locking lever	259x105x13mm, left, type FAUN
453 367	Locking lever	259x105x13mm, right, type FAUN



Article no.	Product	Description
459 157	Locking hook	30x360x8mm, galvanized, type BAUER
459 158	Spring for locking hook	11-15-50mm, galvanized, for locking hook 459 157, type BAUER

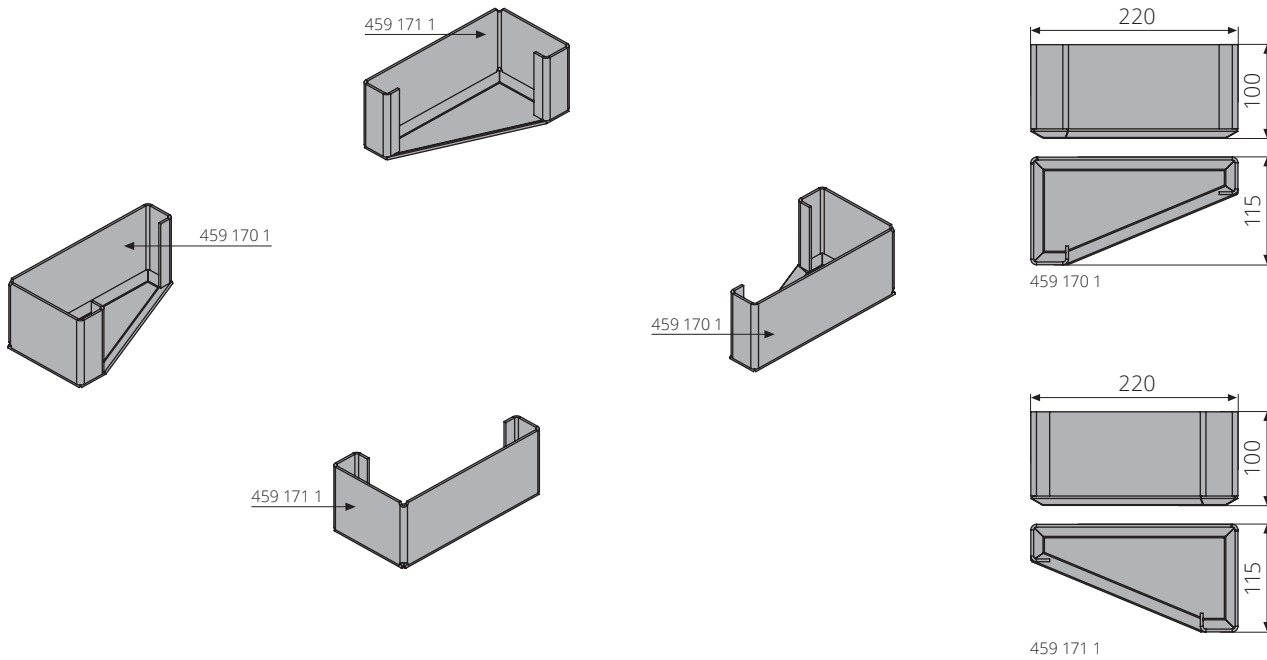


Article no.	Product	Description
110 500 22	Eyebolt	M10x80mm, galvanized, DIN 444
130 220 02	Washer	10,5-30-2,5mm, galvanized, DIN 9021
121 010 02	Wing nut	M10, galvanized, DIN 315 D
110 500 21	Eyebolt	M12x80mm, galvanized, DIN 444
130 220 01	Washer	13-37-3mm, galvanized, DIN 9021
121 010 01	Wing nut	M12, galvanized, DIN 315 D



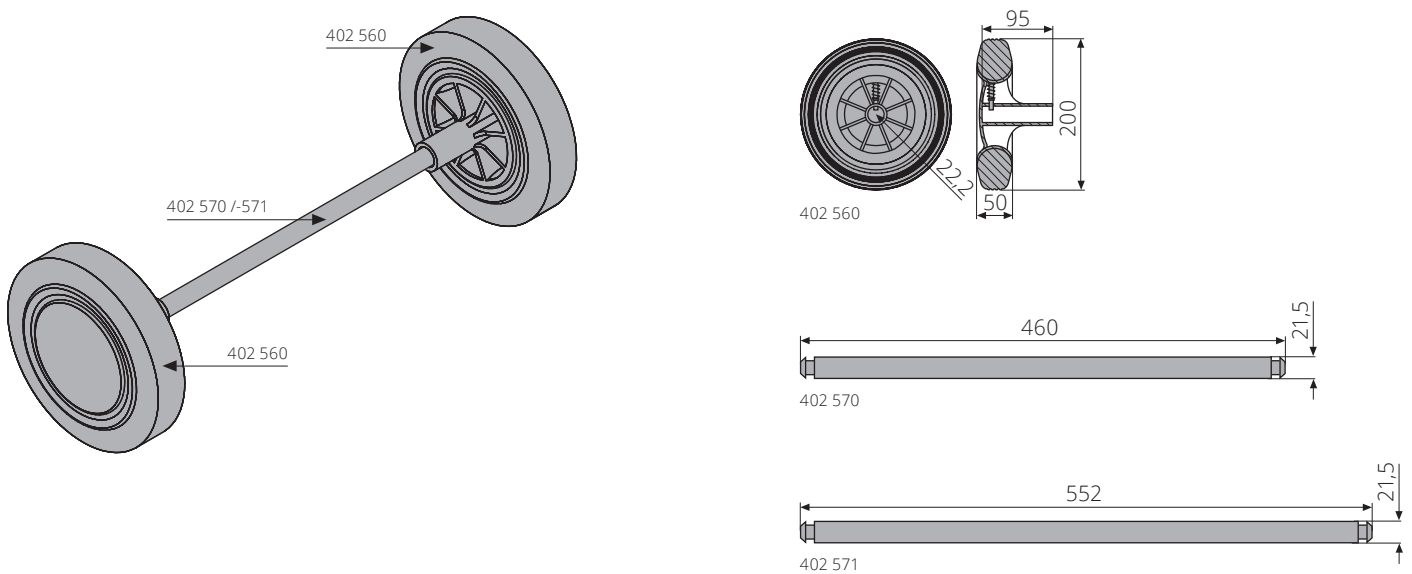
Article no.	Product	Description
459 185	Square headed screw	M12x90mm, galvanized
130 400 07	Cup washer	12,2-25-1,5mm, DIN 2093 A
130 220 01	Washer	13-37-3mm, galvanized, DIN 9021
121 010 01	Wing nut	M12, galvanized, DIN 315 D

Container bases



Article no.	Product	Description
459 170 1	Container base	220x115x100mm, front right/rear left, S235JR, primed
459 171 1	Container base	220x115x100mm, front left/rear right, S235JR, primed

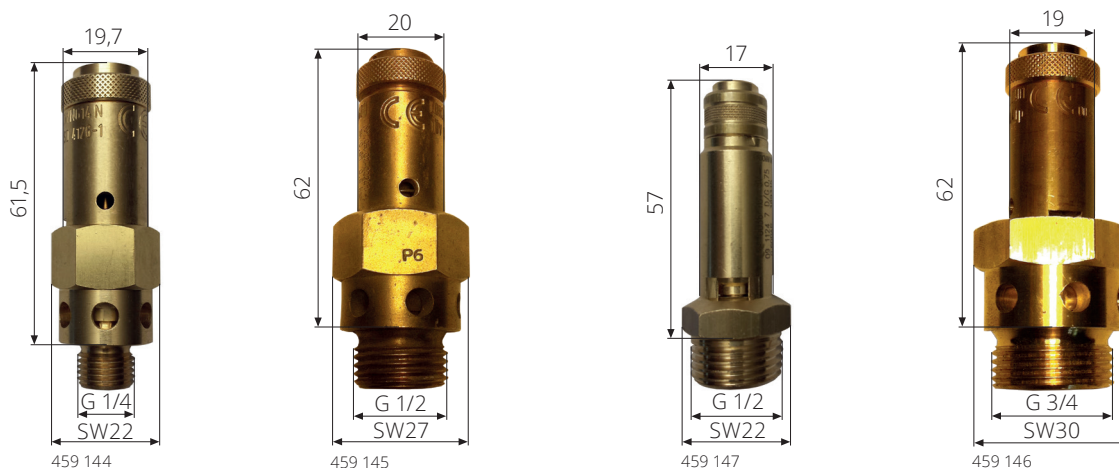
Extended hub wheel & shafts



Article no.	Product	Description
402 560	Extended hub wheel	200X50mm, rubber tyre, plastic hub

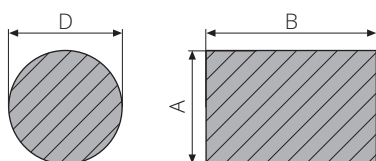
Article no.	Product	Description
402 570	Shaft for extended hub wheel	21,5x460mm, for 120 l containers, galvanized, solid material
402 571	Shaft for extended hub wheel	21,5x552mm, for 240 l containers, galvanized, solid material

Safety valves



Article no.	Product	Description
459 144	Safety valve	G 1/4", SW 22, pressure range 0,6 bar, Tüv SV 10-882 8 D/G
459 145	Safety valve	G 1/2", SW 27, pressure range 0,51 bar, Tüv SV 01-874 8 D/G, -10/+180°C
459 147	Safety valve	G 1/2", SW 22, pressure range 0,6 bar, Tüv SV 12-1015 7 D/G
459 146	Safety valve	G 3/4", SW 30, pressure range 0,51 bar, Tüv SV 08-917 10 D/G, -10/+180°C

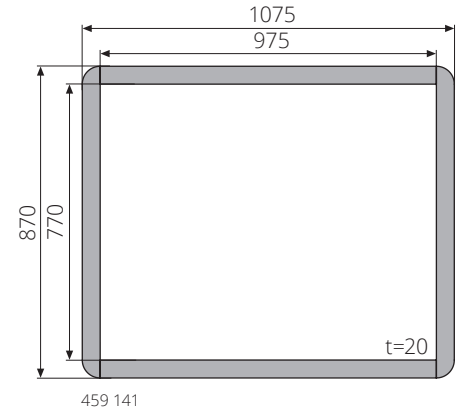
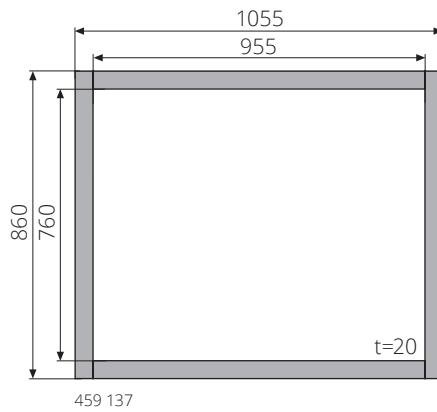
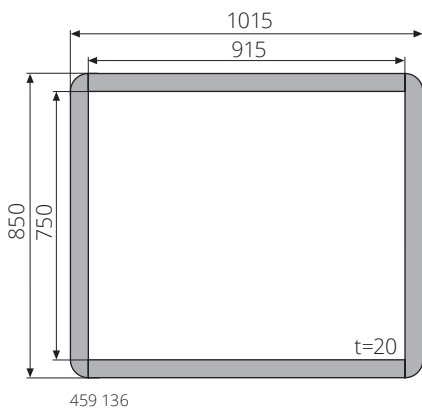
Foam rubber seals



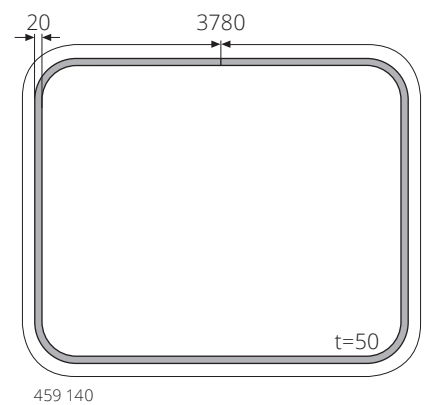
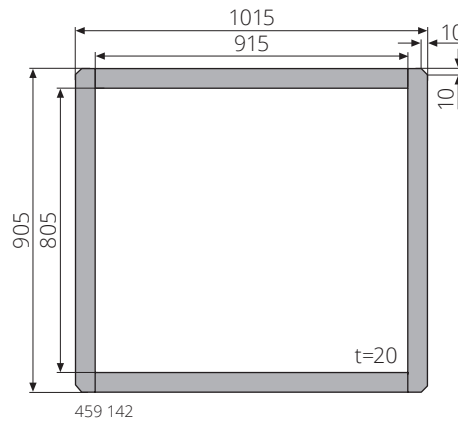
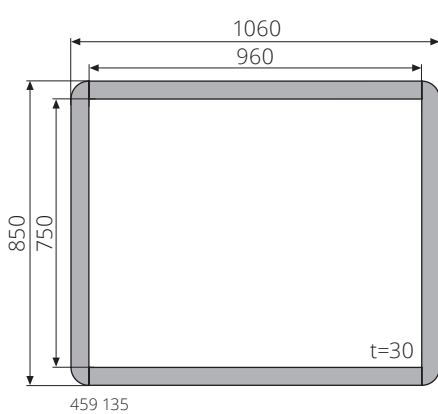
Article no.	Product	Description
459 119	Foam rubber seal	D=20mm, round, 25m bundle
459 120	Foam rubber seal	D=30mm, round, 20m bundle
459 126	Foam rubber seal	10x60mm, square, 25m bundle
459 114	Foam rubber seal	12x20mm, square, 50m bundle
459 128 01	Foam rubber seal	15x15mm, square, 25m bundle
459 102	Foam rubber seal	15x20mm, square, 25m bundle
459 115	Foam rubber seal	15x30mm, square, 25m bundle
459 104	Foam rubber seal	15x40mm, square, 25m bundle
459 104 1	Foam rubber seal	15x50mm, square, 25m bundle
459 101	Foam rubber seal	20x20mm, square, 25m bundle
459 127	Foam rubber seal	20x25mm, square, 25m bundle
459 112	Foam rubber seal	20x30mm, square, 25m bundle
459 112 1	Foam rubber seal	20x35mm, square, 25m bundle
459 106	Foam rubber seal	20x40mm, square, 25m bundle
459 117	Foam rubber seal	20x45mm, square, 25m bundle
459 103	Foam rubber seal	20x50mm, square, 25m bundle
459 107	Foam rubber seal	25x25mm, square, 25m bundle
459 125	Foam rubber seal	25x40mm, square, 25m bundle
459 111	Foam rubber seal	25x50mm, square, 15m bundle
459 108	Foam rubber seal	30x30mm, square, 20m bundle
459 118	Foam rubber seal	30x35mm, square, 15m bundle
459 110 1	Foam rubber seal	30x40mm, square, 15m bundle
459 110	Foam rubber seal	30x45mm, square, 15m bundle
459 116	Foam rubber seal	40x40mm, square, 10m bundle

Article no.	Product	Description
459 143	Adhesive kit for EPDM	glue & primer, 30g, to be applied in thin layers on both ends

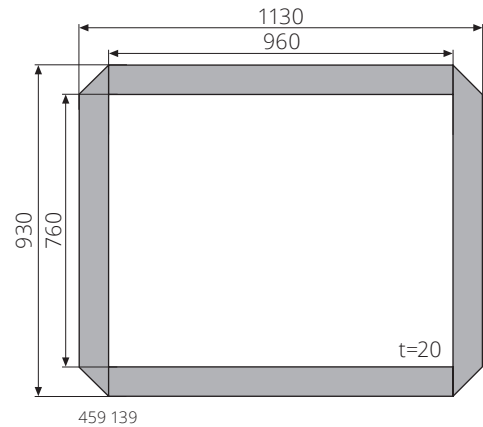
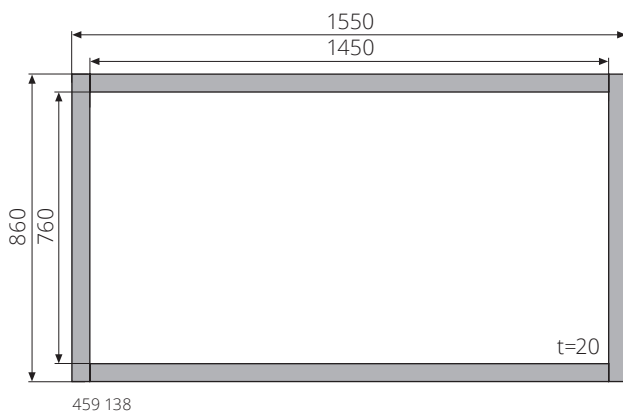
Sealing frames



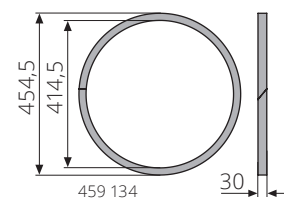
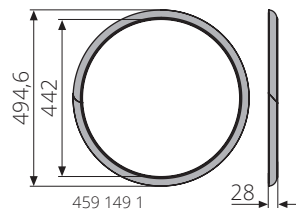
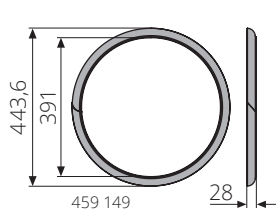
Article no.	Product	Description
459 136	Sealing frame	1015x850x20mm, foam rubber, welded, type OTTO (until 1990)
459 137	Sealing frame	1055x860x20mm, foam rubber, welded, type OTTO (from 1990)
459 141	Sealing frame	1075x870x20mm, foam rubber, welded, type OTTO (from 1994)



Article no.	Product	Description
459 135	Sealing frame	1060x850x30mm, foam rubber, welded, type BAUER
459 142	Sealing frame	1015x905x20mm, foam rubber, welded, type BAUER (from 2000)
459 140	Sealing frame	U=3780mm, foam rubber, welded, type BAUER, corners not stiff

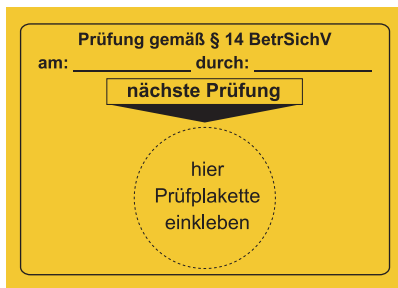


Article no.	Product	Description
459 138	Sealing frame	1550x860x20mm, foam rubber, welded, type HILLEBRANDT
459 139	Sealing frame	1130x930x20mm, foam rubber, welded, type EDELHOFF

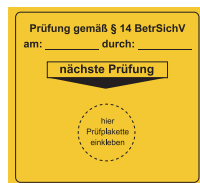


Article no.	Product	Description
459 149	Sealing frame	D=443,6mm, t=28mm, solid rubber, glued
459 149 1	Sealing frame	D=494,6mm, t=28mm, solid rubber, glued
459 134	Sealing frame	D=454,5mm, t=30mm, foam rubber, glued

Stickers



459 220 1



459 222 1



459 255 1



459 221 1

Article no. Product

Article no.	Product	Description
459 220 1	PVC base sticker "Prüfung gemäß § 14 BetrSichV"	210x150mm, 2 stickers/sheet
459 222 1	PVC base sticker "Prüfung gemäß § 14 BetrSichV"	105x95mm, 6 stickers/sheet
459 255 1	PVC base sticker "Prüfung gemäß § 14 BetrSichV" mit Logo	110x148mm, 4 stickers/sheet
459 221 1	PVC base sticker "Prüfung gemäß § 14 BetrSichV"	40x95mm, 15 stickers/sheet



459 243



459 242



459 234



459 232



459 231



459 238



459 235



459 236



459 230



459 239

Article no. Product

Article no.	Product	Description
459 243	PVC inspection sticker "perennial"	D=75mm, 6 stickers/sheets
459 242	PVC inspection sticker "perennial"	D=30mm, 48 stickers/sheet
459 234	PVC inspection sticker "2022"	D=75mm, 6 stickers/sheet
459 232	PVC inspection sticker "2022"	D=30mm, 48 stickers/sheet
459 231	PVC inspection sticker "2023"	D=75mm, 6 stickers/sheet
459 238	PVC inspection sticker "2023"	D=30mm, 48 stickers/sheet
459 235	PVC inspection sticker "2024"	D=75mm, 6 stickers/sheet
459 236	PVC inspection sticker "2024"	D=30mm, 48 stickers/sheet
459 230	PVC inspection sticker "2025"	D=75mm, 6 stickers/sheet
459 239	PVC inspection sticker "2025"	D=30mm, 48 stickers/sheet



459 258

Article no. Product

Article no.	Product	Description
459 258	PVC sticker "Achtung! Verschlussriegel betätigen"	210x150mm, 2 stickers/sheet

Stickers according to customer specification on request

Custom order form

Office Richard-Wagner-Straße 51
 10585 Berlin | Germany
 Phone +49 (0)30 2000 578 80
 E-mail vertrieb@rewald.eu
 Internet www.rewald.eu


We are happy to accept special requests. We ask for as much information as possible so that we can make an offer.

If available, you can also send us the following by e-mail or post:

- detailed photos
- technical drawings, 3D models, detailed sketches
- sample parts
- reference to similar Rewald articles

Contact Person	
Address	
Phone	
E-mail	
Rewald Customer no.	

Stickers / Custom order form

Product	
Material	
OEM no.	
Manufacturer	
Amount	
Sketch	

General terms & conditions REWALD GmbH

1. The customer declares himself in agreement with our standard terms and conditions when placing an order. Failure of the customer to reveal any particular terms of business on their side does not in any way imply our consent to them. In particular, the delivery or provision of services does not constitute implied acceptance of the customer's terms and conditions. Alterations, supplementary agreements and additions to the Standard Terms of Business require our written confirmation.
2. All offers are subject to change and are non-binding. All documents relating to these offers, including figures, drawings, weights or dimensions and including any other technical information and references to technical standards and designs merely indicate the object of the agreement and are subject to written confirmation of technical properties. All prices are quoted for deliveries ex-factory including loading in factory and excluding standard packaging and VAT. Our offers are based on the latest technical developments, the relevant accident prevention regulations, safety regulations etc at the time of making the offer.
3. For content and scope of the contract our written confirmation of the order is definitive. Supplementary agreements, additions etc require our written confirmation.
4. We only accept prepayment. Our request minimum value is 50 €.
5. In the event that after closing of contract we become aware of circumstances which substantially bring the credit-worthiness of the customer into question, or if payment terms are not met, we are entitled to demand at our discretion payment in advance of any liabilities arising out of the business relationship or to ask for appropriate securities.
6. If circumstances arising out of our control, including but not limited to operational disturbances, strikes or lock-outs, freight disruption and any other unforeseeable shortages which occur with our suppliers, and which cause the failure or delay of consignments or services, we reserve the right to deliver at a later date or to withdraw wholly or partly from the contract without the customer having the right to claim damages. In the event of a delay in delivery or services the customer is entitled to withdraw from the contract after the expiry of a reasonably extended deadline of at least 2 weeks. Any withdrawal from contract must take place through written declaration.
7. All shipments are insured. A statement of any damages or shortages to the consignment must be drawn up immediately after receipt. Liability for the risk of accidental damage passes to the purchaser when the consignment is handed over to the freight carrier, but at the latest when the consignment leaves the warehouse. Specific shipping instructions of the customer are only binding if agreed to in writing. Otherwise delivery will be made as we deem best and under exclusion of any liability for the choice of mode of shipment. Shipment takes place at the expense of the buyer. For orders within Germany with a minimum net value of 770 Euro freight delivery will not be charged.
8. The following conditions apply to our warranty and liability for defects in delivery or service, including incorrect delivery or performance: any claims must be made in writing within one week of receipt of goods or services. In the event of justified complaint, excluding the absence of guaranteed qualities, we reserve the right to remedy the defective delivery or service within a reasonable space of time. Where applicable, we may recall the defective goods and supply a replacement; we will not assume responsibility for the costs of assembly, disassembly, or installation. The customer is obliged to allow us the opportunity for rectification during normal working hours by prior agreement.
9. We retain title to all goods supplied pending full and complete payment and until all present and future claims arising out of the business relationship have been met. If the customer acquires sole or shared ownership on the basis of the joining, combining, mixing or processing of our consignment (with other consignments) then we shall have ownership to the ratio of the value of our consignment in relation to the other goods with which it is joined, combined or mixed. Any treatment or processing is covered according to Paragraph 950 BGB without any obligation on our part. Furthermore is any resale prohibited.
10. Only goods specifically listed on the delivery note can be returned. Goods which have been damaged are non-returnable. The cost and risks of return freighting of the returned goods will be borne by the customer. Returned goods will be refunded less a deduction of 20% of the purchase price.
11. The relinquishing of claims against the customer which are due to us in the business relationship is excluded.
12. We will only be liable for deliberate or gross negligence of our agents and senior management, or vicarious agents and assistants. Otherwise any claims for damages arising from fault during the contract negotiations, from actual breach of contract, arising out of a punishable act, or contractual rights (such as consultation or information about qualities, applications, service requirements etc) are ruled out. In particular we will only be liable for consultations for which a separate payment was agreed.
13. Place of dispatch for all shipments and payments is Berlin, Germany. Sole place of jurisdiction is Amtsgericht Berlin-Charlottenburg.
14. The contractual relationship is governed by German law. The application of the uniform law governing the international purchase of movable objects is excluded.
15. Should any of the above stated provisions be either fully or in part invalid, the validity of the remaining provisions of contract shall not in any way be affected.

Office Richard-Wagner-Straße 51 | 10585 Berlin | Germany

Warehouse Hafenstraße 1 | 16727 Velten | Germany

Phone +49 (0)30 2000 578 80

E-mail vertrieb@rewald.eu

Internet www.rewald.eu



Further Catalogs

