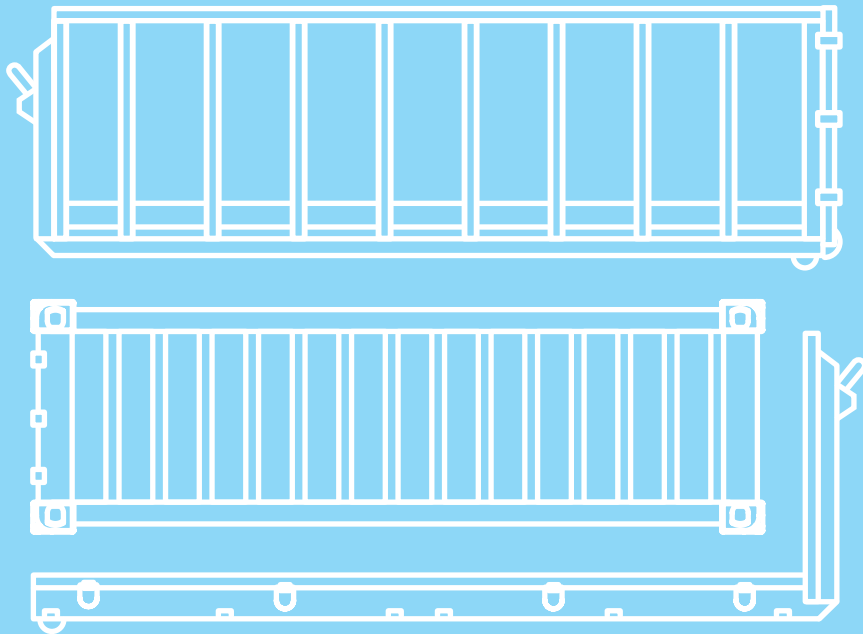


# Rewald<sup>®</sup>

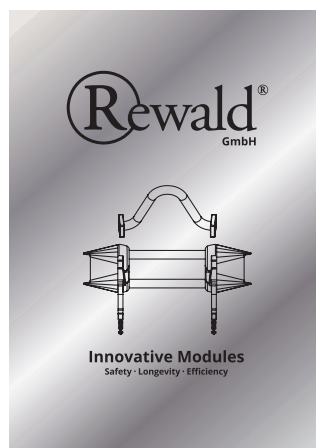
GmbH



**Components for Roll-off,  
ISO & Platform Containers**

**Catalog 2023**

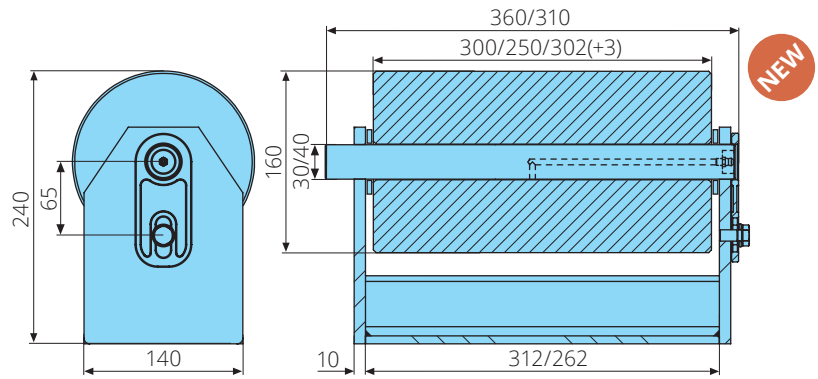
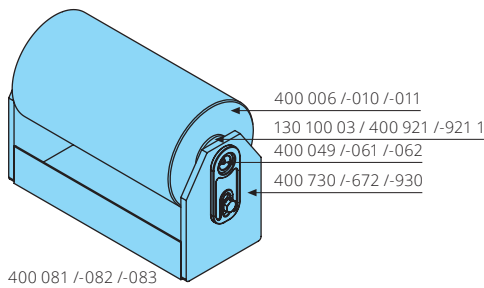
All Rewald Catalogs



## Contents

<b>Rollers</b>	<b>4 - 17</b>
<b>Hinges</b>	<b>18 - 20</b>
<b>Container doors</b>	<b>21</b>
<b>Container covers, tarpaulins &amp; nets</b>	<b>22 - 27</b>
<b>Ladders &amp; steps</b>	<b>28 - 31</b>
<b>Lid hydraulics &amp; jacks</b>	<b>32 - 41</b>
<b>Locks, keys &amp; anti theft devices</b>	<b>42 - 43</b>
<b>Locking devices</b>	<b>44 - 63</b>
<b>Lifting bars</b>	<b>64 - 75</b>
<b>Cargo securing</b>	<b>76 - 79</b>
<b>Ratchets &amp; accessories</b>	<b>80 - 81</b>
<b>Seals</b>	<b>82 - 83</b>
<b>Stickers</b>	<b>84 - 88</b>
<b>Custom order form / Order form / General terms &amp; conditions REWALD GmbH</b>	<b>89 - 91</b>

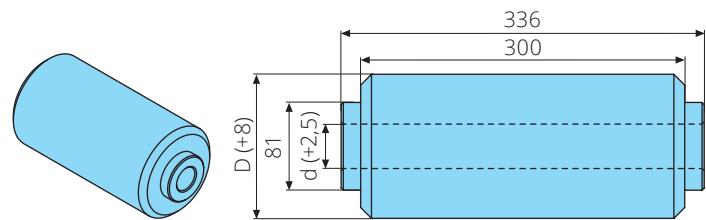
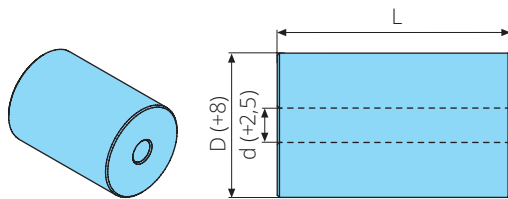
Polyamid rollers



Article no.	Product	Description
400 081	Polyamid roller complete	31-160-300mm, H=240mm, with lubrication, with 2 spacers 130 100 03
400 006	Polyamide roller	31-160-300mm
400 049	Axle for polyamide roller	30x360mm, with lubrication & safety catch, S355J2
400 730	Bracket for roller	d=31mm, for H=240mm, l=312mm, side plate t=10mm
130 100 03	Washer	31-56-4mm, galvanized, ISO 7090, 200 HV

Article no.	Product	Description
400 082	Polyamid roller complete	41-160-250mm, H=240mm, with lubrication, with 2 spacers 400 921
400 010	Polyamide roller	41-160-250mm
400 061	Axle for polyamide roller	40x310mm, with lubrication & safety catch, S355J2
400 672	Bracket for roller	d=41mm, for H=240mm, l=262mm, side plate t=15mm
400 921	Spacer	41-57(+3)-4mm

Article no.	Product	Description
400 083	Polyamid roller complete	41-160-302(+3)mm, H=240mm, with lubrication, with 2 spacers 400 921
400 011	Polyamide roller	41-160-302(+3)mm
400 062	Axle for polyamide roller	40x360mm, with lubrication & safety catch, S355J2
400 930	Bracket for roller	d=41mm, for H=240mm, l=312mm, side plate t=15mm
400 921 1	Washer	41(+)-57(+3)-2mm

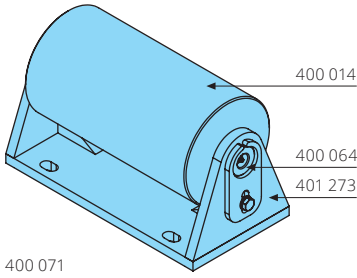


400 001 /-000 /-020 /-021 /-017 /-002 /-003 /-015 /-004 /-005 /-006  
400 018 /-019 /-007 /-008 /-016 /-009 /-010 /-011 /-013 /-022 /-014

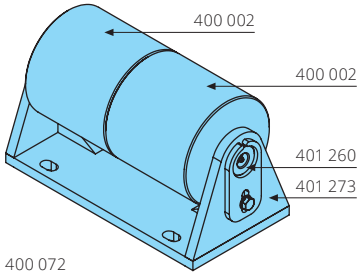
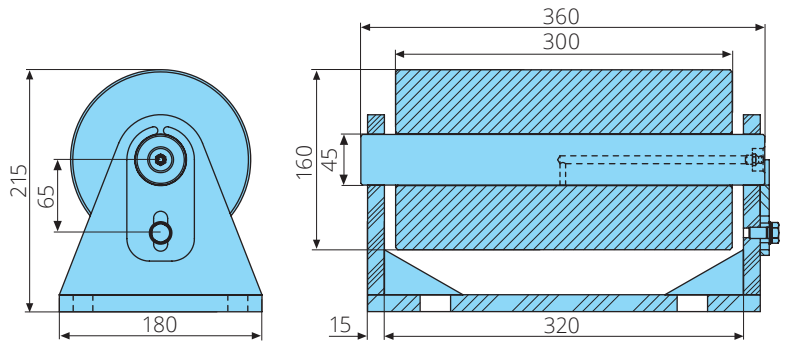
400 001 01 /-011 01

Article no.	Product	Description
400 001	Polyamide roller	31-130-180mm
400 000	Polyamide roller	31-130-210mm
400 020	Polyamide roller	31-150-150mm
400 021	Polyamide roller	31-150-250mm
400 017	Polyamide roller	31-160-50mm
400 002	Polyamide roller	31-160-120mm
400 003	Polyamide roller	31-160-150mm
400 015	Polyamide roller	31-160-170mm
400 004	Polyamide roller	31-160-200mm
400 005	Polyamide roller	31-160-250mm
400 006	Polyamide roller	31-160-300mm
400 018	Polyamide roller	36-160-300mm
400 001 01	Polyamide roller	41-133-300/336mm, step on both sides
400 019	Polyamide roller	41-160-50mm
400 007	Polyamide roller	41-160-120mm
400 008	Polyamide roller	41-160-150mm
400 016	Polyamide roller	41-160-170mm
400 009	Polyamide roller	41-160-200mm
400 010	Polyamide roller	41-160-250mm
400 011	Polyamide roller	41-160-302(+3)mm
400 011 01	Polyamide roller	41-160-300/336mm, step on both sides
400 013	Polyamide roller	41-200-300mm
400 022	Polyamide roller	46-160-150mm
400 014	Polyamide roller	46-160-300mm

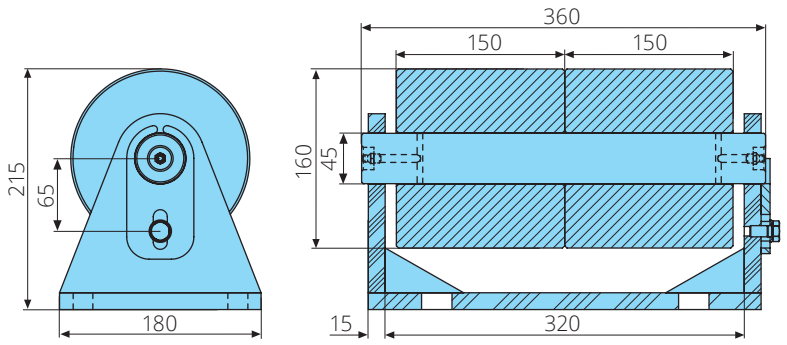
## Polyamide rollers for bolted mounting



400 071



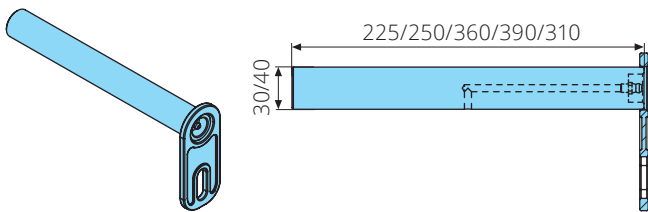
400 072



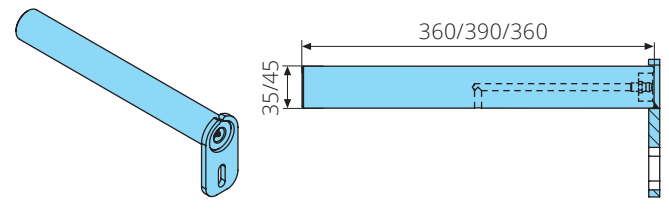
Article no.	Product	Description
400 071	Polyamide roller complete for bolted mounting	45-160-300mm, H=215mm, with lubrication
400 014	Polyamide roller	46-160-300mm
400 064	Axle for polyamide roller	45x360mm, with lubrication & safety catch, S355J2
401 273	Bracket for roller	d=46mm, for H=215mm, l=320mm, side plate t=15mm, for bolted mounting

Article no.	Product	Description
400 072	Polyamide roller complete for bolted mounting	45-160-300mm, H=215mm, with lubrication, roller divided
400 022	Polyamide roller	46-160-150mm
401 260	Axle	45x360mm, with lubrication & safety catch, S355J2
401 273	Bracket for roller	d=46mm, for H=215mm, l=320mm, side plate t=15mm, for bolted mounting

## Axles for polyamide rollers



400 047 /-048 /-049 /-050  
400 057 /-061 /-062 /-060

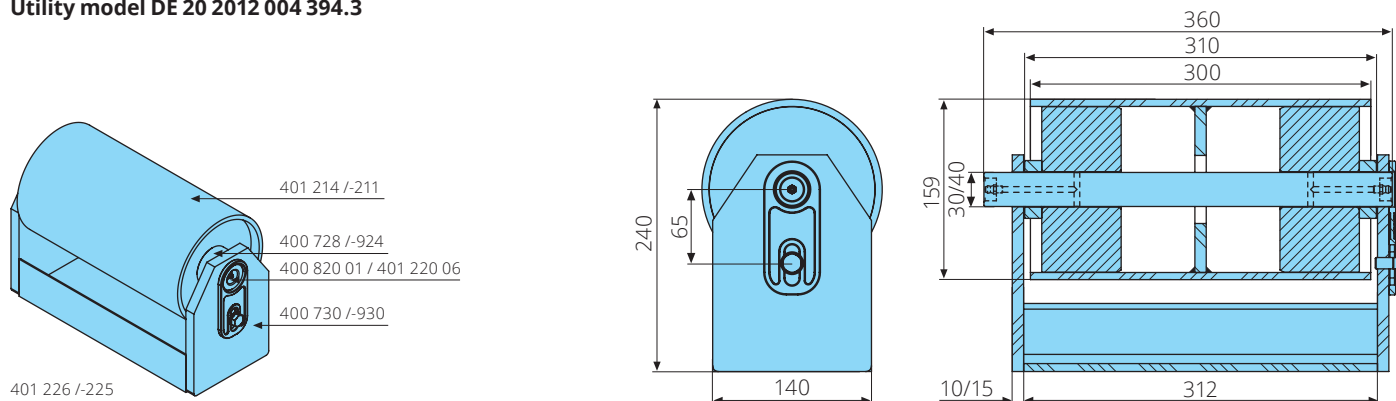


400 056 /-055 /-064 /-065

Article no.	Product	Description
400 047	Axle for polyamide roller	30x225mm, with lubrication & safety catch, S355J2
400 048	Axle for polyamide roller	30x250mm, with lubrication & safety catch, S355J2
400 049	Axle for polyamide roller	30x360mm, with lubrication & safety catch, S355J2
400 050	Axle for polyamide roller	30x390mm, with lubrication & safety catch, S355J2
400 056	Axle for polyamide roller	35x180mm, with lubrication & safety catch, S355J2
400 055	Axle for polyamide roller	35x390mm, with lubrication & safety catch, S355J2
400 057	Axle for polyamide roller	40x225mm, with lubrication & safety catch, S355J2
400 061	Axle for polyamide roller	40x310mm, with lubrication & safety catch, S355J2
400 062	Axle for polyamide roller	40x360mm, with lubrication & safety catch, S355J2
400 060	Axle for polyamide roller	40x390mm, with lubrication & safety catch, S355J2
400 064	Axle for polyamide roller	45x360mm, with lubrication & safety catch, S355J2
400 065	Axle for polyamide roller	45x390mm, with lubrication & safety catch, S355J2

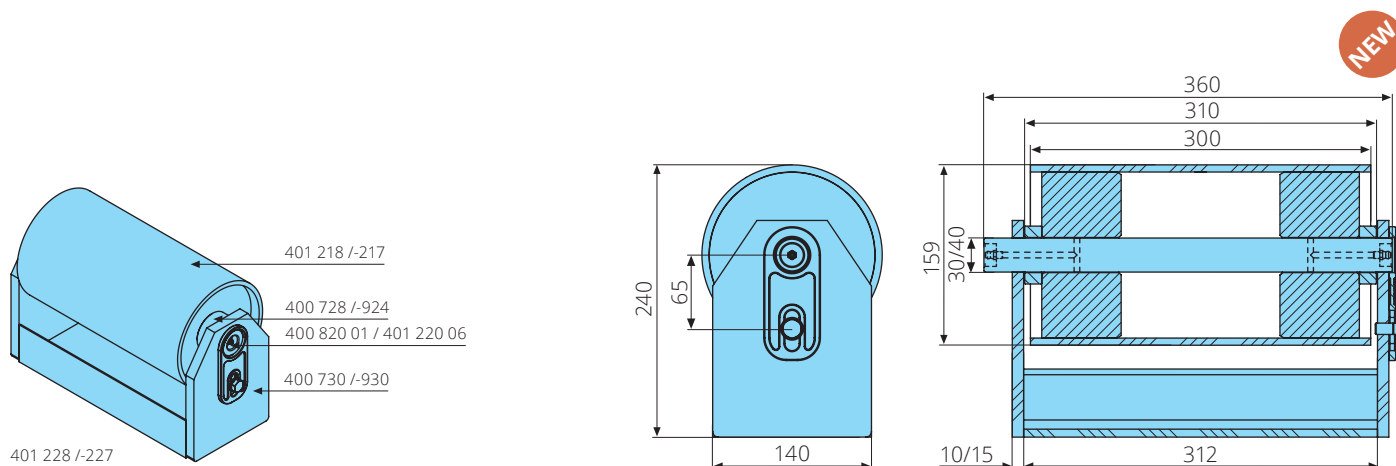
## Steel polyamide rollers

### Utility model DE 20 2012 004 394.3



Article no.	Product	Description
401 226	Steel polyamide roller complete	30-159-300/310mm, H=240mm, lubrication, with 2 shaft spacers 400 728
401 214	Steel polyamide roller	30-159-300/310mm, primed, with 2 shaft spacers 400 728
400 820 01	Axle	30x360mm, with lubrication & safety catch, S355J2
400 730	Bracket for roller	d=31mm, for H=240mm, l=312mm, side plate t=10mm
400 728	Axle spacer	31-51-15mm

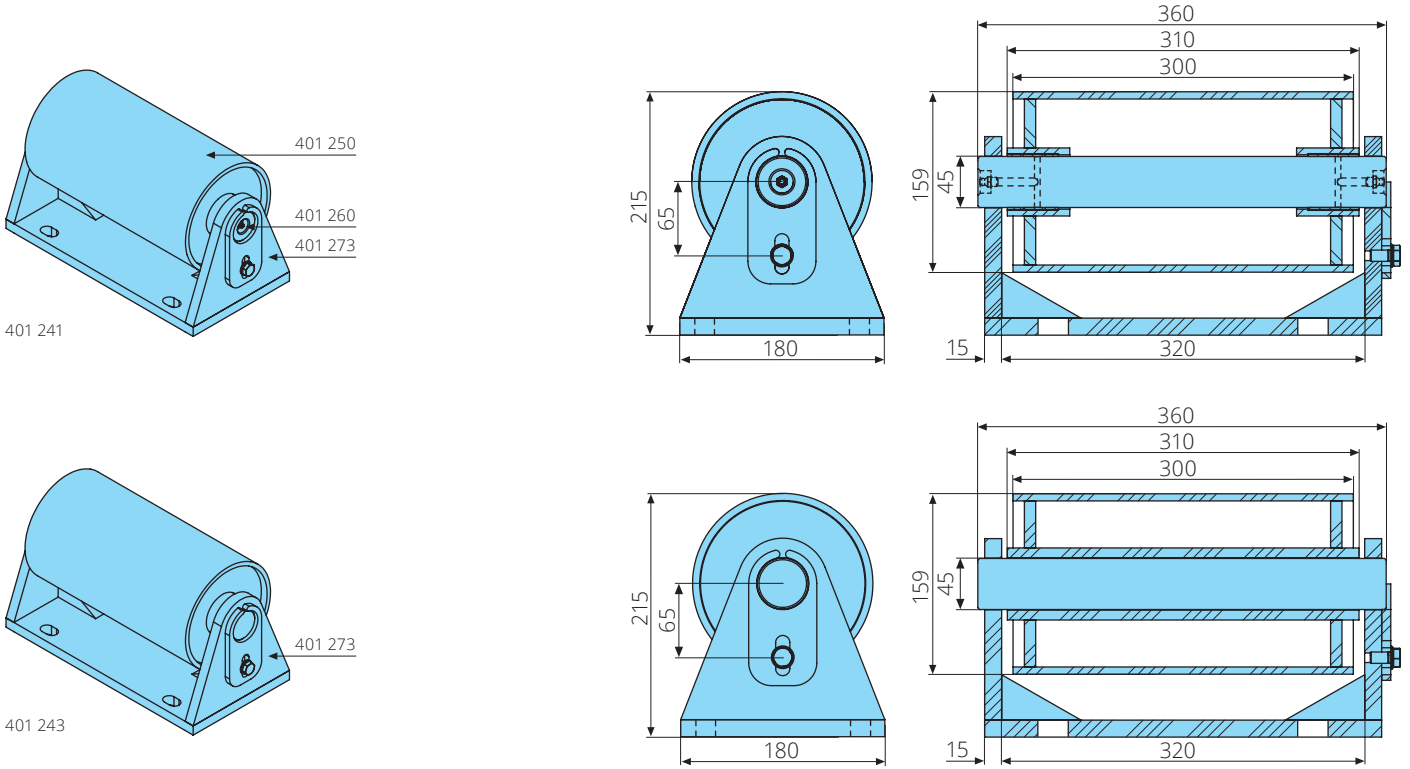
Article no.	Product	Description
401 225	Steel polyamide roller complete	40-159-300/310mm, H=240mm, lubrication, with 2 shaft spacers 400 924
401 211	Steel polyamide roller	40-159-300/310mm, primed, with 2 shaft spacers 400 924
401 220 06	Axle	40x360mm, with lubrication & safety catch, S355J2
400 930	Bracket for roller	d=41mm, for H=240mm, l=312mm, side plate t=15mm
400 924	Axle spacer	41(+2)-57(+3)-20mm



Article no.	Product	Description
401 228	Steel polyamide roller complete	30-159-300/310mm, H=240mm, lubrication, with 2 shaft spacers 400 728
401 218	Steel polyamide roller	30-159-300/310mm, primed, with 2 shaft spacers 400 728
400 820 01	Axle	30x360mm, with lubrication & safety catch, S355J2
400 730	Bracket for roller	d=31mm, for H=240mm, l=312mm, side plate t=10mm
400 728	Axle spacer	31-51-15mm

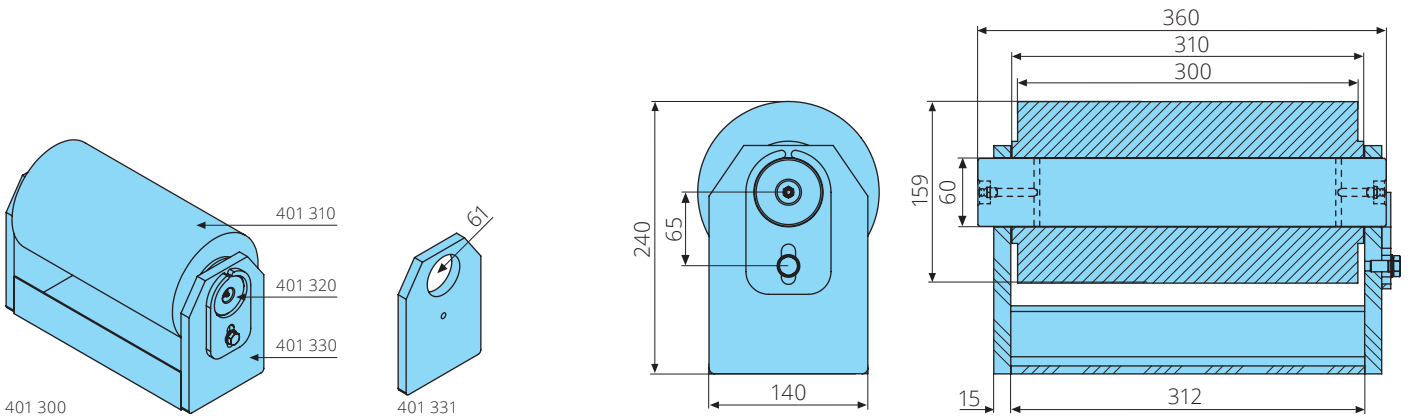
Article no.	Product	Description
401 227	Steel polyamide roller complete	40-159-300/310mm, H=240mm, lubrication, with 2 shaft spacers 400 924
401 217	Steel polyamide roller	40-159-300/310mm, primed, with 2 shaft spacers 400 924
401 220 06	Axle	40x360mm, with lubrication & safety catch, S355J2
400 930	Bracket for roller	d=41mm, for H=240mm, l=312mm, side plate t=15mm
400 924	Axle spacer	41(+2)-57(+3)-20mm

## Steel rollers for bolted mounting



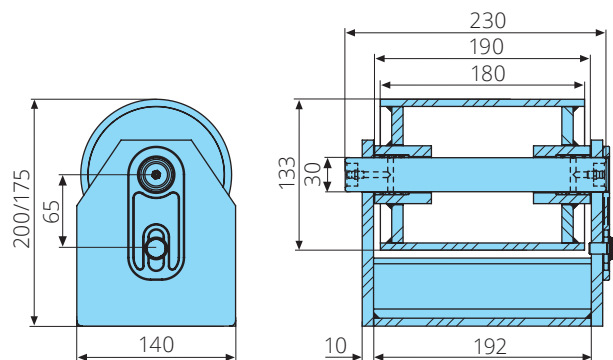
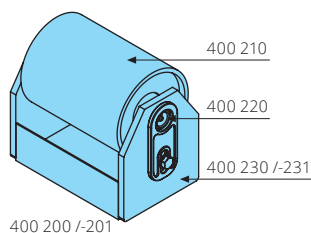
Article no.	Product	Description
401 241	Steel roller complete	45-159-300/310mm, H=215mm, with lubrication, brass bushing, for bolted mounting
401 250	Steel roller	45-159-300/310mm, brass bushing
401 260	Axle	45x360mm, with lubrication & safety catch, S355J2
401 273	Bracket for roller	d=46mm, for H=215mm, l=320mm, side plate t=15mm, for bolted mounting
Article no.	Product	Description
401 243	Steel roller complete	45-159-300/310mm, H=215mm, full sleeve tubing, for bolted mounting
401 273	Bracket for roller	d=46mm, for H=215mm, l=320mm, side plate t=15mm, for bolted mounting

## Solid rollers

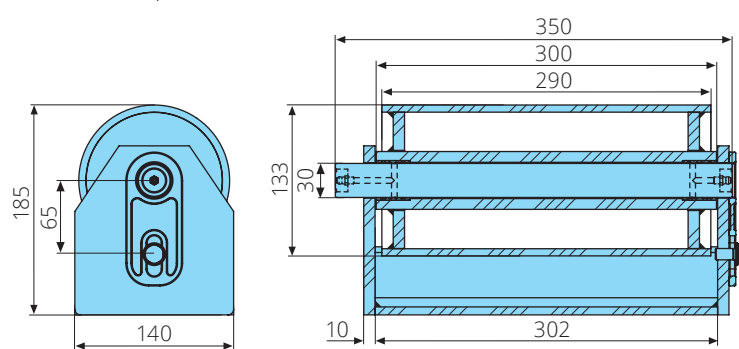
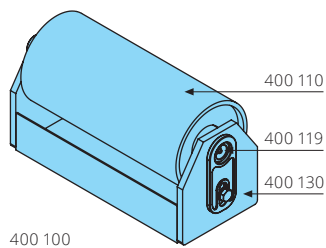


Article no.	Product	Description
401 300	Solid roller complete	60-159-300/310mm, H=240mm, lubrication
401 310	Solid roller	60-159-300/310mm
401 320	Axle	60x360mm, with lubrication & safety catch, hardened, 42CrMo4
401 330	Bracket for roller	d=61mm, for H=240mm, l=312mm, side plate t=15mm
401 331	Side plates for roller brackets	d=61mm, t=15mm

## City rollers / ACTS rollers

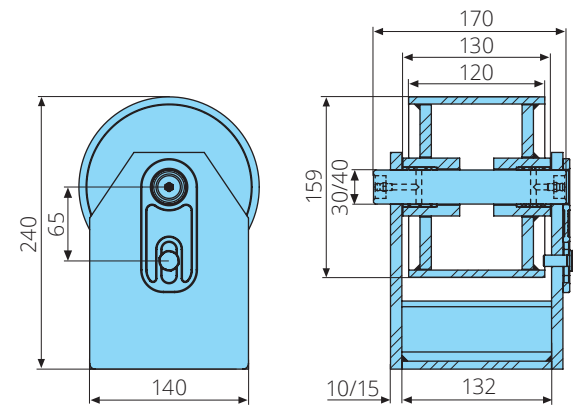
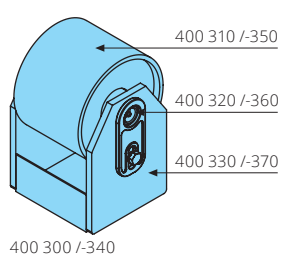


Article no.	Product	Description
400 200	City roller complete	30-133-180/190mm, H=200mm, lubrication, brass bushing
400 201	City roller complete	30-133-180/190mm, H=175mm, lubrication, brass bushing
400 210	City roller	30-133-180/190mm, brass bushing
400 220	Axle	30x230mm, with lubrication & safety catch, S355J2
400 230	Bracket for roller	d=31mm, for H=200mm, l=192mm, side plate t=10mm
400 231	Bracket for roller	d=31mm, for H=175mm, l=192mm, side plate t=10mm



Article no.	Product	Description
400 100	ACTS roller complete	30-133-290/300mm, H=185mm, lubrication, full sleeve tubing, brass bushing
400 110	ACTS roller	30-133-290/300mm, full sleeve tubing, brass bushing
400 119	Axle	30x350mm, with lubrication & safety catch, S355J2
400 130	Bracket for roller	d=31mm, for H=185mm, l=302mm, side plate t=10mm

## Steel rollers

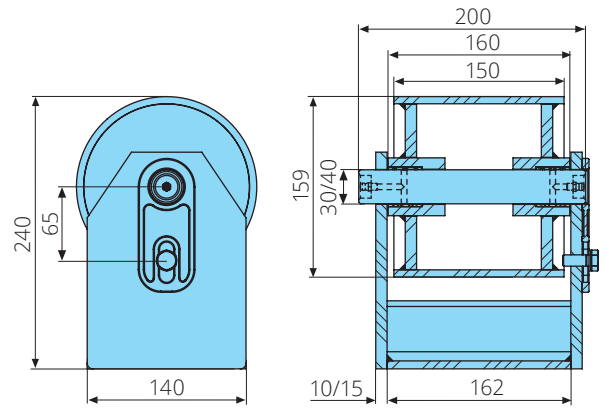
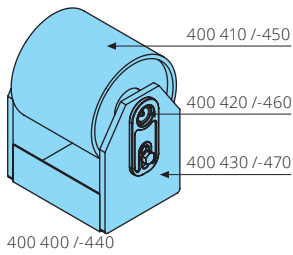


Article no.	Product	Description
400 300	Steel roller complete	30-159-120/130mm, H=240mm, lubrication, brass bushing
400 310	Steel roller	30-159-120/130mm, brass bushing
400 320	Axle	30x170mm, with lubrication & safety catch, S355J2
400 330	Bracket for roller	d=31mm, for H=240mm, l=132mm, side plate t=10mm
400 331	Bracket for roller	d=31mm, for H=200mm, l=132mm, side plate t=10mm

Article no.	Product	Description
400 340	Steel roller complete	40-159-120/130mm, H=240mm, lubrication, brass bushing
400 350	Steel roller	40-159-120/130mm, brass bushing
400 360	Axle	40x170mm, with lubrication & safety catch, S355J2
400 370	Bracket for roller	d=41mm, for H=240mm, l=132mm, side plate t=15mm

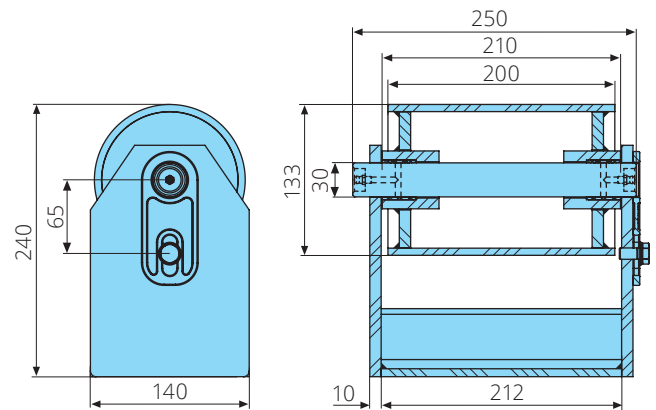
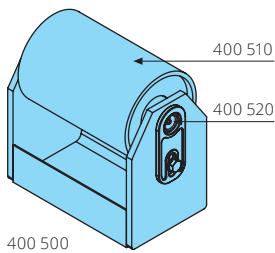


## Steel rollers

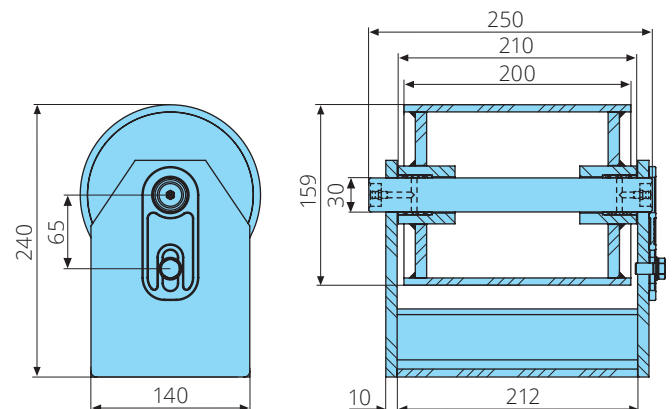
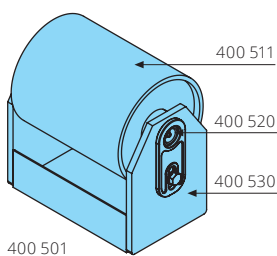


Article no.	Product	Description
400 400	Steel roller complete	30-159-150/160mm, H=240mm, lubrication, brass bushing
400 410	Steel roller	30-159-150/160mm, brass bushing
400 420	Axle	30x200mm, with lubrication & safety catch, S355J2
400 430	Bracket for roller	d=31mm, for H=240mm, l=162mm, side plate t=10mm
400 431	Bracket for roller	d=31mm, for H=220mm, l=162mm, side plate t=10mm

Article no.	Product	Description
400 440	Steel roller complete	40-159-150/160mm, H=240mm, lubrication, brass bushing
400 450	Steel roller	40-159-150/160mm, brass bushing
400 460	Axle	40x220mm, with lubrication & safety catch, S355J2
400 470	Bracket for roller	d=41mm, for H=240mm, l=162mm, side plate t=15mm

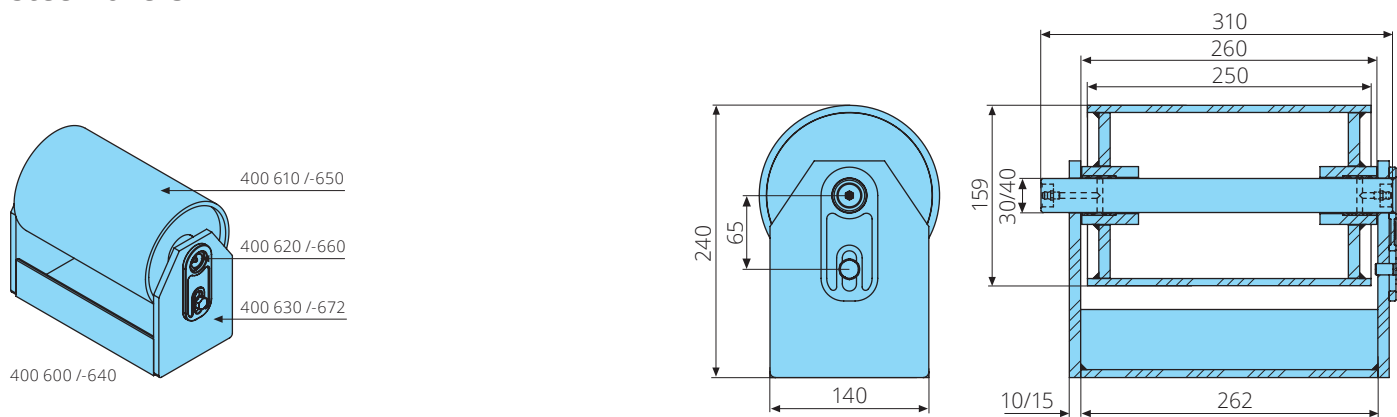


Article no.	Product	Description
400 500	Steel roller complete	30-133-200/210mm, H=240mm, lubrication, brass bushing
400 510	Steel roller	30-133-200/210mm, brass bushing
400 520	Axle	30x250mm, with lubrication & safety catch, S355J2



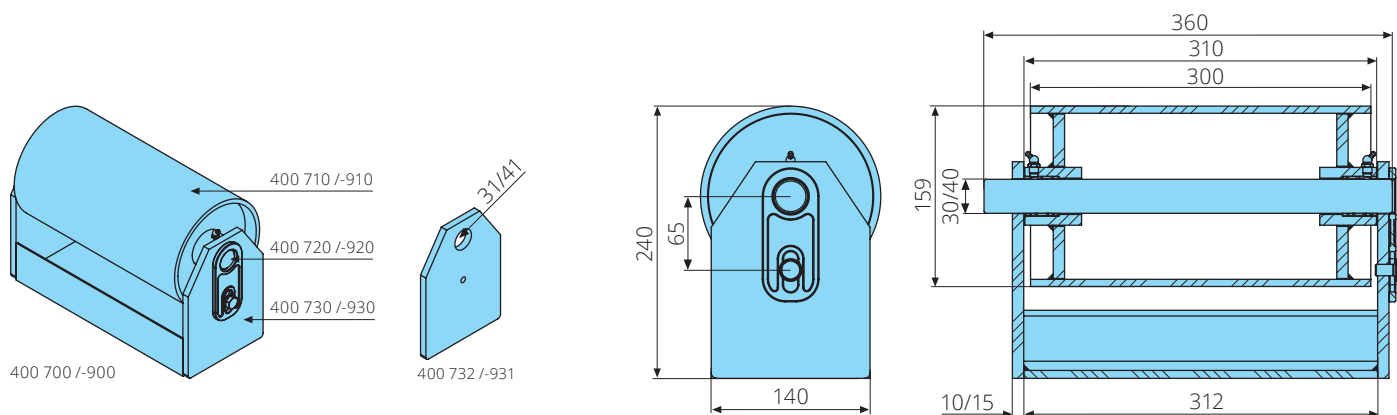
Article no.	Product	Description
400 501	Steel roller complete	30-159-200/210mm, H=240mm, lubrication, brass bushing
400 511	Steel roller	30-159-200/210mm, brass bushing
400 520	Axle	30x250mm, with lubrication & safety catch, S355J2
400 522	Axle	30x255mm, with safety catch, S355J2
400 530	Bracket for roller	d=31mm, for H=240mm, l=212mm, side plate t=10mm

Steel rollers



Article no.	Product	Description
400 600	Steel roller complete	30-159-250/260mm, H=240mm, lubrication, brass bushing
400 610	Steel roller	30-159-250/260mm, brass bushing
400 620	Axle	30x310mm, with lubrication & safety catch, S355J2
400 630	Bracket for roller	d=31mm, for H=240mm, l=262mm, side plate t=10mm

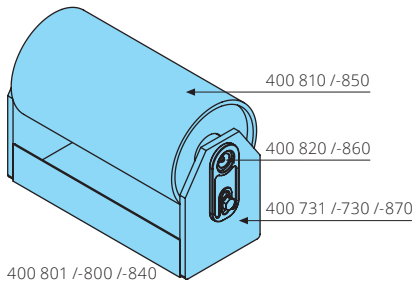
Article no.	Product	Description
400 640	Steel roller complete	40-159-250/260mm, H=240mm, lubrication, brass bushing
400 650	Steel roller	40-159-250/260mm, brass bushing
400 660	Axle	40x310mm, with lubrication & safety catch, S355J2
400 672	Bracket for roller	d=41mm, for H=240mm, l=262mm, side plate t=15mm



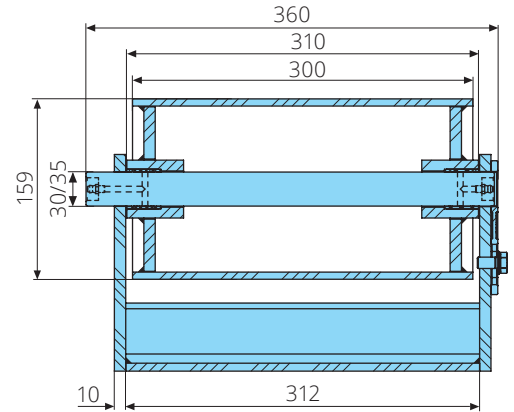
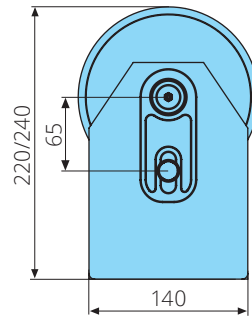
Article no.	Product	Description
400 700	Steel roller complete	30-159-300/310mm, H=240mm, bushing lubrication, brass bushing
400 710	Steel roller	30-159-300/310mm, bushing lubrication, brass bushing
400 720	Axle	30x360mm, with safety catch, S355J2
400 729	Axle	30x390mm, with safety catch, S355J2
400 722	Axle	30x420mm, with safety catch, S355J2
400 723	Axle	30x460mm, with safety catch, S355J2
400 730	Bracket for roller	d=31mm, for H=240mm, l=312mm, side plate t=10mm
400 732	Side plates for roller brackets	d=31mm, t=10mm

Article no.	Product	Description
400 900	Steel roller complete	40-159-300/310mm, H=240mm, bushing lubrication, brass bushing
400 910	Steel roller	40-159-300/310mm, bushing lubrication, brass bushing
400 920	Axle	40x360mm, with safety catch, S355J2
400 922	Axle	40x390mm, with safety catch, S355J2
400 930	Bracket for roller	d=41mm, for H=240mm, l=312mm, side plate t=15mm
400 931	Side plates for roller brackets	d=41mm, t=15mm

## Steel rollers

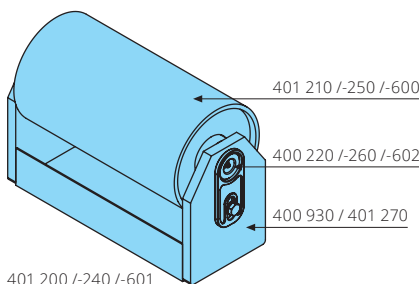


400 801 /-800 /-840

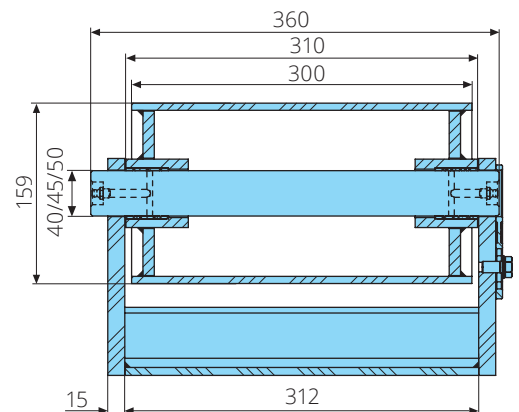
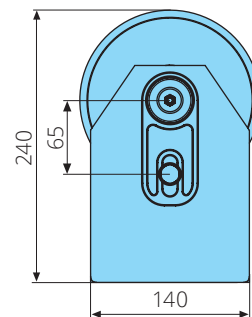
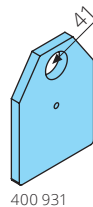


Article no.	Product	Description
400 801	Steel roller complete	30-159-300/310mm, H=220mm, lubrication, brass bushing
400 800	Steel roller complete	30-159-300/310mm, H=240mm, lubrication, brass bushing
400 810	Steel roller	30-159-300/310mm, brass bushing
400 820	Axle	30x360mm, with lubrication & safety catch, S355J2
400 821	Axle	30x390mm, with lubrication & safety catch, S355J2
400 822	Axle	30x460mm, with lubrication & safety catch, S355J2
400 731	Bracket for roller	d=31mm, for H=220mm, l=312mm, side plate t=10mm
400 730	Bracket for roller	d=31mm, for H=240mm, l=312mm, side plate t=10mm

Article no.	Product	Description
400 840	Steel roller complete	35-159-300/310mm, H=240mm, lubrication, brass bushing
400 850	Steel roller	35-159-300/310mm, brass bushing
400 851	Steel roller	35-159-300/310mm, brass bushing, full sleeve tubing
400 860	Axle	35x360mm, with lubrication & safety catch, S355J2
400 865	Axle	35x390mm, with lubrication & safety catch, S355J2
400 870	Bracket for roller	d=36mm, for H=240mm, l=312mm, side plate t=10mm



401 200 /-240 /-601

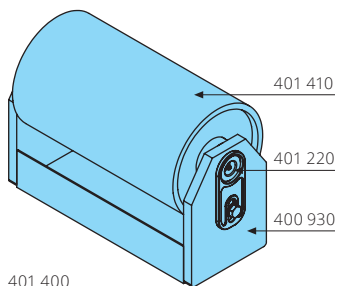


Article no.	Product	Description
401 200	Steel roller complete	40-159-300/310mm, H=240mm, lubrication, brass bushing
401 210	Steel roller	40-159-300/310mm, brass bushing
401 220	Axle	40x360mm, with lubrication & safety catch, S355J2
401 221	Axle	40x390mm, with extended lubrication & safety catch, S355J2
400 930	Bracket for roller	d=41mm, for H=240mm, l=312mm, side plate t=15mm
400 931	Side plates for roller brackets	d=41mm, t=15mm

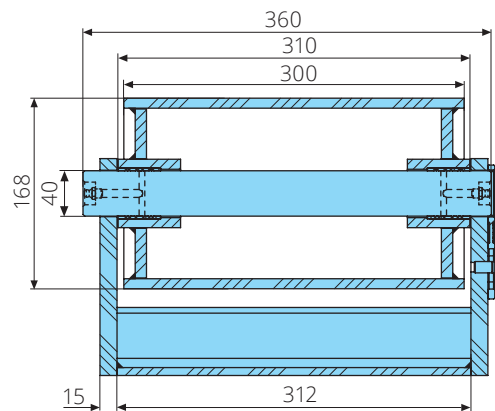
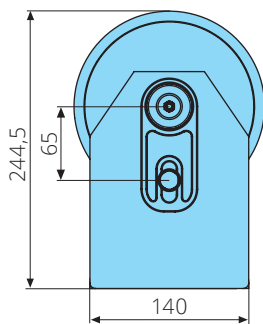
Article no.	Product	Description
401 240	Steel roller complete	45-159-300/310mm, H=240mm, lubrication, brass bushing
401 250	Steel roller	45-159-300/310mm, brass bushing
401 260	Axle	45x360mm, with lubrication & safety catch, S355J2
401 262	Axle	45x390mm, with lubrication & safety catch, S355J2
401 270	Bracket for roller	d=46mm, for H=240mm, l=312mm, side plate t=15mm

Article no.	Product	Description
401 601	Steel roller complete	50-159-300/310mm, H=240mm, lubrication, brass bushing
401 600	Steel roller	50-159-300/310mm, brass bushing
401 602	Axle	50x360mm, with lubrication & safety catch, S355J2
401 602 02	Axle	50x390mm, with lubrication & safety catch, S355J2

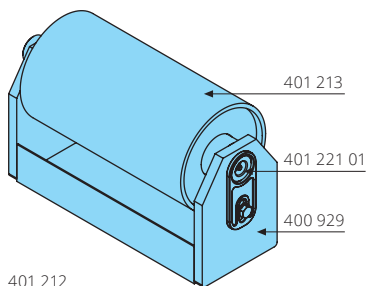
Steel rollers



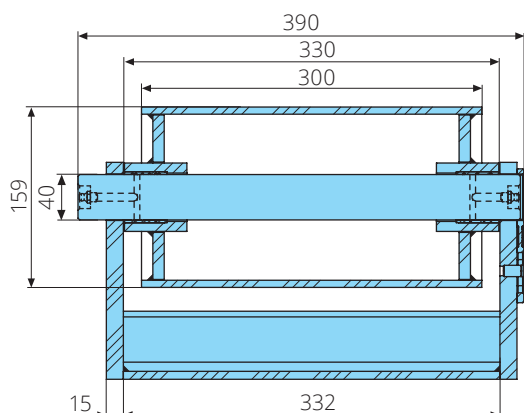
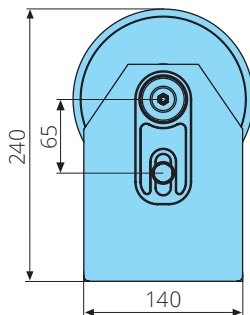
401 400



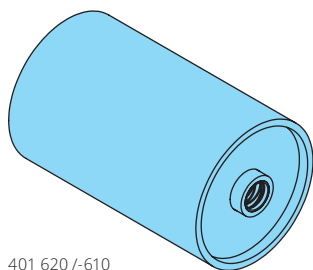
Article no.	Product	Description
401 400	Steel roller complete	40-168-300/310mm, H=244,5mm, lubrication, brass bushing
401 410	Steel roller	40-168-300/310mm, brass bushing
401 220	Axle	40x360mm, with lubrication & safety catch, S355J2
400 930	Bracket for roller	d=41mm, for H=240mm, l=312mm, side plate t=15mm



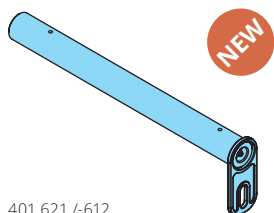
401 212



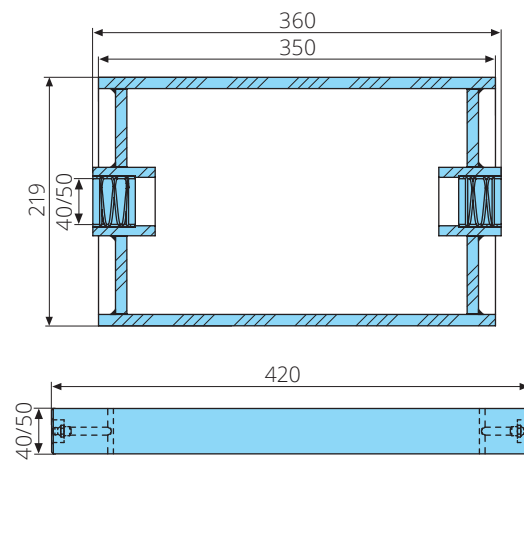
Article no.	Product	Description
401 212	Steel roller complete	40-159-300/330mm, H=240mm, lubrication, brass bushing
401 213	Steel roller	40-159-300/330mm, brass bushing
401 221 01	Axle	40x390mm, with lubrication & safety catch, S355J2
400 929	Bracket for roller	d=41mm, for H=240mm, l=332mm, side plate t=15mm



401 620 /-610



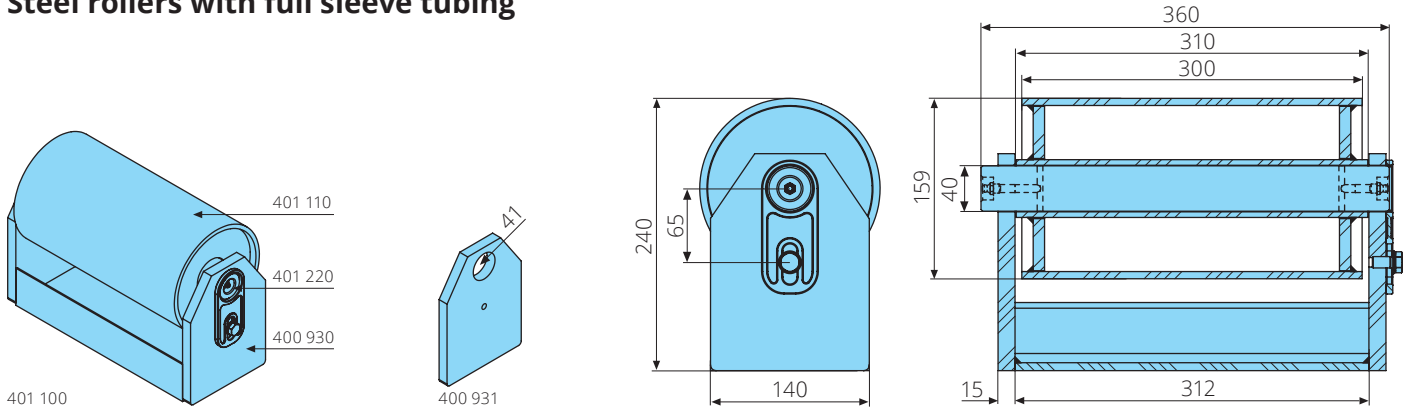
401 621 /-612



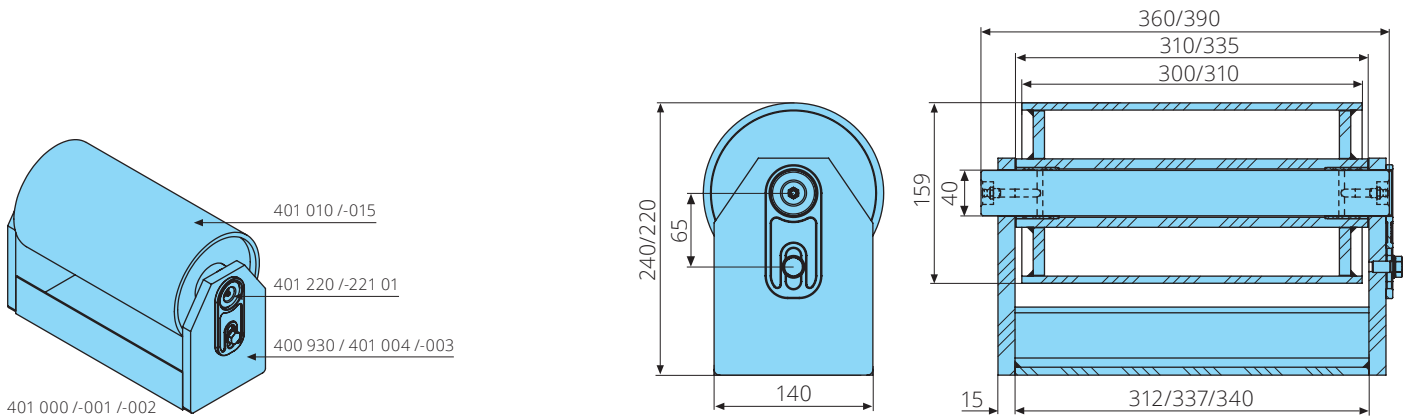
Article no.	Product	Description
401 620	Steel roller	40-219-350/390mm, brass bushing
401 621	Axle	30x295mm, with lubrication & safety catch, S355J2

Article no.	Product	Description
401 610	Steel roller	50-219-350/360mm, brass bushing
401 612	Axle	50x360mm, with lubrication & safety catch, S355J2

## Steel rollers with full sleeve tubing



Article no.	Product	Description
401 100	Steel roller complete	40-159-300/310mm, H=240mm, full sleeve tubing, lubrication
401 110	Steel roller	40-159-300/310mm, full sleeve tubing
401 011	Steel roller	40-159-300/310mm, full sleeve tubing, side disc t=16mm, tread t=10mm
401 220	Axle	40x360mm, with lubrication & safety catch, S355J2
400 930	Bracket for roller	d=41mm, for H=240mm, l=312mm, side plate t=15mm
400 931	Side plates for roller brackets	d=41mm, t=15mm



Article no.	Product	Description
401 000	Steel roller complete	40-159-300/310mm, H=240mm, full sleeve tubing, lubrication, brass bushing
401 010	Steel roller	40-159-300/310mm, full sleeve tubing, brass bushing
401 220	Axle	40x360mm, with lubrication & safety catch, S355J2
400 930	Bracket for roller	d=41mm, for H=240mm, l=312mm, side plate t=15mm

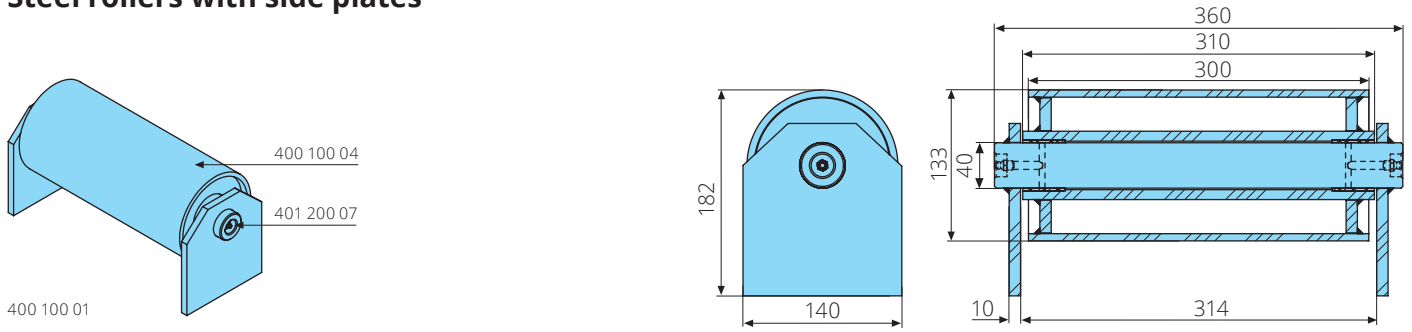
Article no.	Product	Description
401 001	Steel roller complete	40-159-310/335mm, H=220mm, full sleeve tubing, lubrication, brass bushing
401 002	Steel roller complete	40-159-310/335mm, H=240mm, full sleeve tubing, lubrication, brass bushing
401 015	Steel roller	40-159-310/335mm, full sleeve tubing, brass bushing
401 221 01	Axle	40x390mm, with lubrication & safety catch, S355J2
401 004	Bracket for roller	d=41mm, for H=240mm, l=337mm, side plate t=15mm
401 003	Bracket for roller	d=41mm, for H=240mm, l=340mm, side plate t=15mm



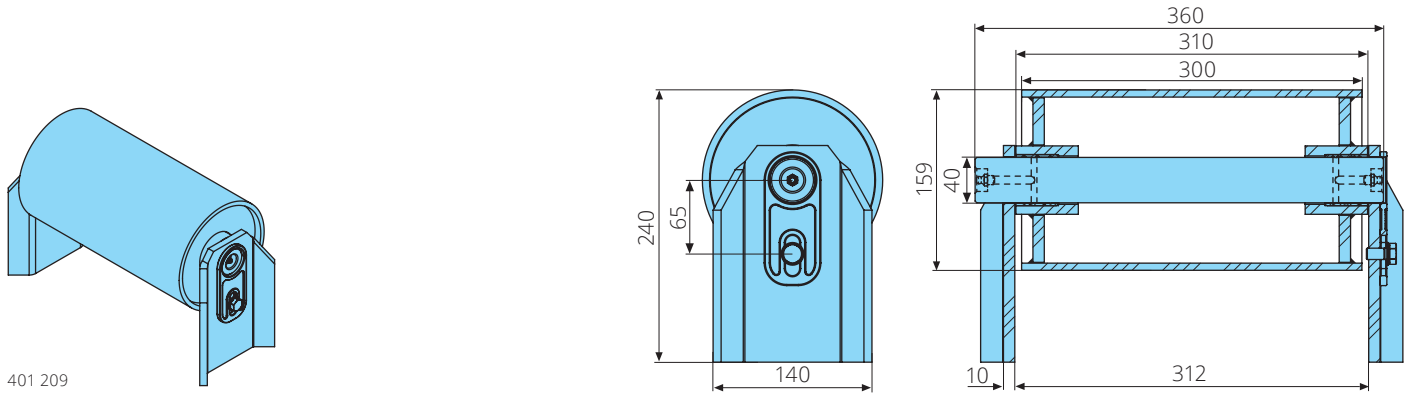
Article no.	Product	Description
400 851	Steel roller	35-159-300/310mm, brass bushing, full sleeve tubing
400 860	Axle	35x360mm, with lubrication & safety catch, S355J2
400 870	Bracket for roller	d=36mm, for H=240mm, l=312mm, side plate t=10mm

Article no.	Product	Description
401 111	Steel roller	40-159-300/310mm, full sleeve tubing, brass bushing
401 260	Axle	45x360mm, with lubrication & safety catch, S355J2
401 270	Bracket for roller	d=46mm, for H=240mm, l=312mm, side plate t=15mm

Steel rollers with side plates

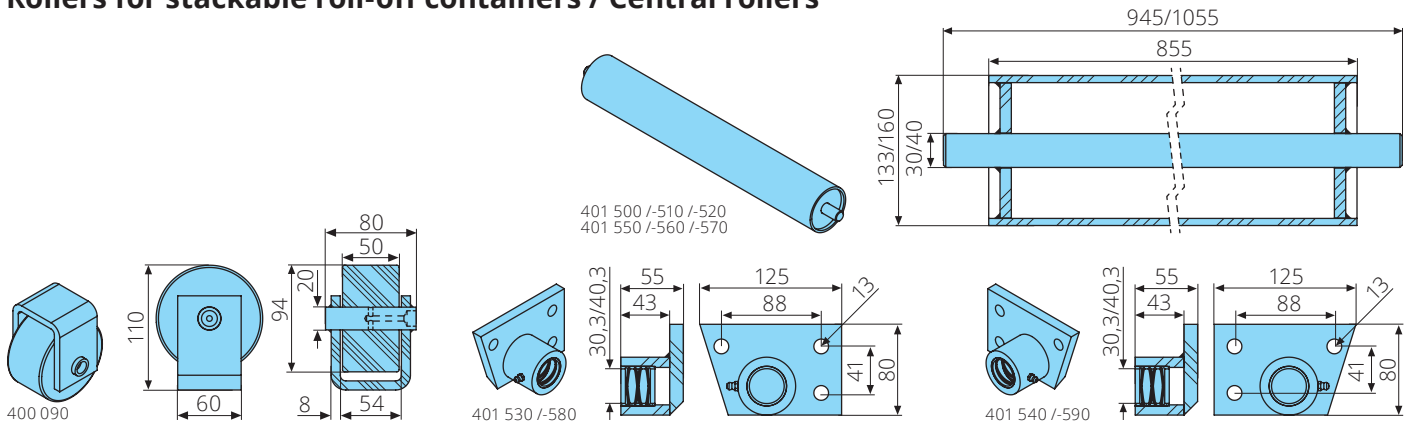


Article no.	Product	Description
400 100 01	Steel roller complete	40-133-300/310mm, H=182mm, lubrication, full sleeve tubing, brass bushing
400 100 04	Steel roller	30-133-300/310mm, full sleeve tubing, brass bushing
401 200 07	Axle	40x360mm, lubrication, S355J2



Article no.	Product	Description
401 209	Steel roller complete	40-159-300/310mm, H=240mm, lubrication, brass bushing

Rollers for stackable roll-off containers / Central rollers

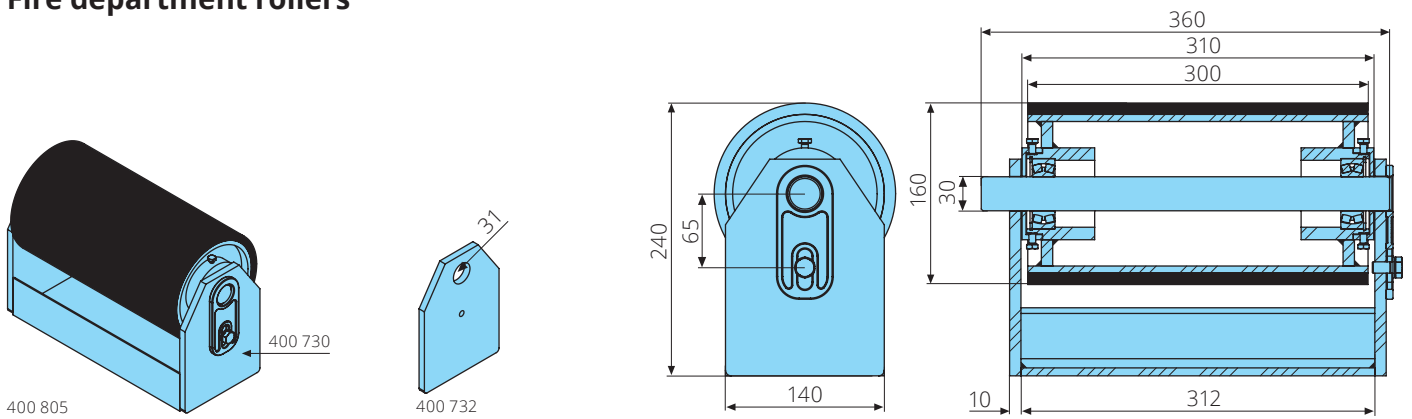


Article no.	Product	Description
400 090	Roller complete for stackable roll-off containers	20-94-50/80mmmm, H=110mm, with lubrication

Article no.	Product	Description
401 500	Central roller	30-133-855/945mm
401 510	Central roller	30-160-855/945mm
401 520	Central roller	30-160-855/1055mm
401 530	Bearing for central roller	d=30,3mm, left, for central roller, lubrication, brass bushing
401 540	Bearing for central roller	d=30,3mm, right, for central roller, lubrication, brass bushing

Article no.	Product	Description
401 550	Central roller	40-133-855/945mm
401 560	Central roller	40-160-855/945mm
401 570	Central roller	40-160-855/1055mm
401 580	Bearing for central roller	d=40,3mm, left, for central roller, lubrication, brass bushing
401 590	Bearing for central roller	d=40,3mm, right, for central roller, lubrication, brass bushing

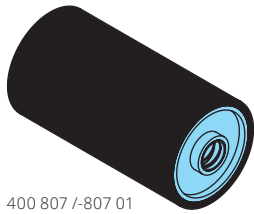
## Fire department rollers



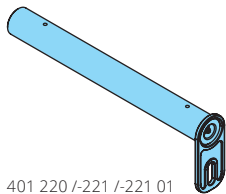
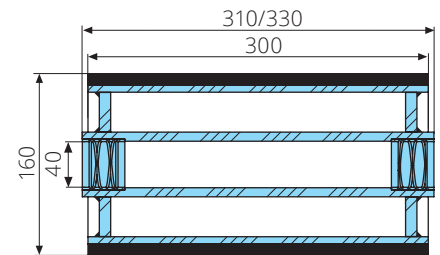
400 805

400 732

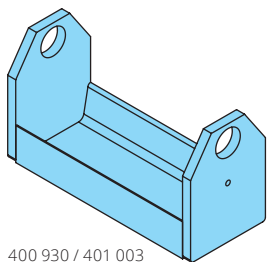
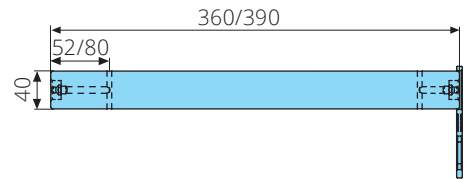
Article no.	Product	Description
400 805	Fire department roller complete	30-159-300/310mm, H=240mm, load capacity 8t, tread polyurethan coated, ball bearing
400 730	Bracket for roller	d=31mm, for H=240mm, l=312mm, side plate t=10mm
400 732	Side plates for roller brackets	d=31mm, t=10mm



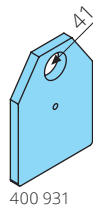
400 807 /-807 01



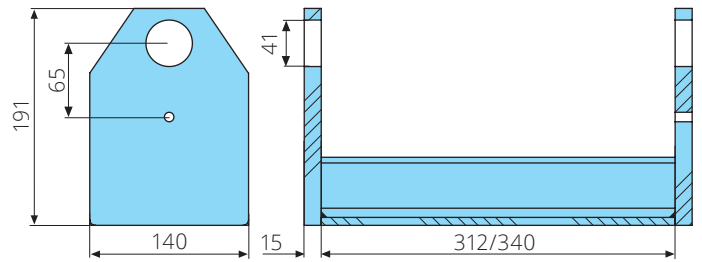
401 220 /-221 /-221 01



400 930 / 401 003



400 931

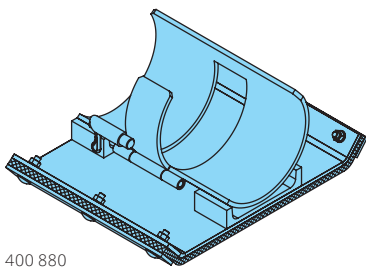


Article no.	Product	Description
400 807	Fire department roller	40-160-300/310mm, load capacity 8t, tread polyurethan coated, brass bushing, full sleeve tubing
401 220	Axle	40x360mm, with lubrication & safety catch, S355J2
400 930	Bracket for roller	d=41mm, for H=240mm, l=312mm, side plate t=15mm
400 931	Side plates for roller brackets	d=41mm, t=15mm

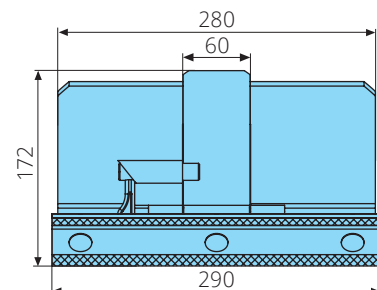
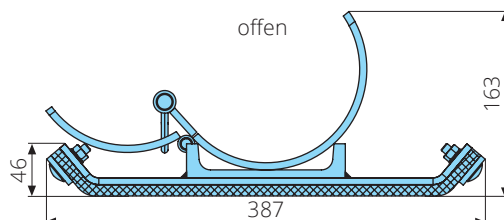
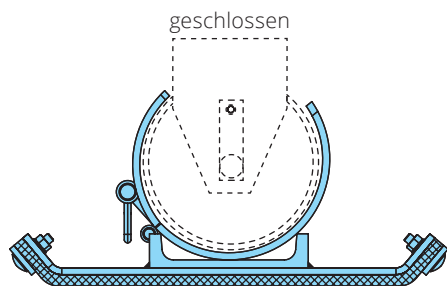
Article no.	Product	Description
400 807 01	Fire department roller	40-160-300/330mm, load capacity 8t, tread polyurethan coated, brass bushing, full sleeve tubing
401 221	Axle	40x390mm, with extended lubrication & safety catch, S355J2
401 221 01	Axle	40x390mm, with lubrication & safety catch, S355J2
401 003	Bracket for roller	d=41mm, for H=240mm, l=340mm, side plate t=15mm
400 931	Side plates for roller brackets	d=41mm, t=15mm

Steel rollers with side plates / Rollers for stackable roll-off containers / Central rollers / Fire department rollers

## Steel roller floor guards

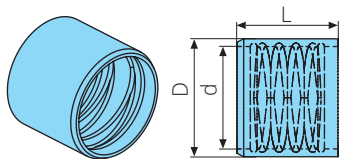


400 880

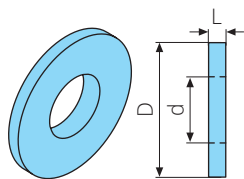


Article no.	Product	Description
400 880	Steel roller floor guard	left, for roller diameter 159mm
400 881	Steel roller floor guard	right, for roller diameter 159mm

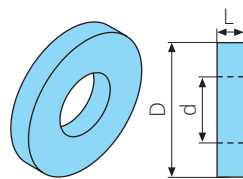
## Accessories for rollers



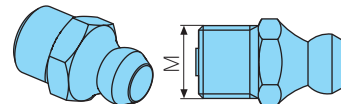
400 111 01 /-863 01 /-911 01  
401 250 02 /-611 01



400 726 / 130 100 03 / 400 725 /-861 /-923  
400 921 1 /-921 /-921 2 / 401 265 /-266



400 728 /-862 /-924  
400 266 /-925



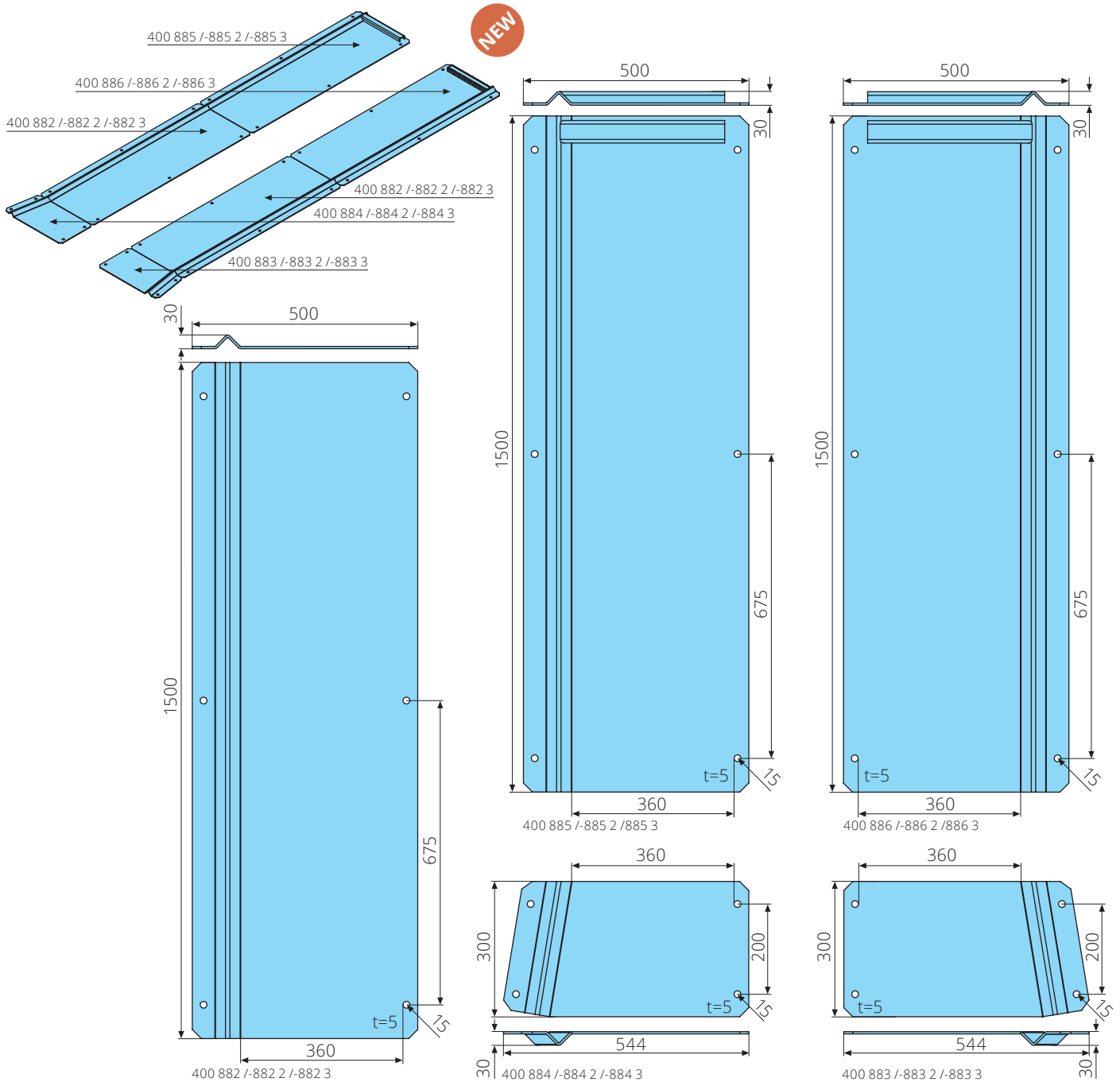
400 040 /-041 /-041 01 /-042

Article no.	Product	Description (dxDxL)
400 111 01	Brass bushing	30(+0,75)-35-30mm
400 863 01	Brass bushing	35(+0,75)-40-30mm
400 911 01	Brass bushing	40(+0,75)-45-37,5mm
401 250 02	Brass bushing	45(+0,75)-50-45mm
401 611 01	Brass bushing	50(+0,75)-55-50mm
400 726	Spacer	31-51-10mm
130 100 03	Washer	31-56-4mm, galvanized, ISO 7090, 200 HV
400 725	Spacer	31-56-8mm
400 861	Spacer	36(+1)-56(+2)-4mm
400 923	Spacer	41-50-10mm
400 921 1	Washer	41(+2)-57(+3)-2mm
400 921	Spacer	41-57(+3)-4mm
400 921 2	Washer	41-57(+3)-8mm
401 265	Spacer	46-60-3mm
401 266	Spacer	46-60-10mm
400 728	Axle spacer	31-51-15mm
400 862	Axle spacer	36-56-15mm
400 924	Axle spacer	41(+2)-57(+3)-20mm
400 266	Axle spacer	46-62-20mm
400 925	Axle spacer	46-70-20mm

Article no.	Product	Description
400 040	Grease fitting	M6x1mm, straight, PU 100 pieces
400 041	Grease fitting	M8x1mm, straight, PU 100 pieces
400 041 01	Grease fitting	M8x1,25mm, straight, PU 100 pieces
400 042	Grease fitting	M10x1mm, straight, PU 100 pieces



## Shunting aids

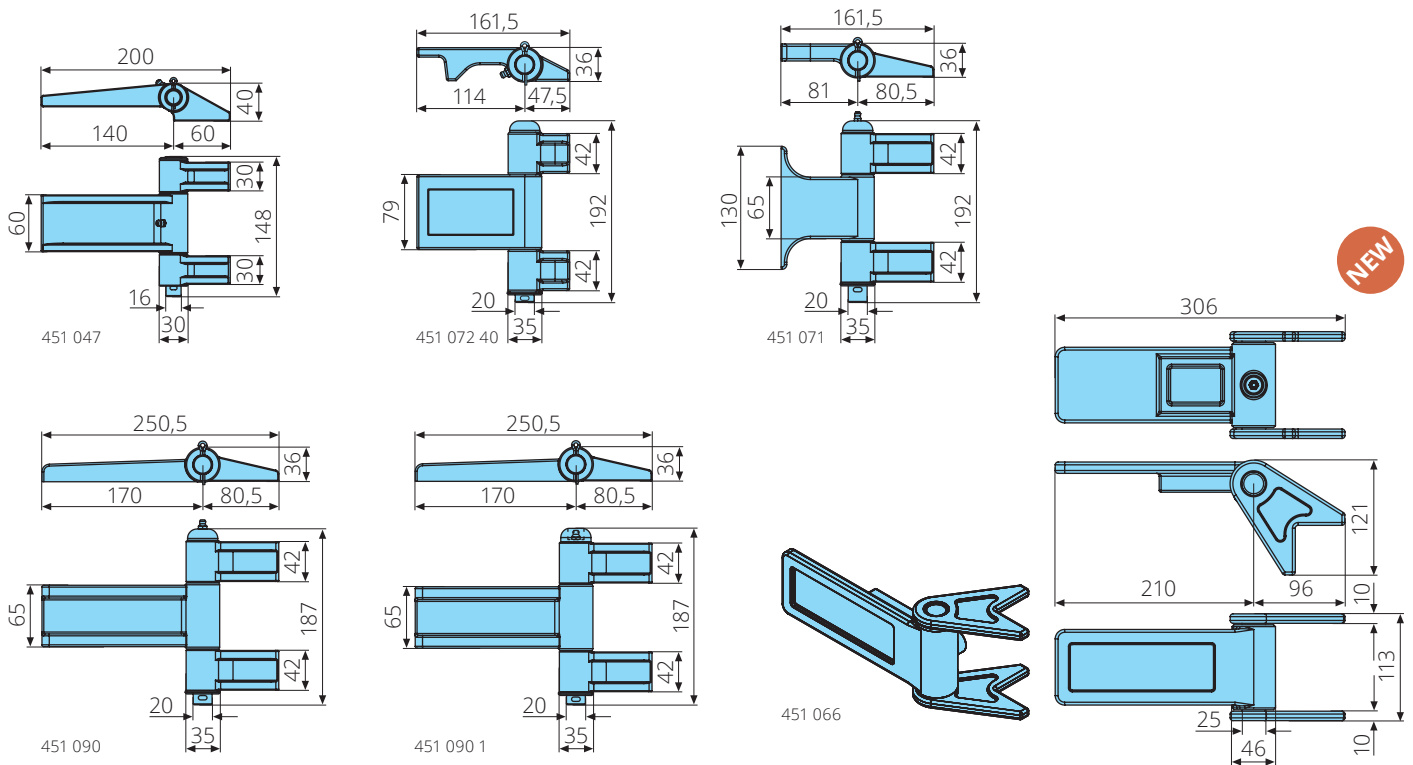


Article no.	Product	Description
400 882	Shunting aid	1500x500x30mm, left/right, raw
400 885	Shunting aid with stop	1500x500x30mm, left, raw
400 886	Shunting aid with stop	1500x500x30mm, right, raw
400 884	Shunting aid	300x544x30mm, front left/rear right, raw
400 883	Shunting aid	300x544x30mm, front right/rear left, raw

Article no.	Product	Description
400 882 2	Shunting aid	1500x500x30mm, left/right, stainless steel
400 885 2	Shunting aid with stop	1500x500x30mm, left, stainless steel
400 886 2	Shunting aid with stop	1500x500x30mm, right, stainless steel
400 884 2	Shunting aid	300x544x30mm, front left/rear right, stainless steel
400 883 2	Shunting aid	300x544x30mm, front right/rear left, stainless steel

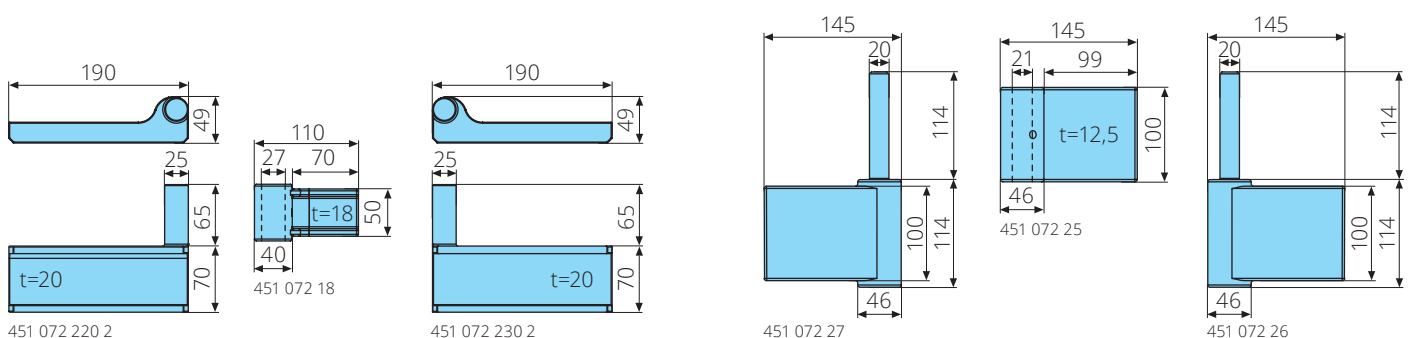
Article no.	Product	Description
400 882 3	Shunting aid	1500x500x30mm, left/right, galvanized
400 885 3	Shunting aid with stop	1500x500x30mm, left, galvanized
400 886 3	Shunting aid with stop	1500x500x30mm, right, galvanized
400 884 3	Shunting aid	300x544x30mm, front left/rear right, galvanized
400 883 3	Shunting aid	300x544x30mm, front right/rear left, galvanized

Hinges for roll-off containers



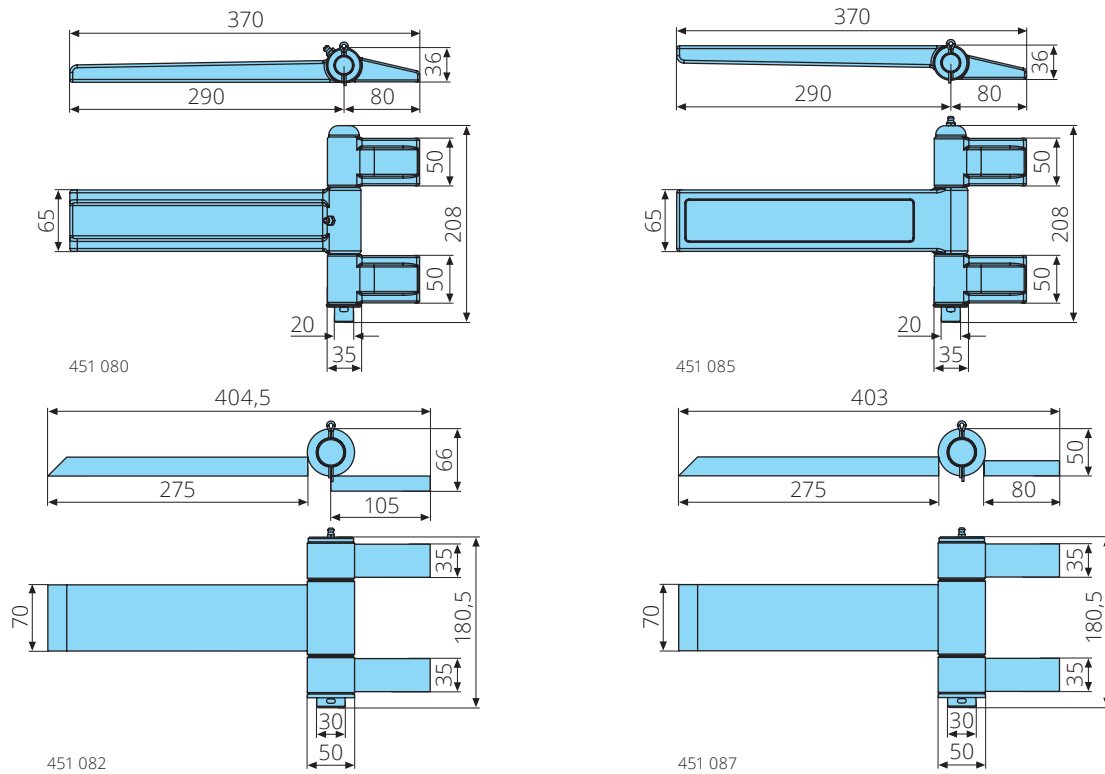
Article no.	Product	Description
451 047	Hinge	30x148x200mm, left, for city container, bushing lubrication, cast steel
451 048	Hinge	30x148x200mm, right, for city container, bushing lubrication, cast steel
Article no.	Product	Description
451 072 40	Hinge	35x192x161,5mm, left, bushing lubrication
451 072 41	Hinge	35x192x161,5mm, right, bushing lubrication
451 071	Hinge	35x192x161,5mm, left, lubrication
451 072	Hinge	35x192x161,5mm, right, lubrication
Article no.	Product	Description
451 090	Hinge	35x187x250,5mm, left, forged, heavy duty version, lubrication
451 091	Hinge	35x187x250,5mm, right, forged, heavy duty version, lubrication
451 090 1	Hinge	35x187x250,5mm, left, forged, heavy duty version, lubrication, grease fitting flush
451 091 1	Hinge	35x187x250,5mm, right, forged, heavy duty version, lubrication, grease fitting flush

Article no.	Product	Description
451 066	Hinge	46x360x113mm, left/right, forged, bushing lubrication



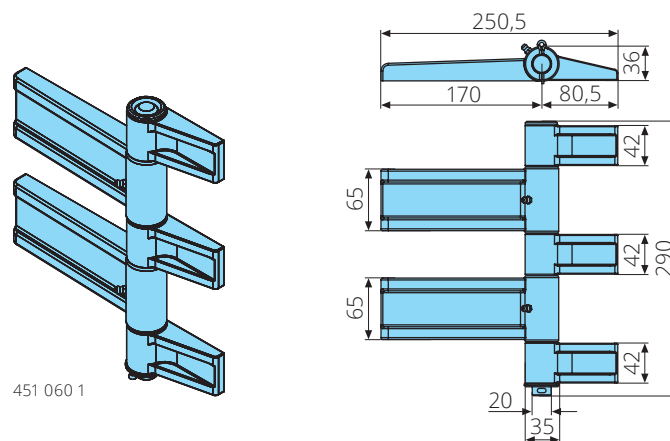
Article no.	Product	Description
451 072 220 2	Scharnier	49x135x190mm, bottom left, for hinges 451 072 18
451 072 18	Hinge	40x50x110mm, top, for hinges 451 072 22 02 /-23 02
451 072 230 2	Scharnier	49x135x190mm, bottom right, for hinges 451 072 18
Article no.	Product	Description
451 072 27	Hinge	46x228x145mm, bottom left, for hinge 451 072 25
451 072 25	Hinge	46x100x145mm, top, for hinges 451 072 27 /-26
451 072 26	Hinge	46x228x145mm, bottom right, for hinge 451 072 25

## Hinges for roll-off containers



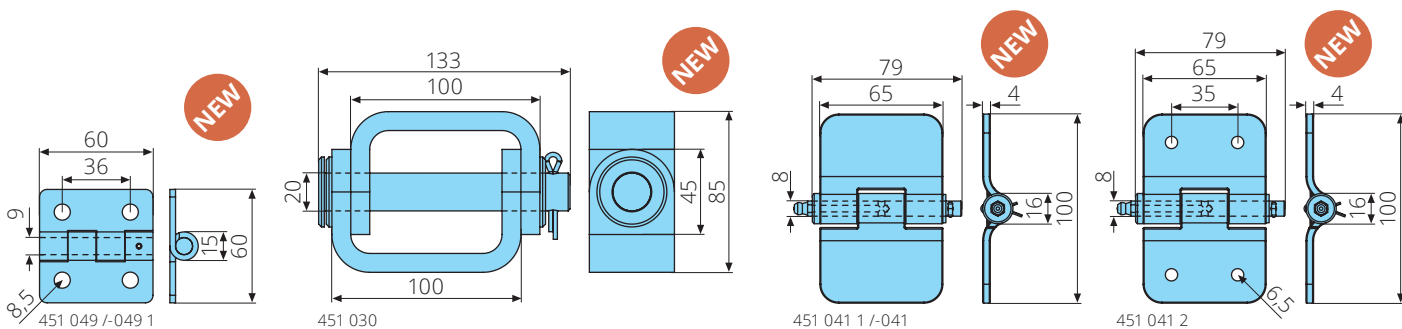
Article no.	Product	Description
451 080	Hinge	35x208x370mm, left, forged, heavy duty version, bushing lubrication
451 081	Hinge	35x208x370mm, right, forged, heavy duty version, bushing lubrication
451 085	Hinge	35x208x370mm, left, forged, heavy duty version, lubrication
451 084	Hinge	35x208x370mm, right, forged, heavy duty version, lubrication
Article no.	Product	Description
451 082	Hinge	50x180,5x404,5mm, left, heavy duty version, lubrication
451 083	Hinge	50x180,5x404,5mm, right, heavy duty version, lubrication
451 087	Hinge	50x180,5x403mm, left, heavy duty version, lubrication
451 088	Hinge	50x180,5x403mm, right, heavy duty version, lubrication

## Hinges for stackable roll-off containers

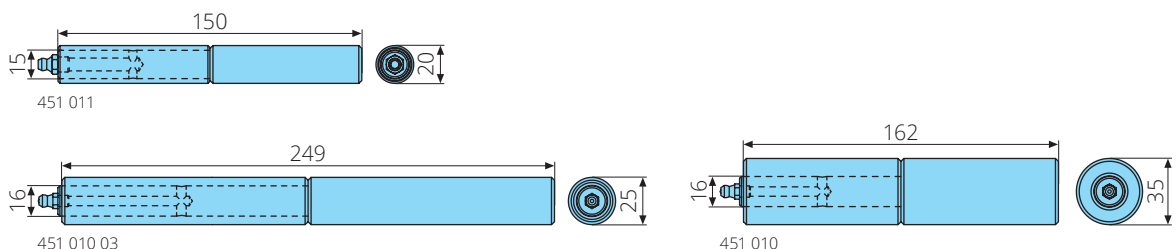


Article no.	Product	Description
451 060 1	Hinge	35x290x250,5mm, left, for stackable roll-off containers, bushing lubrication, forged
451 061 1	Hinge	35x290x250,5mm, right, for stackable roll-off containers, bushing lubrication

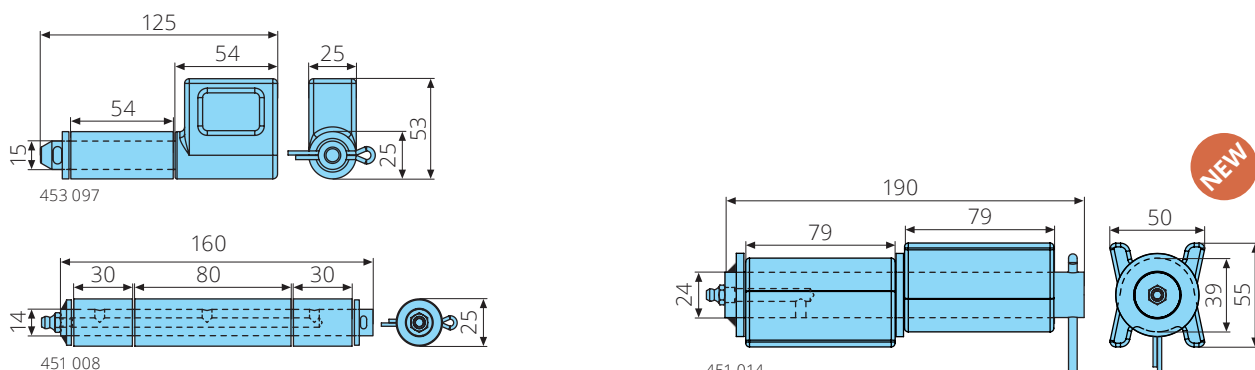
Hinges for lids



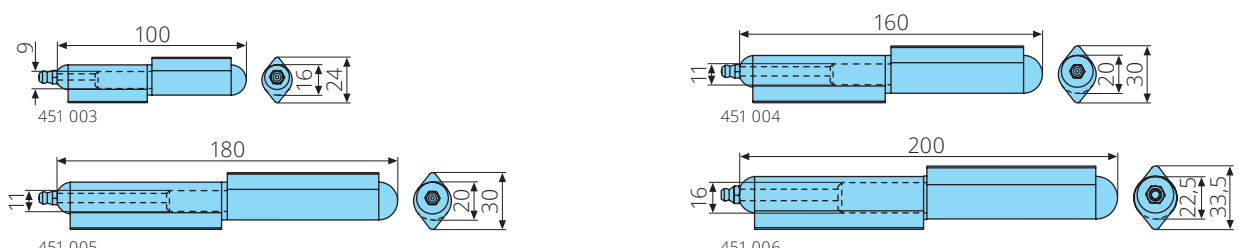
Article no.	Product	Description
451 049	Hinge	15x60x60mm, raw, with bras pin, for bolted mounting
451 049 1	Hinge	15x60x60mm, galvanized, with bras pin, for bolted mounting
451 030	Hinge	20x133x85mm, primed
451 041 1	Hinge	16x79x100mm, raw, lubrication
451 041	Hinge	16x79x100mm, galvanized, lubrication
451 041 2	Hinge	16x79x100mm, galvanized, lubrication, with bores



Article no.	Product	Description
451 011	Hinge	20x150mm, for container lids, lubrication
451 010 03	Hinge	25x249mm, for container lids, lubrication
451 010	Hinge	35x162mm, for container lids, lubrication



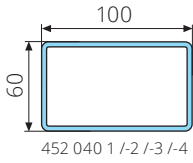
Article no.	Product	Description
453 097	Tailgate lock hinge	25x125x53mm, forged, raw
451 008	Hinge	25x160x25mm, for container lids, lubrication
451 014	Hinge	39x190x55mm, for container lids, lubrication



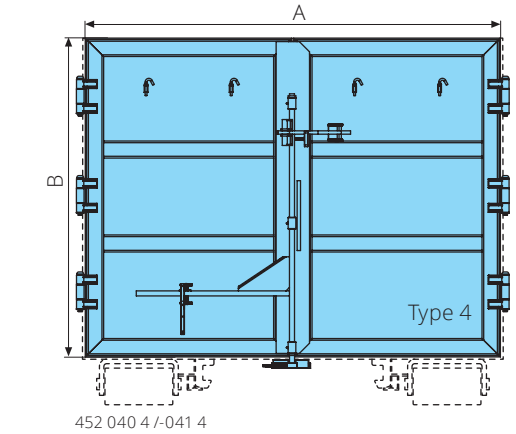
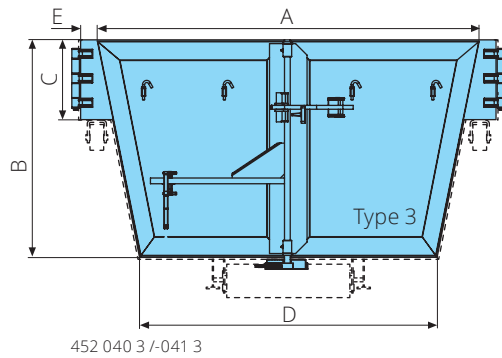
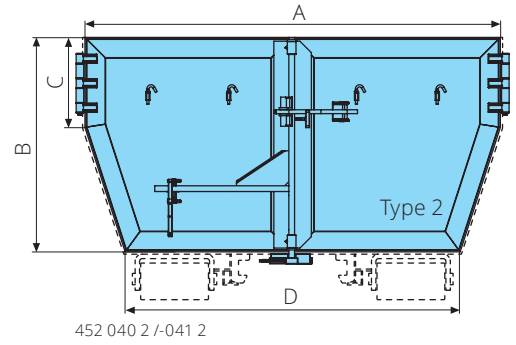
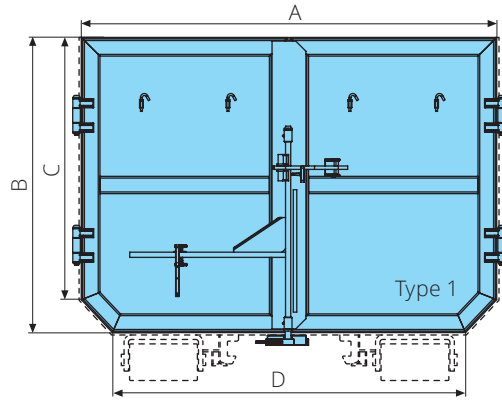
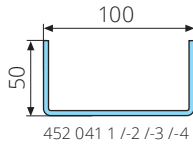
Article no.	Product	Description
451 003	Barrel hinge	16x100x24mm, with brass washer
451 004	Barrel hinge	20x160x30mm, with brass washer
451 005	Barrel hinge	20x180x30mm, with brass washer
451 006	Barrel hinge	22,5x200x33,5mm, with brass washer

### Container doors

- with over centre door lock
- with hinges
- with tarpaulin hooks
- door profile heavy duty version:



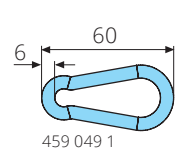
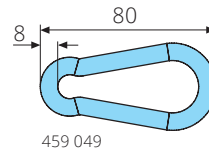
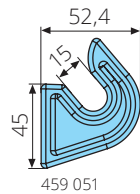
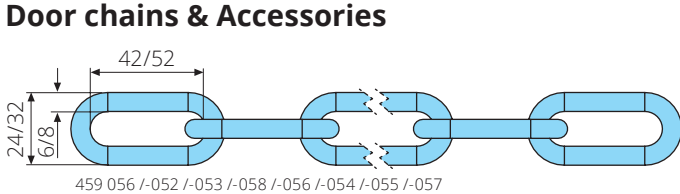
- door profile standard version:



Article no.	Product	Description
452 040 1	Container door type 1	heavy duty version, primed, made to order
452 040 2	Container door type 2	heavy duty version, primed, made to order
452 040 3	Container door type 3	heavy duty version, primed, made to order
452 040 4	Container door type 4	heavy duty version, primed, made to order
452 041 1	Container door type 1	standard version, primed, made to order
452 041 2	Container door type 2	standard version, primed, made to order
452 041 3	Container door type 3	standard version, primed, made to order
452 041 4	Container door type 4	standard version, primed, made to order

ORDER FORM							
Article no.	Typ	A in mm	B in mm	C in mm	D in mm	E in mm	Sets

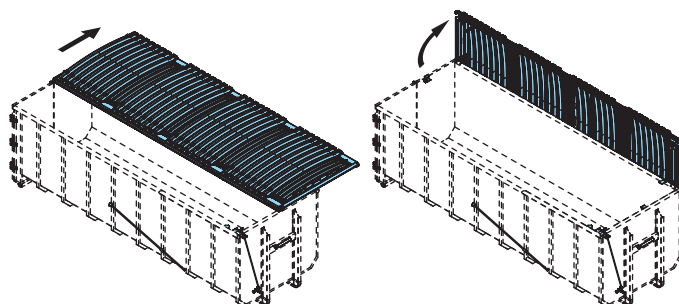
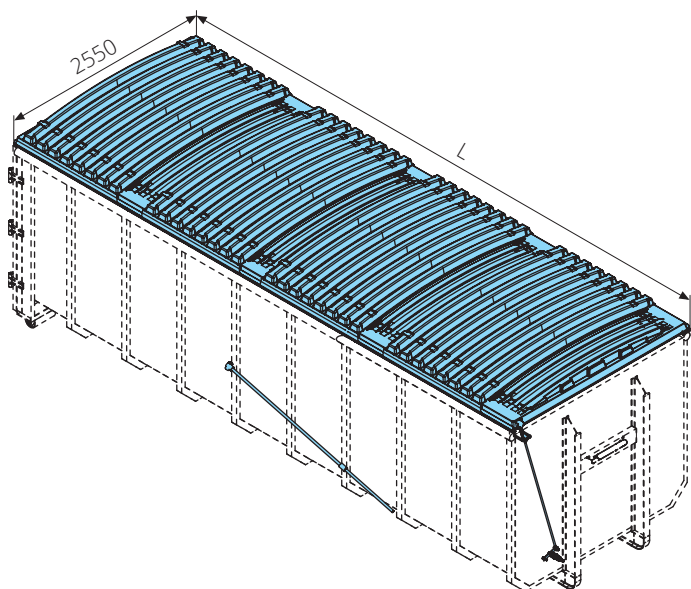
### Door chains & Accessories



Article no.	Product	Description
459 056	Chain	NG 6mm, DIN 763, galvanized, length according to specification
459 056 1	Chain	NG 8mm, DIN 763, galvanized, length according to specification

Article no.	Product	Description
459 052	Chain	NG 6mm, L=1m, DIN 763, galvanized
459 053	Chain	NG 6mm, L=10m, DIN 763, galvanized
459 058	Chain	NG 6mm, L=30m, DIN 763, galvanized
459 054	Chain	NG 8mm, L=1m, DIN 763, galvanized
459 055	Chain	NG 8mm, L=10m, DIN 763, galvanized
459 057	Chain	NG 8mm, L=30m, DIN 763, galvanized
459 051	Hook for chains	t=12mm, cast steel
459 049	Snap hook	8x80mm, DIN 5299C, galvanized
459 049 1	Snap hook	6x60mm, DIN 5299C, galvanized

### Pivoting lid for roll-off containers

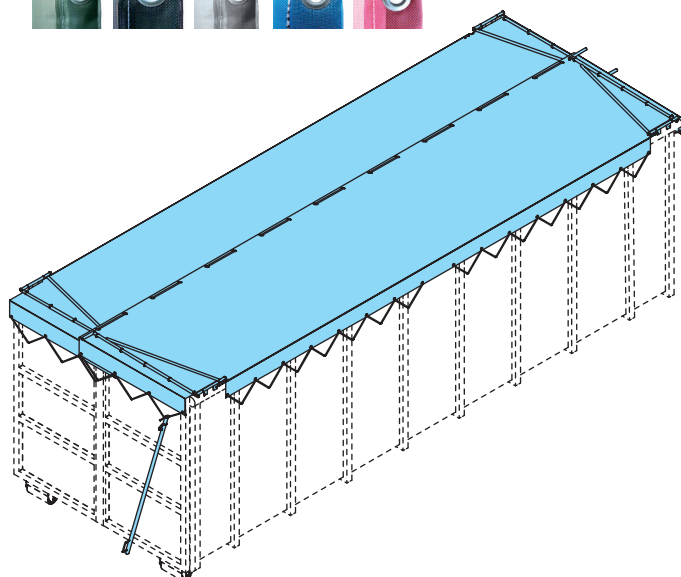
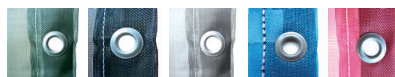


Article no.	Product	Description
452 090	Pivoting lid for roll-off container	B=2550mm, length as specified (5000 - 7000mm)

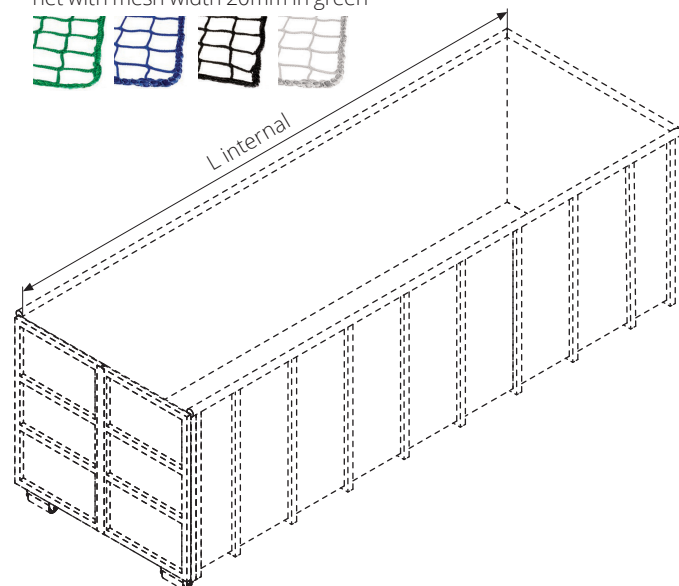
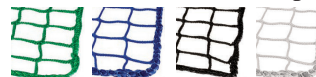
ORDER FORM	
L in mm (5000 - 7000mm)	Amount

### Container covers for roll-off containers

- fabric tarpaulin in green, black, grey, blau or red



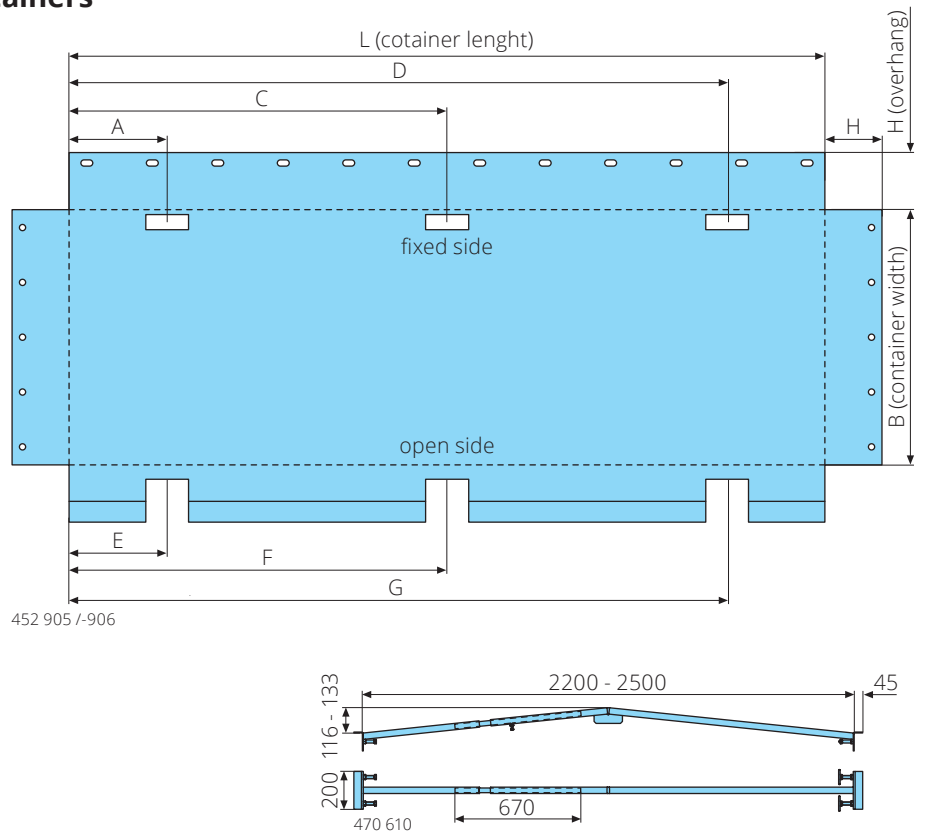
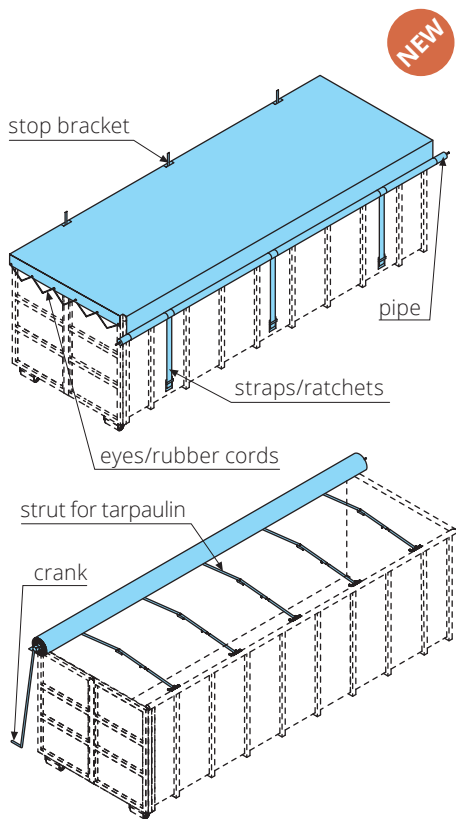
- net with mesh width 45mm in green, blue, black or white  
 - net with mesh width 30mm in green, blue or black  
 - net with mesh width 20mm in green



Article no.	Product	Description
452 900	Container cover with fabric tarpaulin	double-leaf, with fabric tarpaulin, with telescope bar & mount for telescope bar, made to order
452 900 1	Container cover with net	double-leaf, with net, with telescope bar & mount for telescope bar, made to order

ORDER FORM				
Article no.	L internal in cm	Color	(Mesh width)	Amount

# Roll-on tarpaulin for roll-off containers



Article no.	Product	Description
452 905	Roll-on tarpaulin	PVC tarpaulin, water tight, 630g/m <sup>2</sup> , grey, green, black, blue, red, orange, yellow or white
452 906	Roll-on tarpaulin	fabric tarpaulin, stiff, breathable, 200g/m <sup>2</sup> , colors: green, blue, black, red, grey

Article no.	Product	Description
470 610	Strut for tarpaulin	adjustable length, primed

ORDER FORM										
Article no.	Amount	L in m	B in m	H in m	A in m	C in m	D in m	E in m	F in m	G in m

Tarpaulin color							
grey	green	black	blue	red	orange	yellow	white

Rubber cord diameter						
w/o	4mm	6mm	8mm	10mm	12mm	

Eye diamter on short sides					
w/o	10mm	16mm	20mm	25mm	40mm

Eyes (42x22mm) on fixed side		
w/o	vertical	horizontal

Distance of eyes	
40cm	Distance in cm

Brackets on fixed side	
w/o	3 stop brackets

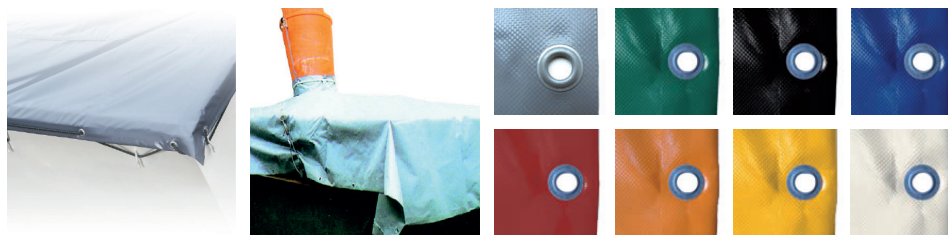
Strut 470 610	
w/o	Amount (4 - 6 suggested)

Pipe on open side		
w/o	round pipe (d=75mm)	square pipe (20x100mm)

Straps & Ratchets on open side		
w/o	2 Straps/Ratchets	3 Straps/Ratchets

Crank			
w/o	Hand crank	Roll fix crank (2,4m), foldable	Roll fix crank (1,3m)

## Container tarpaulins



- waterproof
- eyelet every 40 cm
- without rubber cord
- other sizes & with rubber cord on request

Article no.	Product	Description
470 100	Container tarpaulin PE/PVC	for 7m <sup>3</sup> container, 2,3x4,5m, 630g/m <sup>2</sup> , grey
470 105	Container tarpaulin PE/PVC	for 10m <sup>3</sup> container, 2,3x5,0m, 630g/m <sup>2</sup> , grey
470 110	Container tarpaulin PE/PVC	for 12-20m <sup>3</sup> container, 3,1x7,0m, 630g/m <sup>2</sup> , grey
470 115	Container tarpaulin PE/PVC	for 30m <sup>3</sup> container, 3,1x7,5m, 630g/m <sup>2</sup> , grey
470 120	Container tarpaulin PE/PVC	for 38-40m <sup>3</sup> container, 3,1x8,0m, 630g/m <sup>2</sup> , grey
470 125	Container tarpaulin PE/PVC	for 10-12m <sup>3</sup> container, 3,0x6,0m, 630g/m <sup>2</sup> , with collar for feed chute, grey

Article no.	Product	Description
470 560	Container tarpaulin PE/PVC	for 7m <sup>3</sup> container, 2,3x4,5m, 630g/m <sup>2</sup> , green, black, blue, red, orange, yellow or white
470 565	Container tarpaulin PE/PVC	for 10m <sup>3</sup> container, 2,3x5,0m, 630g/m <sup>2</sup> , green, black, blue, red, orange, yellow or white
470 570	Container tarpaulin PE/PVC	for 12-20m <sup>3</sup> container, 3,1x7,0m, 630g/m <sup>2</sup> , green, black, blue, red, orange, yellow or white
470 575	Container tarpaulin PE/PVC	for 30m <sup>3</sup> container, 3,1x7,5m, 630g/m <sup>2</sup> , green, black, blue, red, orange, yellow or white
470 580	Container tarpaulin PE/PVC	for 38-40m <sup>3</sup> container, 3,1x8,0m, 630g/m <sup>2</sup> , green, black, blue, red, orange, yellow or white

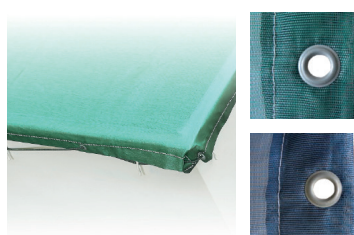
Article no.	Product	Description
470 590	Container tarpaulin PE/PVC	for 7m <sup>3</sup> container, 2,3x4,5m, 620g/m <sup>2</sup> , reinforced corners, grey
470 595	Container tarpaulin PE/PVC	for 10m <sup>3</sup> container, 2,3x5,0m, 620g/m <sup>2</sup> , reinforced corners, grey
470 596	Container tarpaulin PE/PVC	for 12-20m <sup>3</sup> container, 3,1x7,0m, 620g/m <sup>2</sup> , reinforced corners, grey
470 597	Container tarpaulin PE/PVC	for 30m <sup>3</sup> container, 3,1x7,5m, 620g/m <sup>2</sup> , reinforced corners, grey
470 598	Container tarpaulin PE/PVC	for 38-40m <sup>3</sup> container, 3,1x8,0m, 620g/m <sup>2</sup> , reinforced corners, grey

## Fabric tarpaulins



- stable, air-permeable
- firm, very resistant to abrasion
- eyelet every 40 cm
- without rubber cord
- other sizes, other colours & with rubber cord on request

Article no.	Product	Description
470 130	PE-monofilament tarpaulin	for 7m <sup>3</sup> container, 2,3x4,5m, 200g/m <sup>2</sup> , green, black, grey, blue or red
470 135	PE-monofilament tarpaulin	for 10m <sup>3</sup> container, 2,3x5,0m, 200g/m <sup>2</sup> , green, black, grey, blue or red
470 140	PE-monofilament tarpaulin	for 12-20m <sup>3</sup> container, 3,1x7,0m, 200g/m <sup>2</sup> , green, black, grey, blue or red
470 145	PE-monofilament tarpaulin	for 30m <sup>3</sup> container, 3,1x7,5m, 200g/m <sup>2</sup> , green, black, grey, blue or red
470 150	PE-monofilament tarpaulin	for 38-40m <sup>3</sup> container, 3,1x8,0m, 200g/m <sup>2</sup> , green, black, grey, blue or red

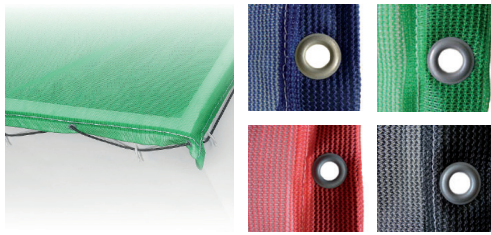


- dense weave
- eyelet every 40 cm
- without rubber cord
- other sizes and with rubber cord on request

Article no.	Product	Description
470 300	Fabric tarpaulin PE	for 7m <sup>3</sup> container, 2,3x4,5m, 190g/m <sup>2</sup> , green or blue
470 305	Fabric tarpaulin PE	for 10m <sup>3</sup> container, 2,3x5,0m, 190g/m <sup>2</sup> , green or blue
470 310	Fabric tarpaulin PE	for 12-20m <sup>3</sup> container, 3,1x7,0m, 190g/m <sup>2</sup> , green or blue
470 315	Fabric tarpaulin PE	for 30m <sup>3</sup> container, 3,1x7,5m, 190g/m <sup>2</sup> , green or blue
470 320	Fabric tarpaulin PE	for 38-40m <sup>3</sup> container, 3,1x8,0m, 190g/m <sup>2</sup> , green or blue

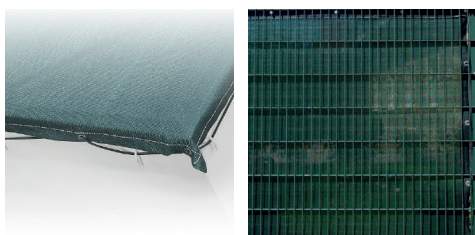


## Fabric tarpaulins



- easily folded, air-permeable
- eyelet every 40 cm
- without rubber cord
- other sizes, other colours & with
- rubber cord on request

Article no.	Product	Description
470 515	PE monofilament tarpaulin	for 7m <sup>3</sup> container, 2,3x4,5m, 220g/m <sup>2</sup> , green, black, gray or red
470 520	PE monofilament tarpaulin	for 10m <sup>3</sup> container, 2,3x5,0m, 220g/m <sup>2</sup> , green, black, gray or red
470 525	PE monofilament tarpaulin	for 10m <sup>3</sup> container, 3,1x5,0m, 220g/m <sup>2</sup> , green, black, gray or red
470 530	PE monofilament tarpaulin	for 10-12m <sup>3</sup> container, 3,1x6,0m, 220g/m <sup>2</sup> , green, black, gray or red
470 535	PE monofilament tarpaulin	for 10-12m <sup>3</sup> container, 3,1x7,0m, 220g/m <sup>2</sup> , green, black, gray or red
470 540	PE monofilament tarpaulin	for 30m <sup>3</sup> container, 3,1x7,5m, 220g/m <sup>2</sup> , green, black, gray or red
470 545	PE monofilament tarpaulin	for 38-40m <sup>3</sup> container, 3,1x8,0m, 220g/m <sup>2</sup> , green, black, gray or red

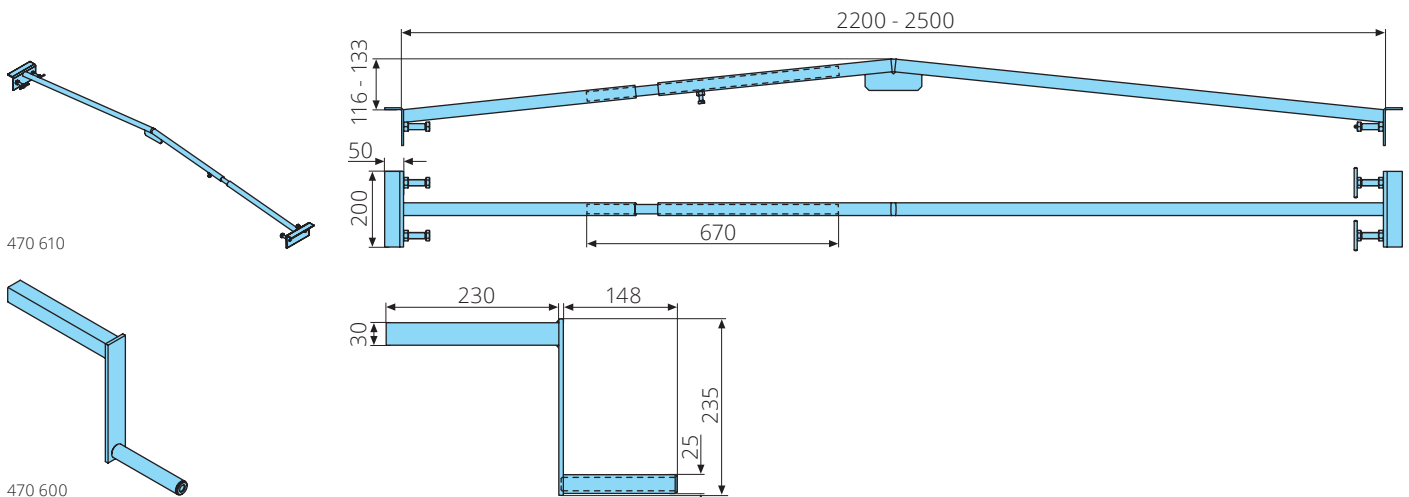


- air-permeable
- eyelet every 40 cm
- without rubber cord
- other sizes and with rubber cord on request

Article no.	Product	Description
470 331	Woven band tarpaulin PE	for 10m <sup>3</sup> container, 3,1x5,0m, 200g/m <sup>2</sup> , green
470 332	Woven band tarpaulin PE	for 12-20m <sup>3</sup> container, 3,1x7,0m, 200g/m <sup>2</sup> , green
470 333	Woven band tarpaulin PE	for 30m <sup>3</sup> container, 3,1x7,5m, 200g/m <sup>2</sup> , green
470 334	Woven band tarpaulin PE	for 38-40m <sup>3</sup> container, 3,1x8,0m, 200g/m <sup>2</sup> , green

Article no.	Product	Description
470 330	Woven band tarpaulin PE	for 10m <sup>3</sup> container, 3,5x5,0m, 200g/m <sup>2</sup> , green
470 335	Woven band tarpaulin PE	for 12-20m <sup>3</sup> container, 3,5x7,0m, 200g/m <sup>2</sup> , green
470 340	Woven band tarpaulin PE	for 30m <sup>3</sup> container, 3,5x7,5m, 200g/m <sup>2</sup> , green
470 345	Woven band tarpaulin PE	for 38-40m <sup>3</sup> container, 3,5x8,0m, 200g/m <sup>2</sup> , green
470 355	Screen tarpauling PE	2,0x12,0m, 200g/m <sup>2</sup> , green

## Strut for tarpaulins & Crank handle



Article no.	Product	Description
470 610	Strut for tarpaulin	adjustable length, primed
470 600	Crank handle	for rolling tarpaulin, S235JR, galvanized

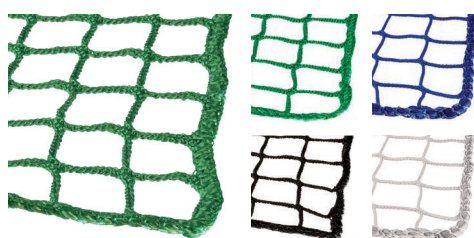
## Rope cargo nets



- gute Steifigkeit, sehr strapazierfähig
- mit Randkordel
- keine Wasseraufnahme
- 8 Jahre UV-stabil
- Sondergrößen auf Anfrage
- Lieferzeit auf Anfrage

Article no.	Product	Description
470 160	Rope cargo net PE	for 5-10m <sup>3</sup> container, 3,5x5,0m, 300g/m <sup>2</sup> , 2,3mm, mesh width 25mm, green
470 165	Rope cargo net PE	for 5-10m <sup>3</sup> container, 3,5x6,0m, 300g/m <sup>2</sup> , 2,3mm, mesh width 25mm, green
470 170	Rope cargo net PE	for 12-20m <sup>3</sup> container, 3,5x7,0m, 300g/m <sup>2</sup> , 2,3mm, mesh width 25mm, green
470 175	Rope cargo net PE	for 30-40m <sup>3</sup> container, 3,5x8,0m, 300g/m <sup>2</sup> , 2,3mm, mesh width 25mm, green

## Synthetic nets



- high-strength
- with border rope
- reinforced border
- other sizes on request

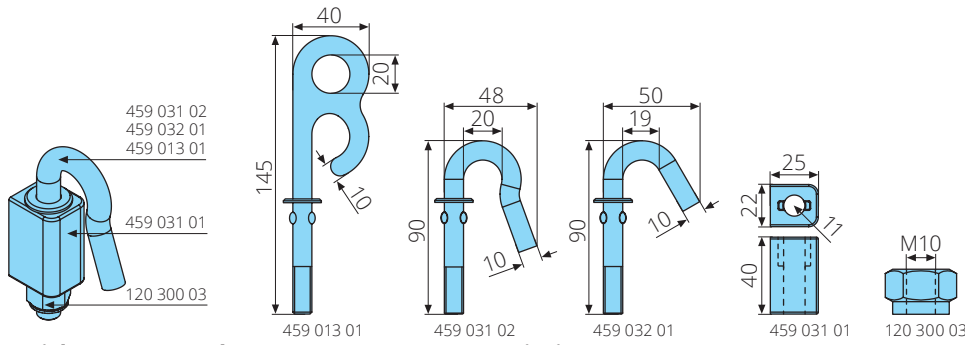
Article no.	Product	Description
470 400	Synthetic net PP	for 5m <sup>3</sup> container, 2,5x4,5m, 130g/m <sup>2</sup> , 2,3mm, mesh width 45mm, black
470 405	Synthetic net PP	for 5-10m <sup>3</sup> container, 3,0x5,0m, 130g/m <sup>2</sup> , 2,3mm, mesh width 45mm, green or black
470 410	Synthetic net PP	for 5-10m <sup>3</sup> container, 3,5x6,0m, 130g/m <sup>2</sup> , 2,3mm, mesh width 45mm, green or black
470 415	Synthetic net PP	for 12-20m <sup>3</sup> container, 3,5x7,0m, 130g/m <sup>2</sup> , 2,3mm, mesh width 45mm, green or black
470 420	Synthetic net PP	for 30-40m <sup>3</sup> container, 3,5x8,0m, 130g/m <sup>2</sup> , 2,3mm, mesh width 45mm, green or black

Article no.	Product	Description
470 430	Synthetic net PP	for 5-10m <sup>3</sup> container, 3,0x5,0m, 200g/m <sup>2</sup> , 2,5mm, mesh width 20mm, green
470 435	Synthetic net PP	for 5-12m <sup>3</sup> container, 3,5x6,0m, 200g/m <sup>2</sup> , 2,5mm, mesh width 20mm, green
470 440	Synthetic net PP	for 12-20m <sup>3</sup> container, 3,5x7,0m, 200g/m <sup>2</sup> , 2,5mm, mesh width 20mm, green
470 445	Synthetic net PP	for 30-40m <sup>3</sup> container, 3,5x8,0m, 200g/m <sup>2</sup> , 2,5mm, mesh width 20mm, green

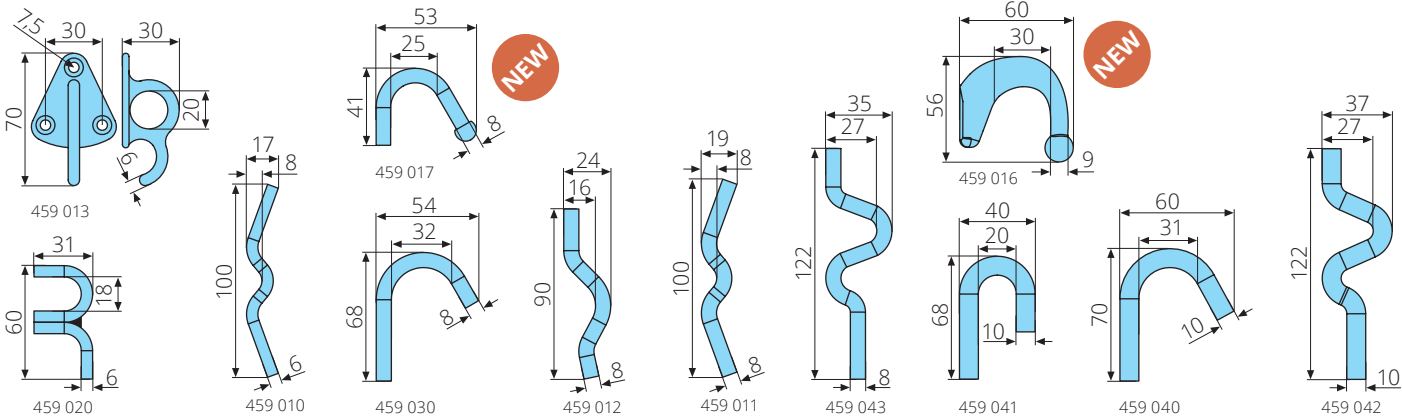
Article no.	Product	Description
470 455	Synthetic net PP	1,7x2,5m, 200g/m <sup>2</sup> , 3mm, mesh width 30mm, green, blue or black
470 460	Synthetic net PP	for 5-10m <sup>3</sup> container, 3,0x5,0m, 200g/m <sup>2</sup> , 3mm, mesh width 30mm, green, blue or black
470 465	Synthetic net PP	for 5-10m <sup>3</sup> container, 3,5x6,0m, 200g/m <sup>2</sup> , 3mm, mesh width 30mm, green, blue or black
470 470	Synthetic net PP	for 12-20m <sup>3</sup> container, 3,5x7,0m, 200g/m <sup>2</sup> , 3mm, mesh width 30mm, green, blue or black
470 475	Synthetic net PP	for 30-40m <sup>3</sup> container, 3,5x8,0m, 200g/m <sup>2</sup> , 3mm, mesh width 30mm, green, blue or black

Article no.	Product	Description
470 485	Synthetic net PP	1,7x2,5m, 170g/m <sup>2</sup> , 3mm, mesh width 45mm, green, blue, black or white
470 490	Synthetic net PP	for 5-10m <sup>3</sup> container, 3,0x5,0m, 170g/m <sup>2</sup> , 3mm, mesh width 45mm, green, blue, black or white
470 495	Synthetic net PP	for 5-10m <sup>3</sup> container, 3,5x6,0m, 170g/m <sup>2</sup> , 3mm, mesh width 45mm, green, blue, black or white
470 500	Synthetic net PP	for 12-20m <sup>3</sup> container, 3,5x7,0m, 170g/m <sup>2</sup> , 3mm, mesh width 45mm, green, blue, black or white
470 505	Synthetic net PP	for 30-40m <sup>3</sup> container, 3,5x8,0m, 170g/m <sup>2</sup> , 3mm, mesh width 45mm, green, blue, black or white

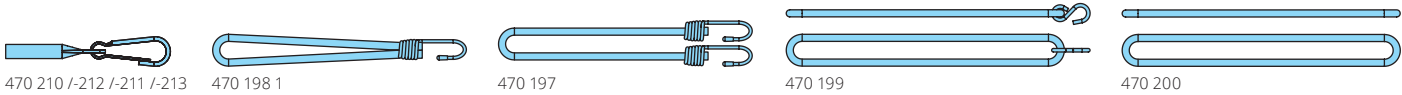
## Tarpaulin hooks / accessories for tarpaulins & nets



Article no.	Product	Description
459 013 01	Tarpaulin hook with thread	10x145mm, M10, galvanized, with eye
459 031 02	Tarpaulin hook with thread	10x90mm, M10, galvanized, curved
459 032 01	Tarpaulin hook with thread	10x90mm, M10, galvanized
459 031 01	Mount for tarpaulin hook	40x22x25mm, d=11mm, cast steel
120 300 03	Hex head nut	M10, self-locking, galvanized, ISO 7040



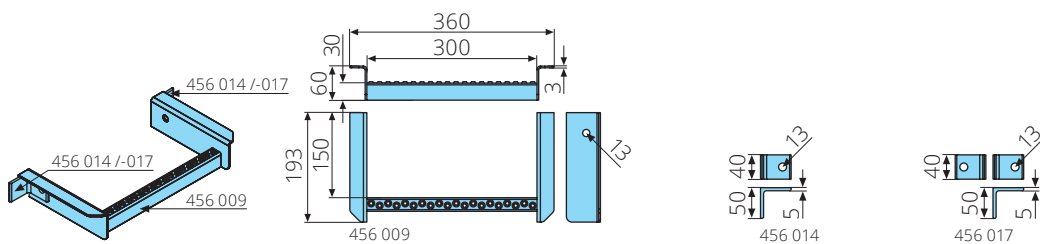
Article no.	Product	Description
459 013	Tarpaulin hook	6x70mm, for bolted mounting, galvanized
459 020	Tarpaulin hook	6x60mm
459 010	Tarpaulin hook	6x100mm
459 017	Tarpaulin hook	8x41mm
459 030	Tarpaulin hook	8x68mm
459 012	Tarpaulin hook	8x90mm
459 011	Tarpaulin hook	8x100mm
459 043	Tarpaulin hook	8x122mm
459 016	Tarpaulin hook	9x56mm
459 041	Tarpaulin hook	10x68mm
459 040	Tarpaulin hook	10x70mm
459 042	Tarpaulin hook	10x122mm



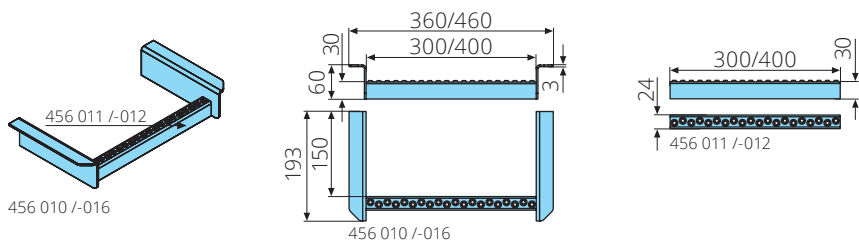
Article no.	Product	Description
470 210	Cable end closure	d=8mm, with hook, galvanized
470 212	Cable end closure	d=8mm, with hook, galvanized, PU 100 pieces, price/PU
470 211	Cable end closure	d=10mm, with hook, galvanized
470 213	Cable end closure	d=10mm, with hook, galvanized, PU 100 pieces, price/PU
470 198 1	Stretch lashing	D=5,4mm, L=400mm, stretch rope, with spiral hook
470 198	Stretch lashing	D=8mm, L=400mm, stretch rope, with spiral hook
470 197	Stretch lashing	D=9mm, L=800mm, stretch rope, with spiral hooks on both ends
470 199	Rubber lashing loop	D=8mm, L=400mm, with s-hook, galvanized
470 200	Rubber lashing loop	D=8mm, L=400mm

Article no.	Product	Description
470 127	Rubber cord	D=8mm, 50m bundle
470 126	Rubber cord	D=10mm, 50m bundle
470 196	Stretch rope	D=8mm, 100m bundle, single-stranded
470 129	Stretch rope	D=10mm, 50m bundle, single-stranded
470 128	Stretch rope	D=10mm, 100m bundle, single-stranded

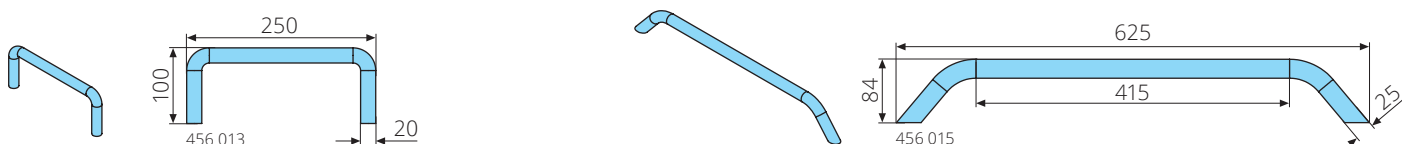
Steps & accessories



Article no.	Product	Description
456 009	Step	L=360/300mm, galvanized, for bolted mounting, according to DGUV
456 014	Mounting bracket	50x50x5mm, bore d=13mm
456 017	Bracket	50x50x5mm, with 2 bores d=13mm

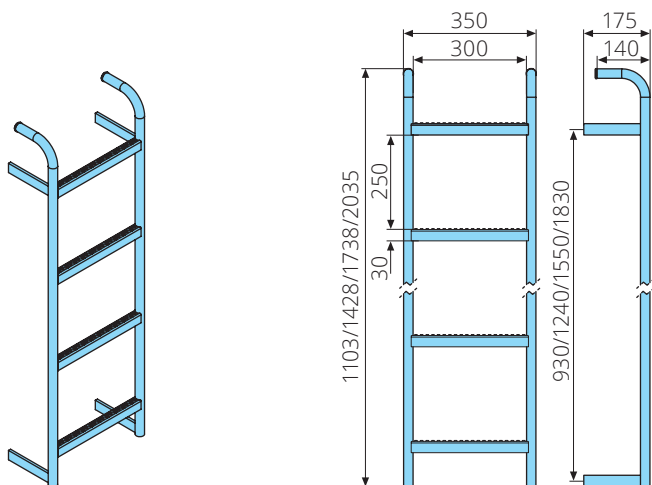


Article no.	Product	Description
456 010	Step	L=360/300mm, primed, for welding, according to DGUV
456 016	Step	L=460/400mm, primed, for welding, according to DGUV
456 011	Step profile	L=300mm, according to DGUV
456 012	Step profile	L=400mm, according to DGUV



Article no.	Product	Description
456 013	Handle	D=20mm, horizontal, according to DGUV
456 015	Handle	D=25mm, vertical, according to DGUV

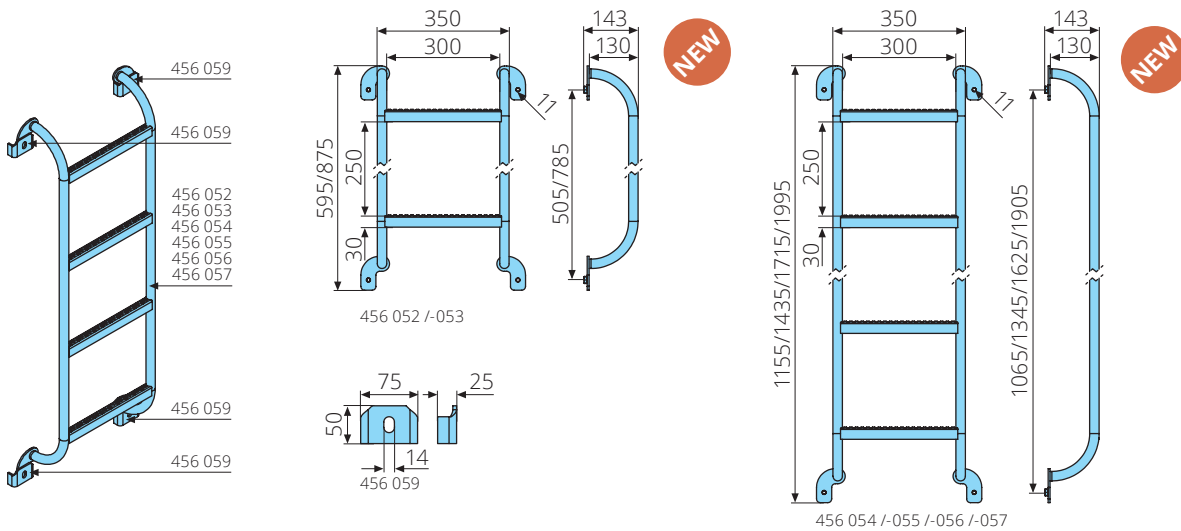
Stepladders for welding



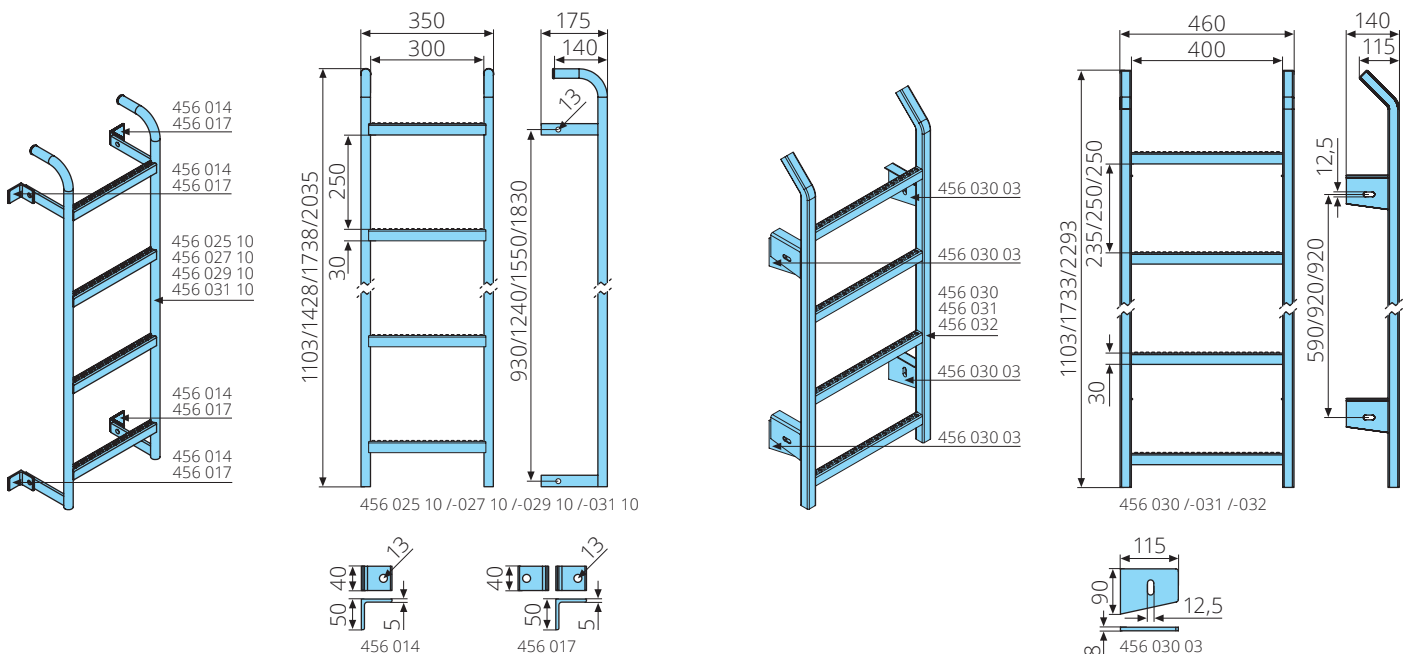
456 024 10 /-026 10 /-028 10 /-030 10

Article no.	Product	Description
456 024 10	Stepladder	4 steps, 1103mm, primed, for welding, steel, according to DGUV
456 026 10	Stepladder	5 steps, 1428mm, primed, for welding, steel, according to DGUV
456 028 10	Stepladder	6 steps, 1738mm, primed, for welding, steel, according to DGUV
456 030 10	Stepladder	7 steps, 2035mm, primed, for welding, steel, according to DGUV

## Stepladders for bolted mounting



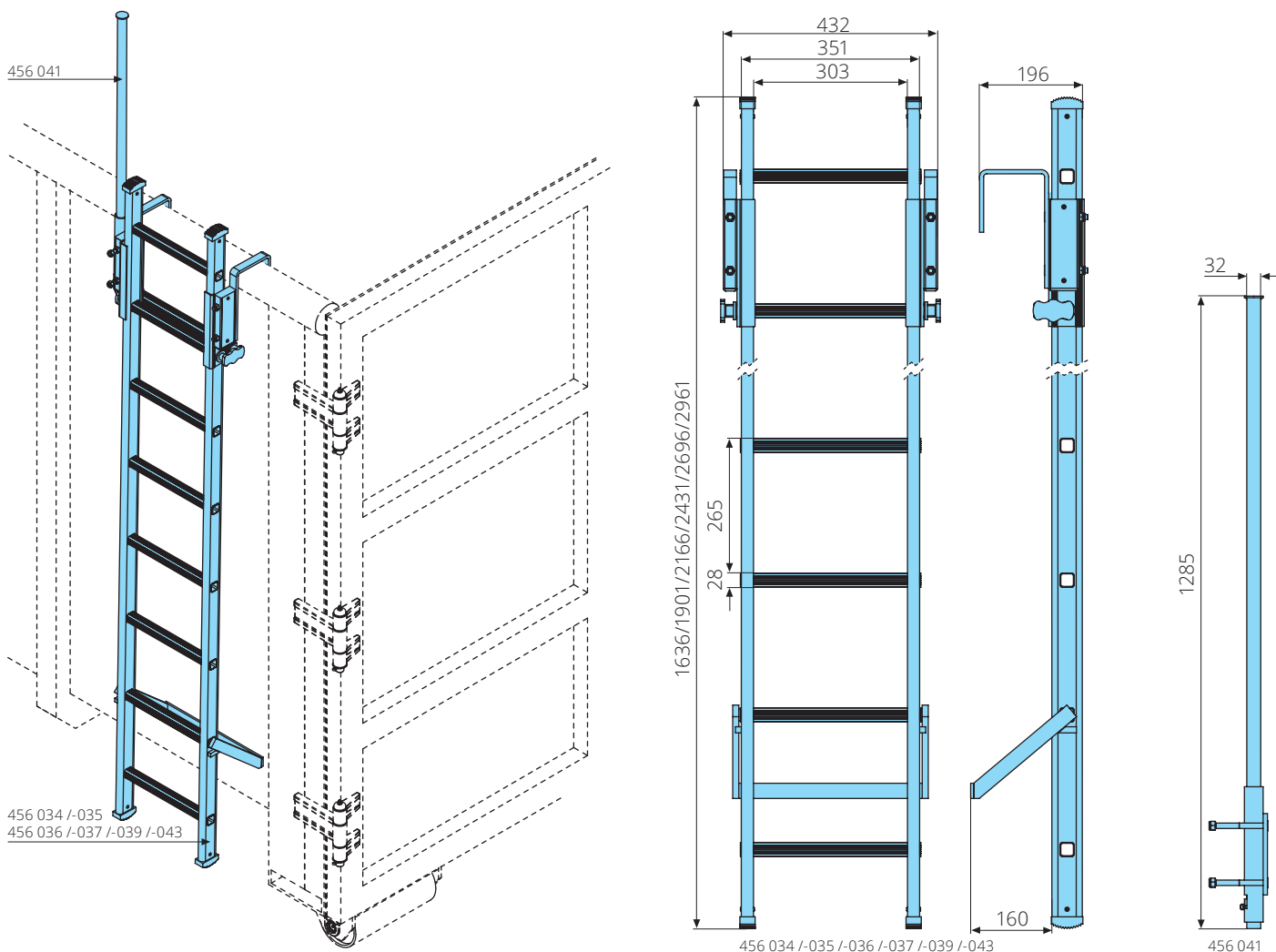
Article no.	Product	Description
456 052	Stepladder	2 steps, 595mm, galvanized, for bolted mounting, steel, according to DGUV
456 053	Stepladder	3 steps, 875mm, galvanized, for bolted mounting, steel, according to DGUV
456 054	Stepladder	4 steps, 1155mm, galvanized, for bolted mounting, steel, according to DGUV
456 055	Stepladder	5 steps, 1435mm, galvanized, for bolted mounting, steel, according to DGUV
456 056	Stepladder	6 steps, 1715mm, galvanized, for bolted mounting, steel, according to DGUV
456 057	Stepladder	7 steps, 1995mm, galvanized, for bolted mounting, steel, according to DGUV
456 059	Mounting plate	50x75x25mm, for ladders 456 052 /-053 /-054 /-055 /-056 /-057



Article no.	Product	Description
456 025 10	Stepladder	4 steps, 1103mm, galvanized, for bolted mounting, steel, according to DGUV
456 027 10	Stepladder	5 steps, 1428mm, galvanized, for bolted mounting, steel, according to DGUV
456 029 10	Stepladder	6 steps, 1738mm, galvanized, for bolted mounting, steel, according to DGUV
456 031 10	Stepladder	7 steps, 2035mm, galvanized, for bolted mounting, steel, according to DGUV
456 014	Mounting bracket	50x50x5mm, bore d=13mm
456 017	Bracket	50x50x5mm, with 2 bores d=13mm

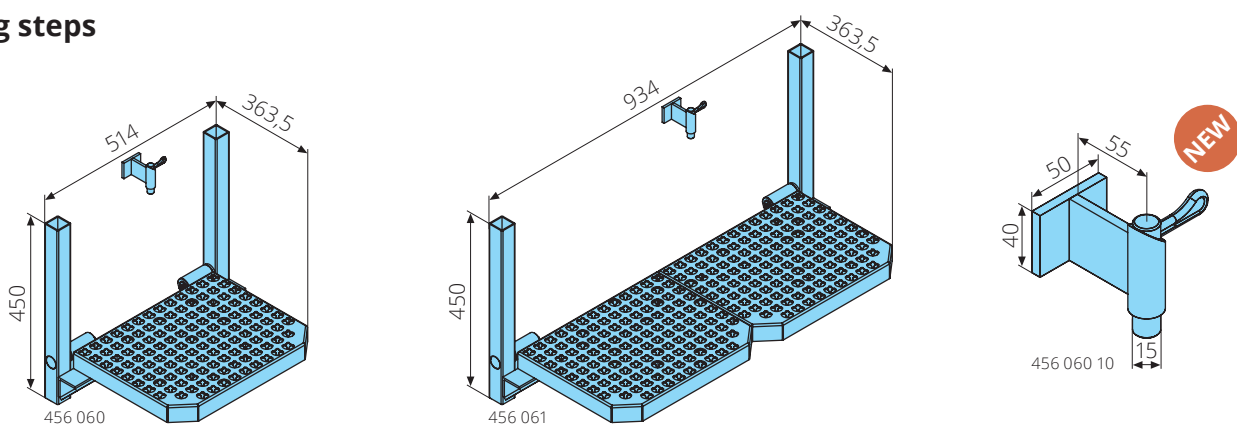
Article no.	Product	Description
456 030	Stepladder	4 steps, 1103mm, galvanized, for bolted mounting, steel, type BERINGER
456 031	Stepladder	6 steps, 1733mm, galvanized, for bolted mounting, steel, according to DGUV, type BERINGER
456 032	Stepladder	8 steps, 2293mm, galvanized, for bolted mounting, steel, according to DGUV, type BERINGER
456 030 03	Mounting plate	90x115x8mm, type BERINGER

Ladders with hooks



Article no.	Product	Description
456 034	Ladder with hooks	6 steps, 1636mm, only according to DGUV with hand rail 456 041 (available separately)
456 035	Ladder with hooks	7 steps, 1901mm, only according to DGUV with hand rail 456 041 (available separately)
456 036	Ladder with hooks	8 steps, 2166mm, only according to DGUV with hand rail 456 041 (available separately)
456 037	Ladder with hooks	9 steps, 2431mm, only according to DGUV with hand rail 456 041 (available separately)
456 039	Ladder with hooks	10 steps, 2696mm, only according to DGUV with hand rail 456 041 (available separately)
456 043	456043_	456043.
456 041	Hand rail	1285x32mm, telescopic, for ladders with hooks 456 034/-035/-036/-037 /- 039, according to DGUV

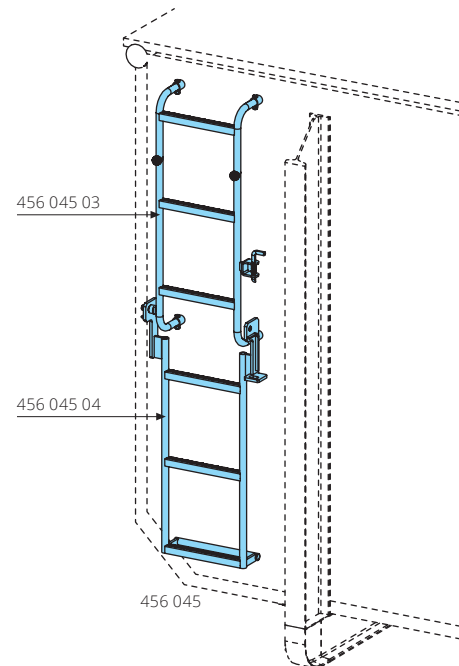
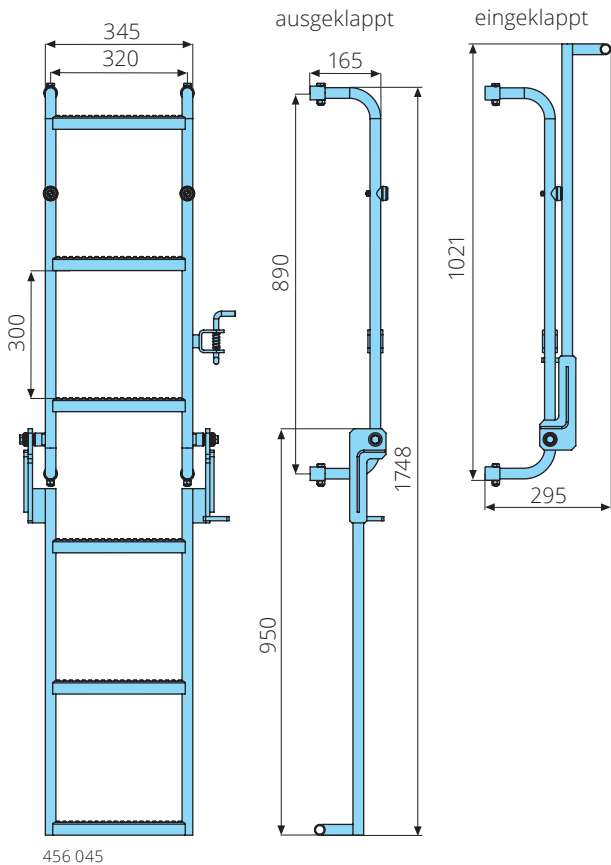
Folding steps



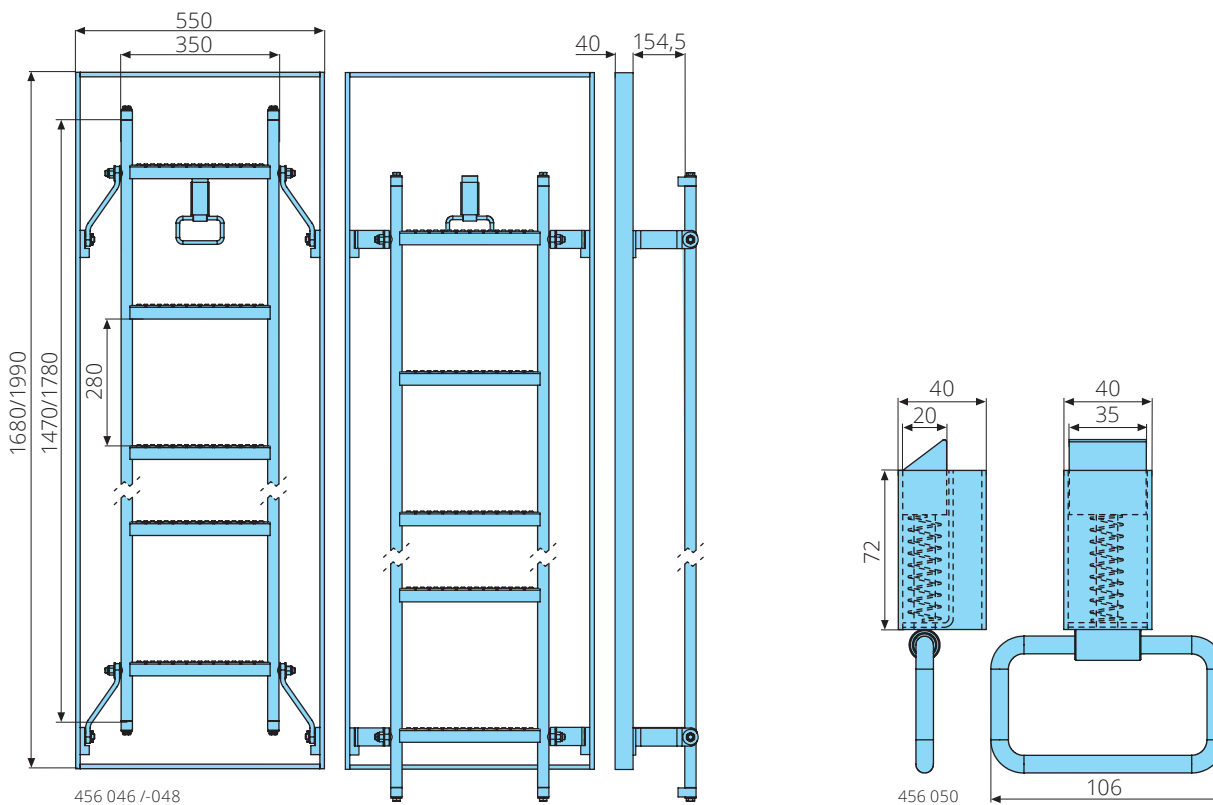
Article no.	Product	Description
456 060	Folding step	512x450x363,5mm, primed, grid step galvanized, with spring bolt 456 060 10
456 061	Folding step	934x450x363,5mm, primed, grid step galvanized, with spring bolt 456 060 10
456 060 10	Spring bolt	D=15mm, spring bolt galvanized, mount primed

### Folding ladders

Utility model DE 20 2012 006 322.7 / DE 20 2012 009 894.2



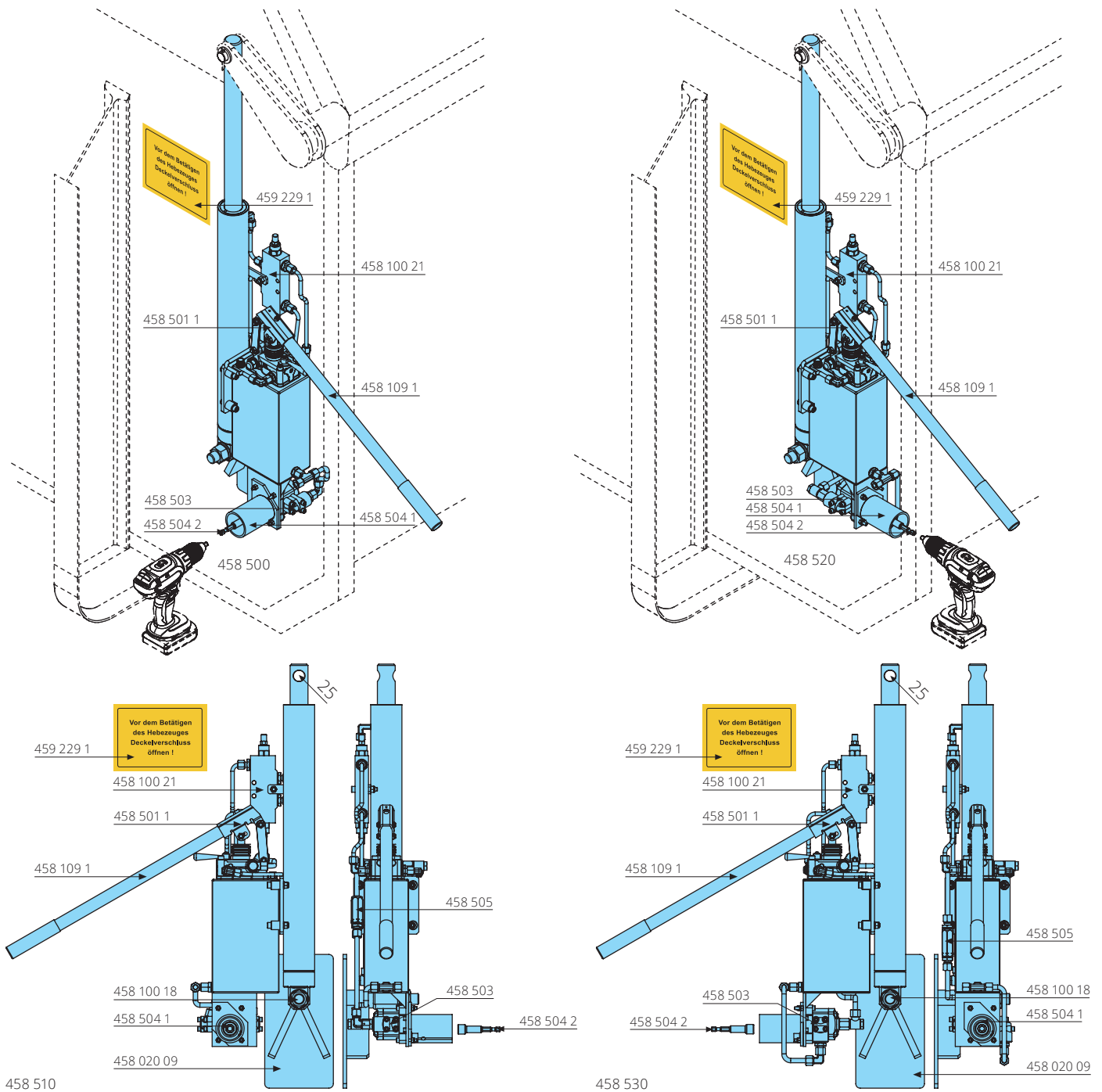
Article no.	Product	Description
456 045	Folding ladder	6 steps, 1748mm, with spring bolt & bracket, for bolted mounting, galvanized
456 045 03	Folding ladder top	890mm, with spring bolt & bracket, galvanized
456 045 04	Folding ladder bottom	950mm, galvanized



Article no.	Product	Description
456 046	Folding ladder	5 steps, 1470mm, with spring bolt 456 050, for welding, steel
456 048	Folding ladder	6 steps, 1780mm, with spring bolt 456 050, for welding, steel
456 050	Spring bolt	35x20mm

Ladders with hooks / Folding steps / Folding ladders

Lid hydraulics with adapter for cordless drill

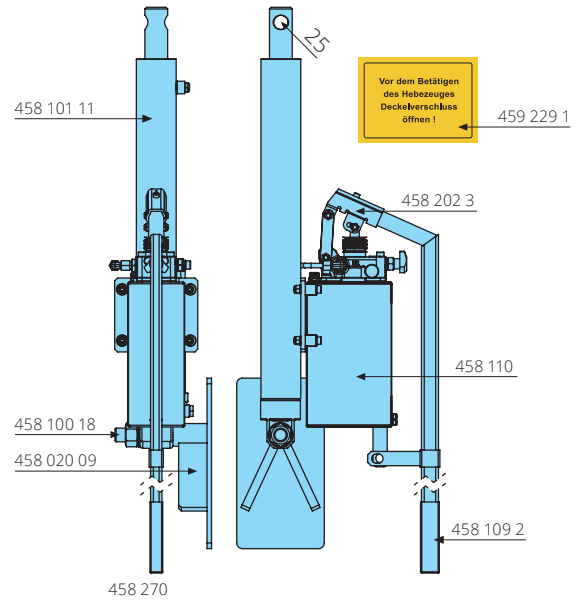
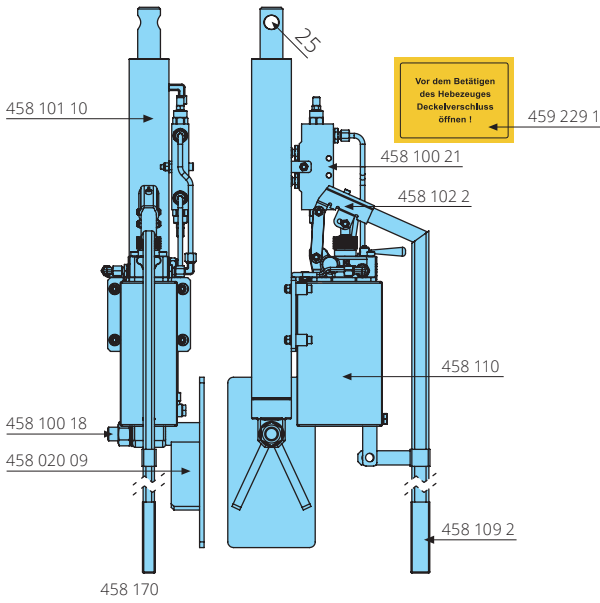


Article no.	Product	Description
458 500	Lid hydraulic complete	stroke 500mm, mounting left, frontal adapter, double-acting, 25cm <sup>3</sup>
458 510	Lid hydraulic complete	stroke 500mm, mounting right, frontal adapter, double-acting, 25cm <sup>3</sup>
458 520	Lid hydraulic complete	stroke 500mm, mounting left, adapter on the side, double-acting, 25cm <sup>3</sup>
458 530	Lid hydraulic complete	stroke 500mm, mounting right, adapter on the side, double-acting, 25cm <sup>3</sup>

Article no.	Product	Description
458 501 1	Hand pump	25cm <sup>3</sup> , double-acting, with sealing, fittings & overflow valve
458 502	Gear pump	1,1cm <sup>3</sup> /rotation
458 503	Flange	3/8"
458 504 1	Adapter	for cordless drill
458 504 2	Socket	for cordless drill
458 505	Check valve	3/8"
458 100 21	Brake valve	3/8 , for double-acting lid hydrauliks

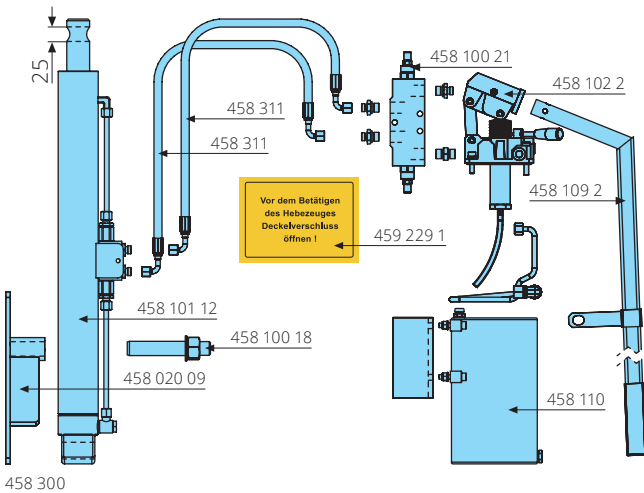


## Lid hydraulics / Lid hydraulics with hoses



Article no.	Product	Description
458 170	Lid hydraulic complete	stroke 500mm, single-acting, with cylinder mounting, bolt, brake & overflow valve
458 101 10	Cylinder	stroke 500mm, single-acting, with mounting plate & bracket
458 102 2	Hand pump	25cm <sup>3</sup> , double-acting, with seal, fittings & overflow valve
458 100 21	Brake valve	3/8", for double-acting lid hydrauliks

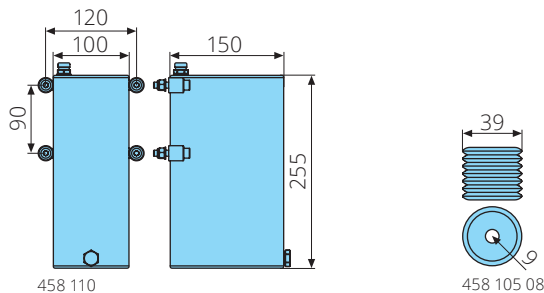
Article no.	Product	Description
458 270	Lid hydraulic complete	stroke 500mm, single-acting, with overflow valve, not according to BG
458 101 11	Cylinder	stroke 500mm, single-acting
458 202 3	Hand pump	25cm <sup>3</sup> , single-acting, with sealing, fittings & overflow valve



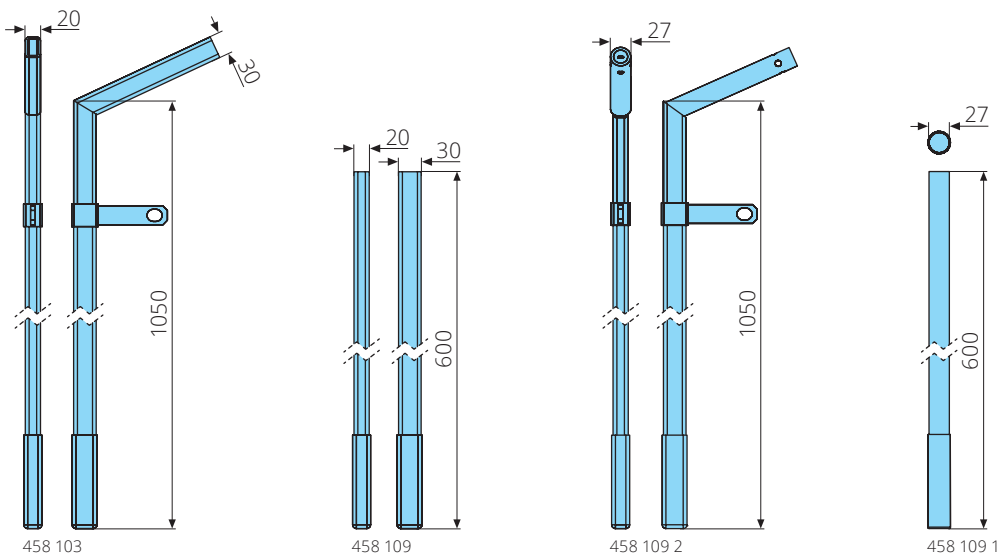
Article no.	Product	Description
458 300	Lid hydraulic with hoses complete	stroke 500mm, double-acting
458 101 12	Cylinder	stroke 500mm, double-acting
458 102 2	Hand pump	25cm <sup>3</sup> , double-acting, with seal, fittings & overflow valve
458 311	Hydraulic hose	3/8", L=1200mm, 2 needed for double-acting hand pump
458 100 21	Brake valve	3/8", for double-acting lid hydrauliks

Article no.	Product	Description
458 400	Lid hydraulic with hose complete	stroke 500mm, single-acting, not according to BG
458 101 13	Cylinder	stroke 500mm, single-acting, with hose rupture safety valve
458 202 3	Hand pump	25cm <sup>3</sup> , single-acting, with sealing, fittings & overflow valve
458 311	Hydraulic hose	3/8", L=1200mm, 2 needed for double-acting hand pump

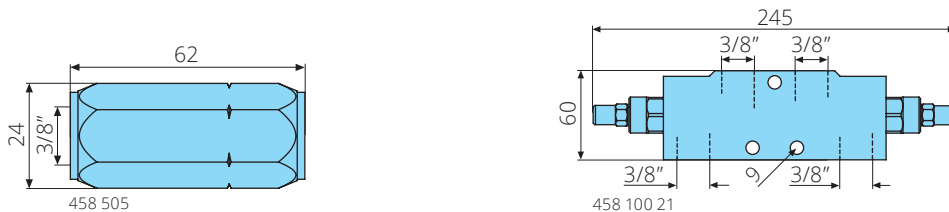
Accessories for lid hydraulics



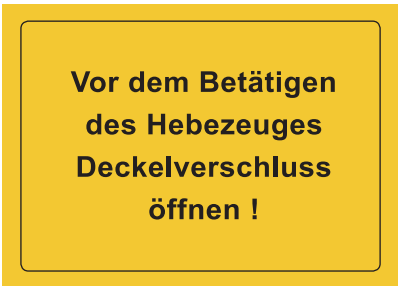
Article no.	Product	Description
458 110	Tank	3 litre, painted
458 105 08	Rubber bellow	d=9mm, for hand pumps



Article no.	Product	Description
458 103	Lever	30x20x1050mm, square, galvanized, with padlock fitting
458 109	Lever	30x20x600mm, square, galvanized
458 109 2	Lever	27x1050mm, round, galvanized, with padlock fitting
458 109 1	Lever	27x600mm, round, galvanized



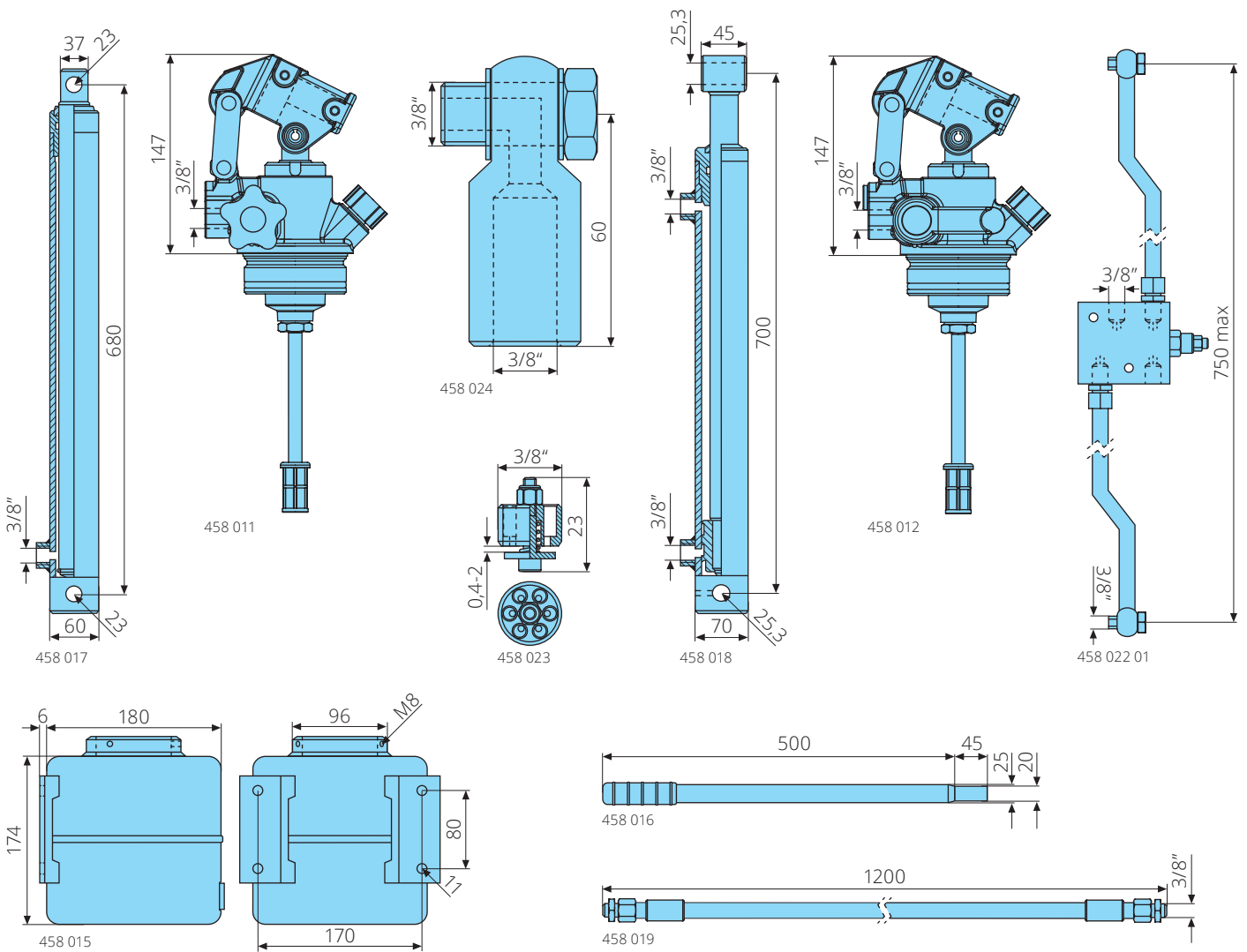
Article no.	Product	Description
458 505	Check valve	3/8"
458 100 21	Brake valve	3/8, for double-acting lid hydrauliks



459 229 /-229 1

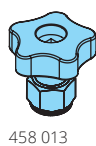
Article no.	Product	Description
459 229 1	PVC sticker "Deckelverschluss öffnen!"	210x150mm
459 229	PVC sticker "Deckelverschluss öffnen!"	210x150mm, 2 stickers/sheet

## Lid hydraulics in parts



Accessories for lid hydraulics / Lid hydraulics in parts

Article no.	Product	Description
458 017	Cylinder	Hub 550mm, single-acting
458 011	Hand pump	single-acting, 15cm <sup>3</sup> , 200bar, with filter, hose & seal set 458 025
458 023	Hose rupture safety valve	3/8", for double- & single-acting cylinder
458 024	BANJO elbow fitting	3/8", pivoting
Article no.	Product	Description
458 018	Cylinder	Hub 550mm, double-acting
458 012	Hand pump	double-acting, 20cm <sup>3</sup> , 150bar, with filter, hose & seal set 458 025
458 019	Hydraulic hose	3/8", L=1200mm, GE 12LR, 2 straight reducer unions
458 022 01	Check valve	3/8", for double-acting cylinder, 2 pivoting elbow fittings, brake valve
Article no.	Product	Description
458 015	Tank	180x194mm, 4 litre, grey
458 016	Lever	20x545mm
458 019	Hydraulic hose	3/8", L=1200mm, GE 12LR, 2 straight reducer unions



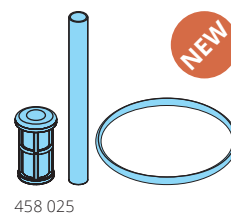
458 013



458 014



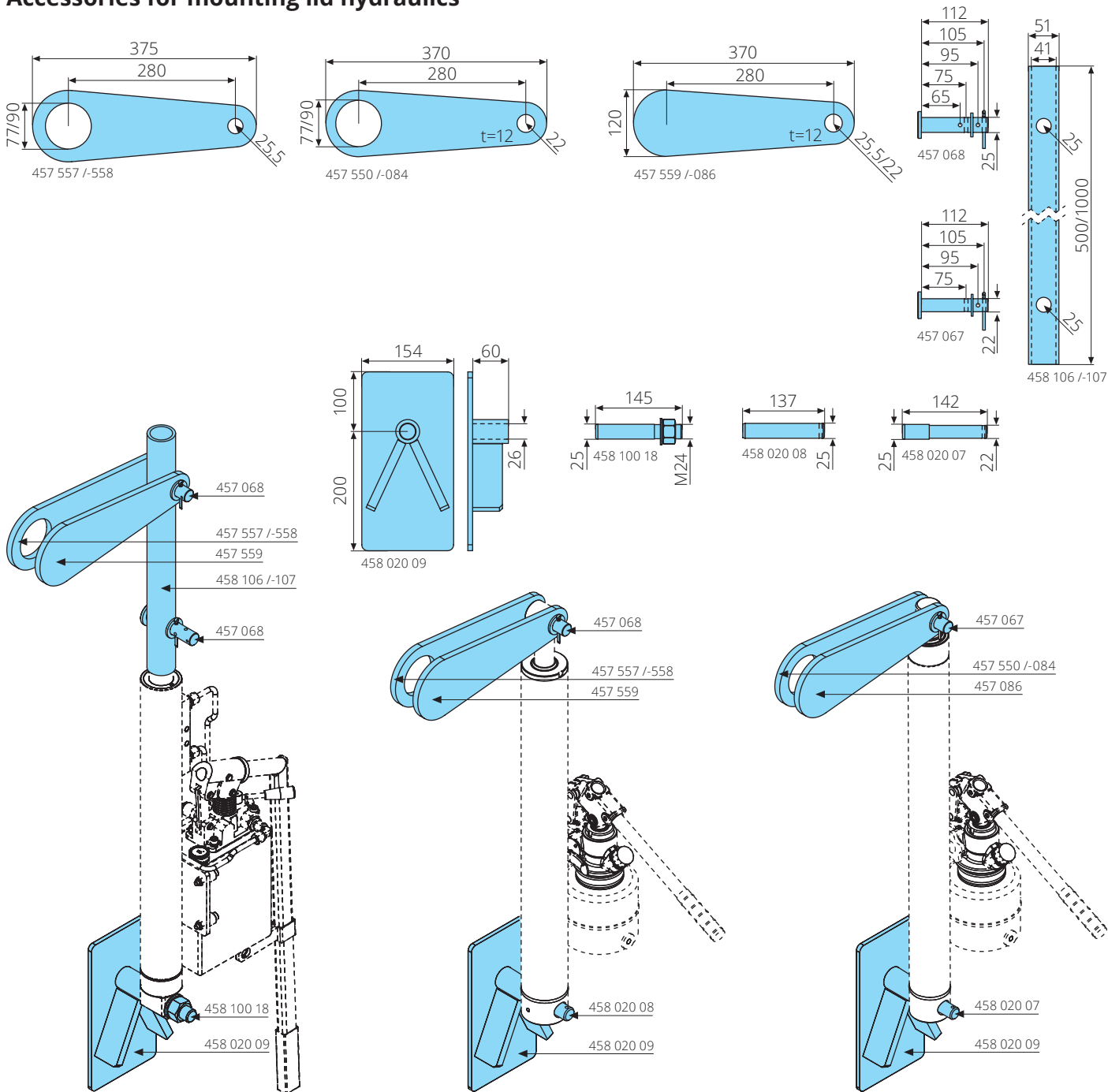
458 028



458 025

Article no.	Product	Description
458 013	Valve with hand wheel	plastic hand wheel
458 014	Hand wheel	plastic
458 028	Filler neck	plastic
458 025	Filter set for hand pumps	with filter, hose & seal

Accessories for mounting lid hydraulics

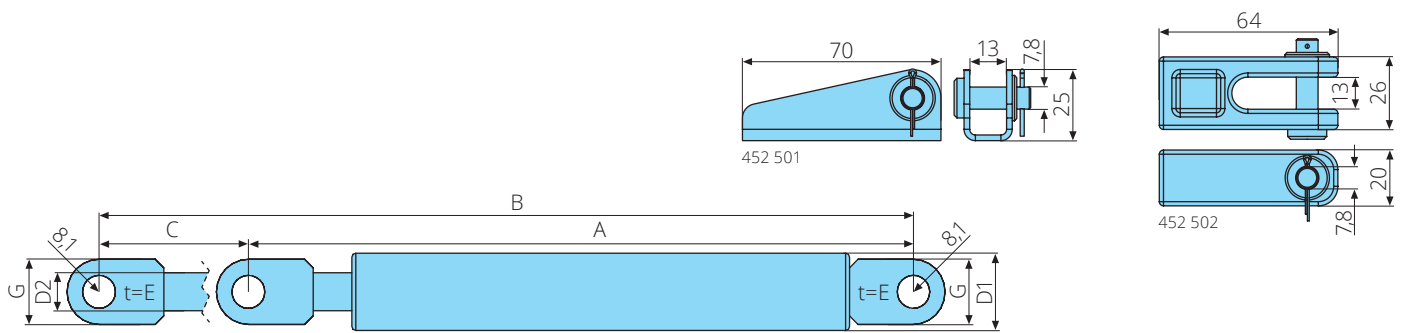


Article no.	Product	Description
457 557	Jack arm	L=375mm, t=12mm, d=77, bore for bolt d=25,5mm
457 558	Jack arm	L=375mm, t=12mm, d=90, bore for bolt d=25,5mm
457 559	Jack arm	L=370mm, t=12mm, bore for bolt d=25,5mm
457 550	Jack arm	L=370mm, t=12mm, d=77mm, bore for bolt d=22mm
457 084	Jack arm	L=370mm, t=12mm, d=90mm, bore for bolt d=22mm
457 086	Jack arm	L=370mm, t=12mm, bore for bolt d=22mm
457 068	Bolt	25x112mm, with cotter pin & washer, 4 bores
457 067	Bolt	22x112mm, with cotter pin & washer, 3 bores, for single acting cylinder top

Article no.	Product	Description
458 106	Hydraulic extension	41-51-500mm
458 107	Hydraulic extension	41-51-1000mm

Article no.	Product	Description
458 020 09	Zylinderabstützung	d=26mm, ohne Bolzen
458 100 18	Adapterbolzen	25x145mm, für Zylinder- & Windenabstützung d=26mm, mit Mutter M24
458 020 07	Adapterbolzen	22x142mm, für Zylinderabstützung 458 020 09, mit Splintloch
458 020 08	Adapterbolzen	25x137mm, für Zylinderabstützung 458 020 09, mit Splintloch

# Gas springs

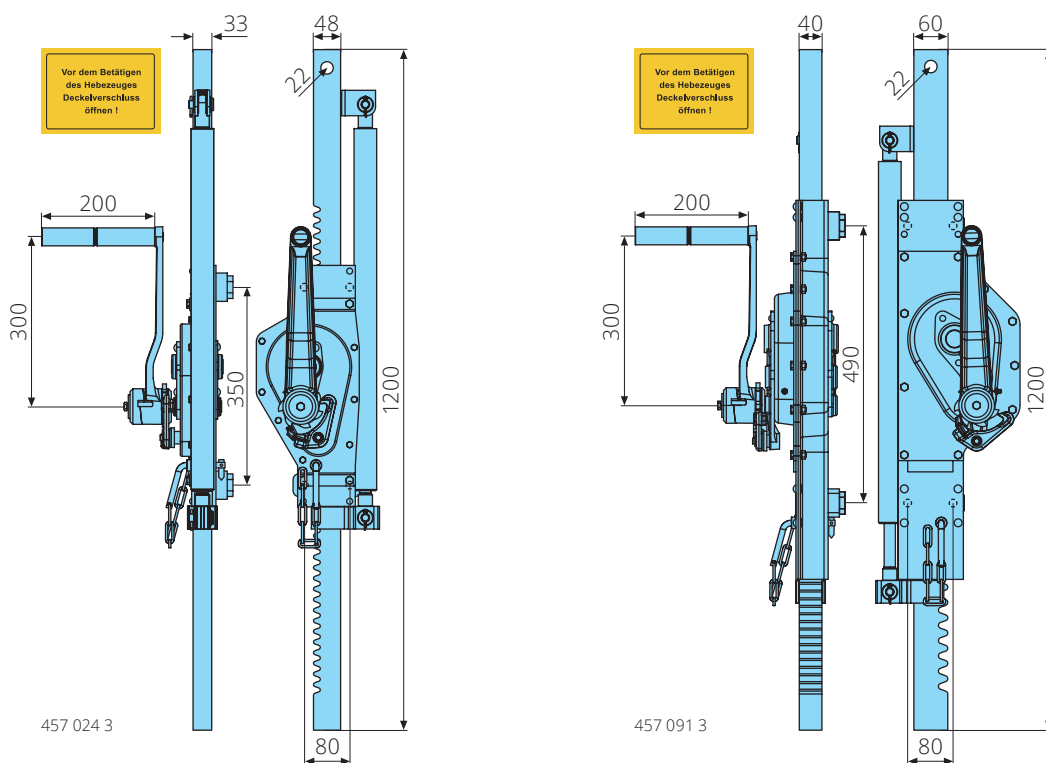


Article no.	Product	Spring force	Stroke C	Lenght A	Lenght B	Clinder D1	Piston D2	Eyes			
452 500	Gas spring	250N	100mm	201mm	300,5mm	22mm	10mm	E = 12mm G = 17mm Eyes with thread			
452 505	Gas spring	500N		150mm	295mm				444,5mm		
452 510	Gas spring	250N	200mm		305mm				504,5mm		
452 515	Gas spring	500N		250mm	402mm				651,5mm		
452 520	Gas spring	750N	300mm		451mm				750,5mm		
452 525	Gas spring	1000N		300mm	450mm				749,5mm		
452 530	Gas spring	250N	400mm		496,5mm				896,5mm		
452 535	Gas spring	500N		100mm	185mm				285mm	22mm	10mm
452 540	Gas spring	750N	150mm		235mm				385mm		
452 545	Gas spring	1000N		200mm	285mm				485mm		
452 550	Gas spring	250N	250mm		335mm	585mm					
452 555	Gas spring	500N		300mm	385mm	685mm					
452 560	Gas spring	750N	400mm		490mm	890mm					
452 565	Gas spring	1000N									
452 571	Gas spring	500N									
452 575	Gas spring	750N									
452 580	Gas spring	1000N									
452 585	Gas spring	1250N									
452 590	Gas spring	1500N									
452 595	Gas spring	500N									
452 600	Gas spring	750N									
452 605	Gas spring	1000N									
452 610	Gas spring	1250N									
452 615	Gas spring	1500N									
452 620	Gas spring	2000N									
452 625	Gas spring	250N									
452 630	Gas spring	500N									
452 635	Gas spring	250N									
452 640	Gas spring	500N									
452 645	Gas spring	750N									
452 650	Gas spring	1000N									
452 655	Gas spring	1150N									
452 660	Gas spring	250N									
452 665	Gas spring	500N									
452 670	Gas spring	750N									
452 675	Gas spring	1000N									
452 680	Gas spring	1150N									
452 685	Gas spring	250N									
452 690	Gas spring	500N									
452 695	Gas spring	750N									
452 700	Gas spring	1000N									
452 705	Gas spring	1150N									
452 710	Gas spring	500N									
452 715	Gas spring	750N									
452 720	Gas spring	1000N									
452 725	Gas spring	1150N									
452 730	Gas spring	500N									
452 735	Gas spring	750N									
452 740	Gas spring	950N									

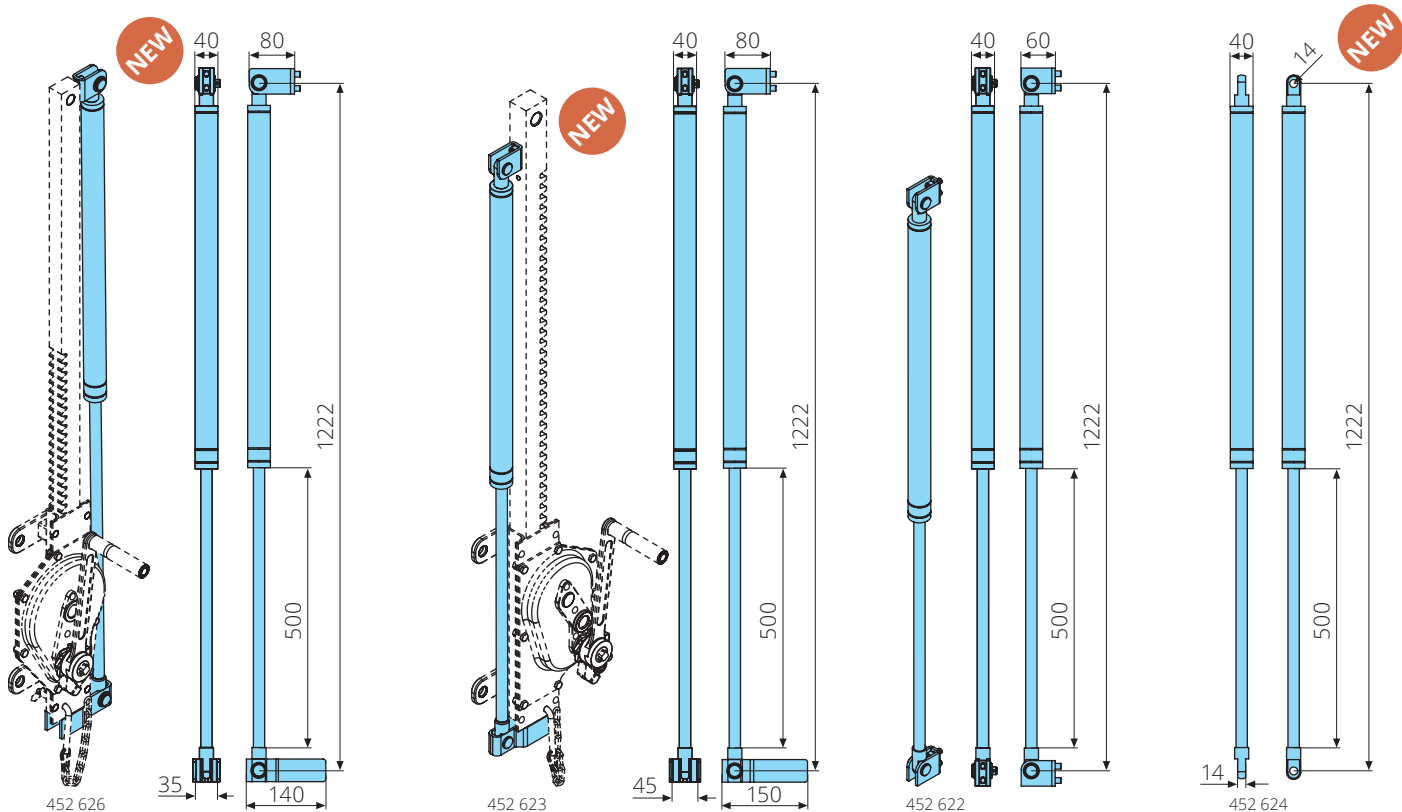
Article no.	Product	Description
452 502	Bracket for gas spring	with pin, cotter pin & washer
452 501	Bracket for gas spring	with pin, cotter pin & washer

# Container wall jacks with gas spring

Utility model DE 20 2009 007 876.0

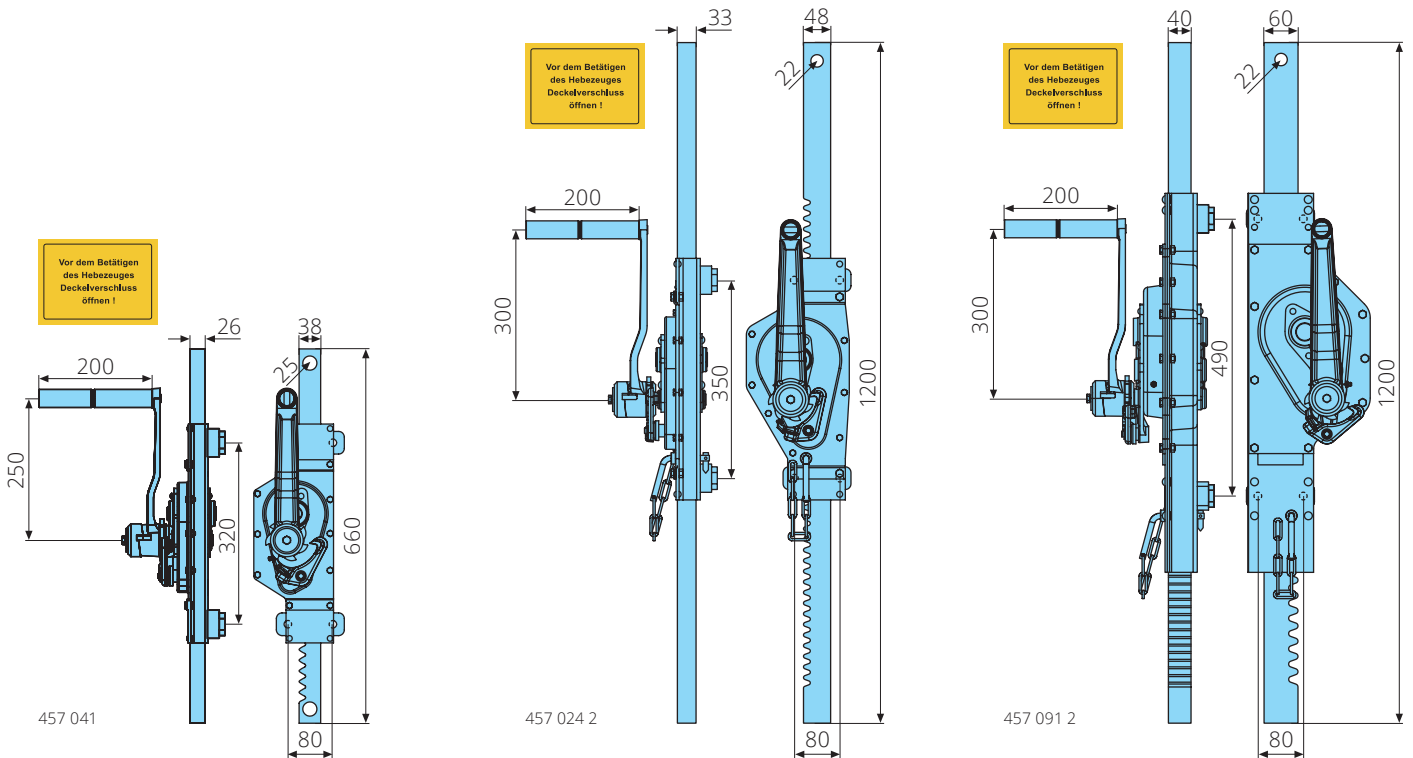


Article no.	Product	Description
457 024 3	Container wall jack	lifting force 3t, lifting capacity 5t, stroke 500mm, with gas spring 452 626 & safety pin
457 091 3	Container wall jack	lifting force 5t, lifting capacity 10t, stroke 500mm, with gas spring 452 622 & safety pin



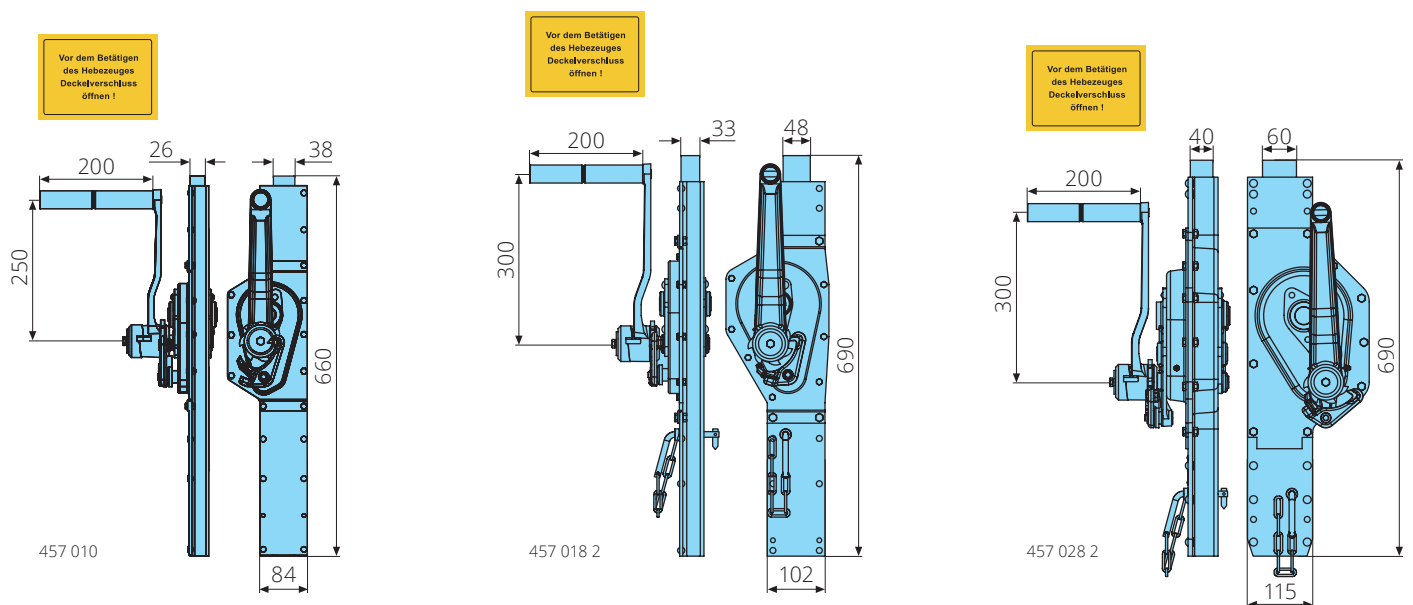
Article no.	Product	Description
452 626	Gas spring with mounting set for 3t jack	5000N, stroke 500mm, eyes with thread, total length 1222mm
452 623	Gas spring with mounting set for 5t jack	5000N, stroke 500mm, eyes with thread, total length 1222mm
452 622	Gas spring with mounting set for jacks	5000N, stroke 500mm, eyes with thread, total length 1222mm
452 624	Gas spring	5000N, stroke 500mm, eyes with thread, total length 1222mm

## Container wall jacks



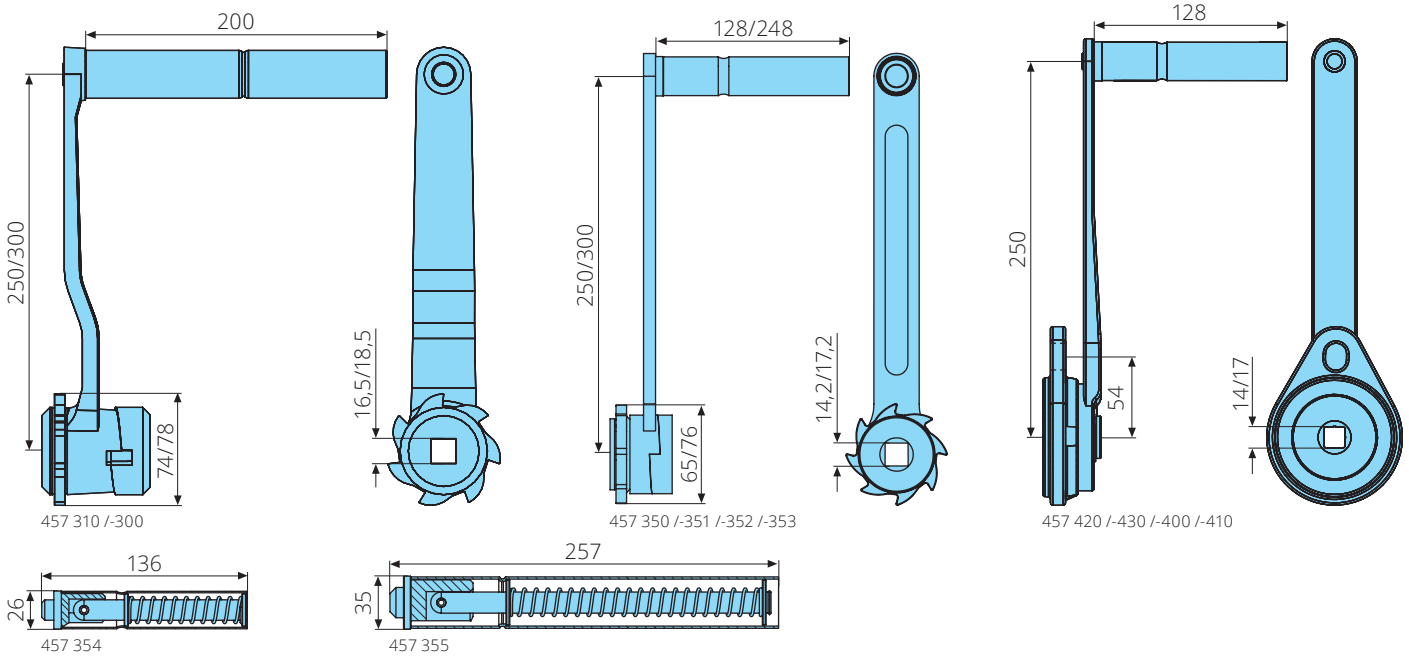
Article no.	Product	Description
457 041	Container wall jack	lifting force 1,75t, lifting capacity 2,5t, stroke 350mm,
457 024 2	Container wall jack	lifting force 3t, lifting capacity 5t, stroke 800mm, with safety pin
457 091 2	Container wall jack	lifting force 5t, lifting capacity 10t, stroke 800mm, with safety pin

## Container jacks

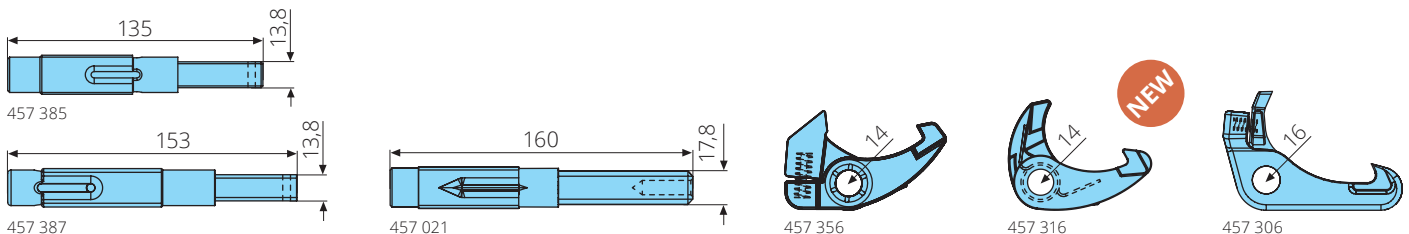


Article no.	Product	Description
457 010	Container jack	lifting force 1,75t, lifting capacity 2,5t, stroke 345mm
457 018 2	Container jack	lifting force 3t, lifting capacity 5t, stroke 360mm, with safety pin
457 028 2	Container jack	lifting force 5t, lifting capacity 10t, stroke 345mm, with safety pin

Accessories for jacks



Article no.	Product	Description
457 310	Crank	L=250mm, square 16,5mm, with coupling, type BRANO
457 300	Crank	L=300mm, square 18,5mm, with coupling, type BRANO
457 350	Safety crank	L=250mm, square 14,2mm, D=65mm, galvanized
457 351	Safety crank	L=250mm, square 17,2mm, D=65mm, galvanized
457 352	Safety crank	L=300mm, square 14,2mm, D=76mm
457 353	Safety crank	L=300mm, square 17,2mm, D=76mm
457 420	Pressure roller crank	L=250mm, square 14mm, with foldable handle
457 430	Pressure roller crank	L=250mm, square 17mm, with foldable handle
457 400	Aluminum safety crank	L=250mm, square 14mm, with foldable handle
457 410	Aluminum safety crank	L=250mm, square 17mm, with foldable handle
457 354	Foldable handle	L=136mm, for safety crank & pressure roller crank L=250mm
457 355	Foldable handle	L=257mm, for safety crank L=300



Article no.	Product	Description
457 385	Crank drive	L=135mm, square 13,8mm, for 3t jacks, type HZE/BÖCKER
457 387	Crank drive	L=153mm, square 13,8mm, for 5t jackx, type HZE/BÖCKER
457 021	Crank drive	L=160mm, square 17,8mm, for 3,5t jacks, type REWALD/BRANO
457 356	Repair kit	d=14mm, for 1,5-5t jacks, with spring, pin, clamping rings, large & small pawls, type BÖCKER/HZE
457 316	Repair kit	d=14mm, with spring, large & small pawl, type HAACON
457 306	Repair kit	d=16mm, with spring, large & small pawl, type REWALD/BRANO

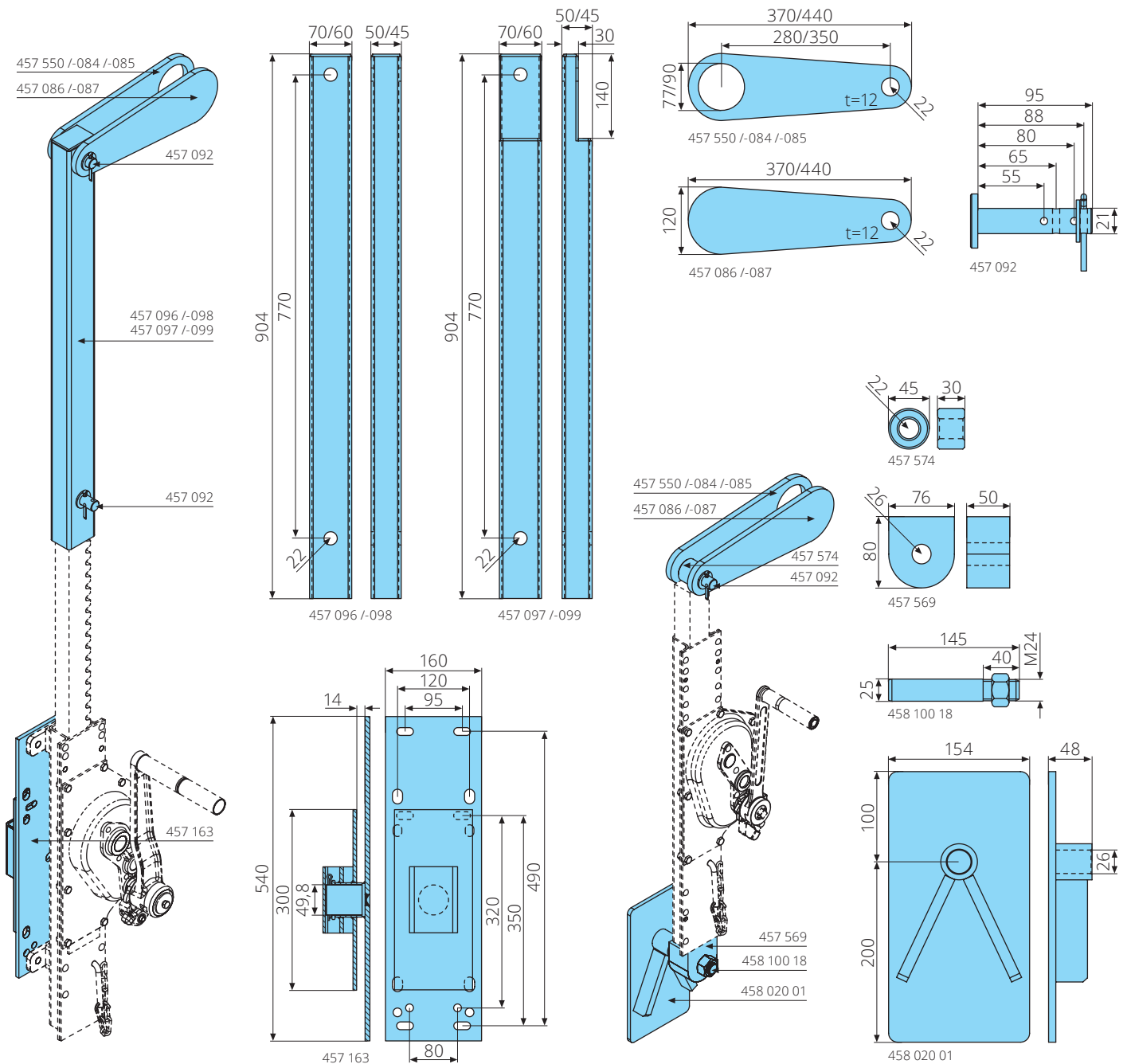
**Vor dem Betätigen  
des Hebezeuges  
Deckverschluss  
öffnen !**

459 229 /-229 1

Article no.	Product	Description
459 229 1	PVC sticker "Deckverschluss öffnen!"	210x150mm
459 229	PVC sticker "Deckverschluss öffnen!"	210x150mm, 2 stickers/sheet



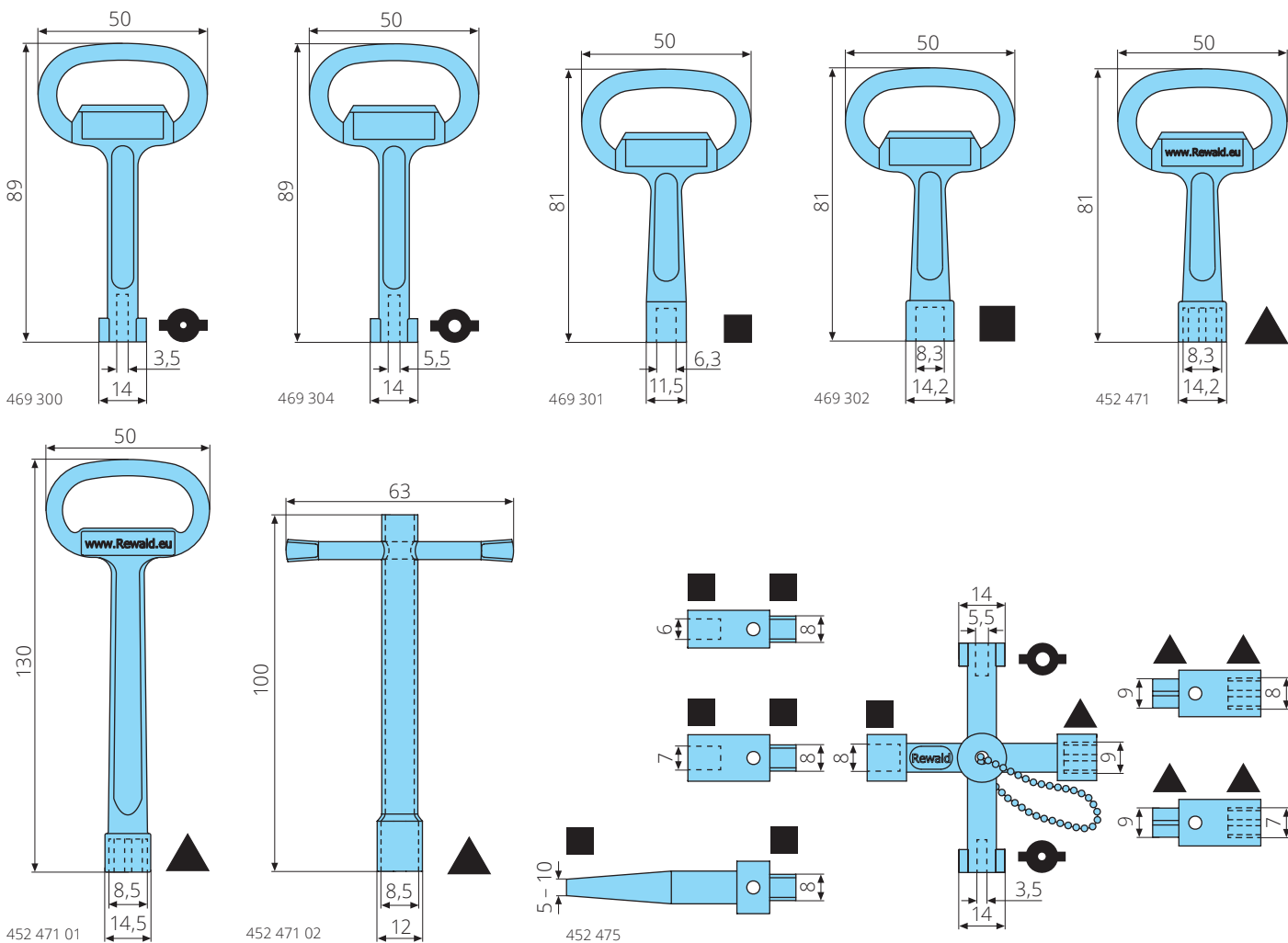
## Accessories for mounting jacks



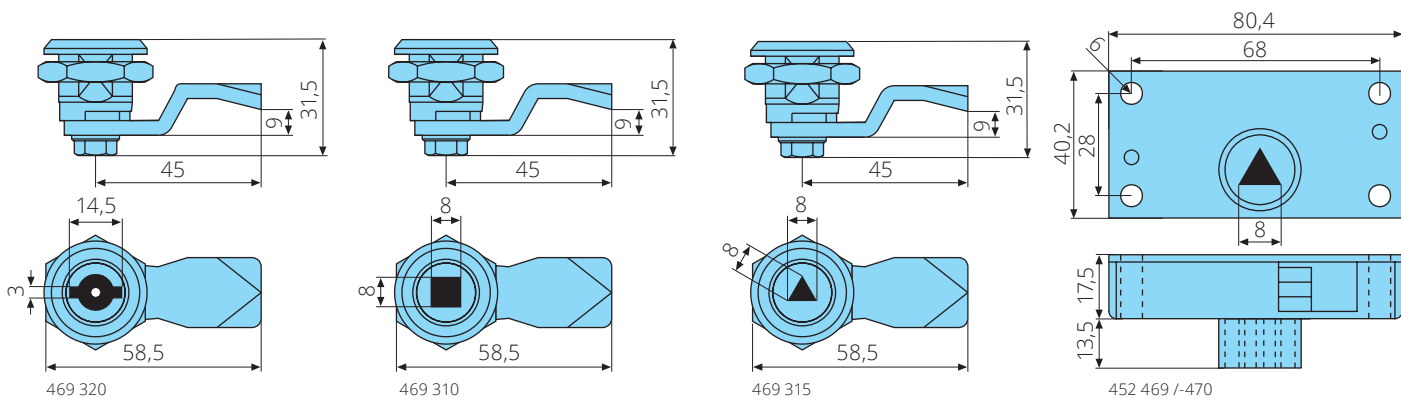
Accessories for jacks / Accessories for mounting jacks

Article no.	Product	Description
457 550	Jack arm	L=370mm, t=12mm, d=77mm, bore for bolt d=22mm
457 084	Jack arm	L=370mm, t=12mm, d=90mm, bore for bolt d=22mm
457 085	Jack arm	L=440mm, t=12mm, d=90mm
457 086	Jack arm	L=370mm, t=12mm, bore for bolt d=22mm
457 087	Jack arm	L=440mm, t=12mm
457 092	Bolt	21x95mm, with cotter pin & washer, 4 bores, for jack extensions & jacks
Article no.	Product	Description
457 096	Jack extension	904x70x50mm, for 5t jacks 457 091 2 /-091 3 /-028 2
457 097	Jack extension	904x70x50/30mm, for 5t jacks 457 091 2 /-091 3 /-028 2, with shoulder
457 098	Jack extension	904x60x45mm, for 3t jacks 457 024 2 /-024 3 /-018 2
457 099	Jack extension	904x60x45/30mm, for 3t jacks 457 024 2 /-024 3 /-018 2, with shoulder
Article no.	Product	Description
457 163	Mounting kit for jacks	160x430mm, with mounting plate, bolt, bushing & cover, for container wall jacks
457 574	Jack bushing	d=22mm, for welding, top
457 569	Jack bushing	d=26mm, for welding, bottom
458 020 01	Jack mounting	d=26mm, without bolt
458 100 18	Adapter bolt	25x145mm, for cylinder & jack mounting d=26mm, with nut M24

Locks & keys



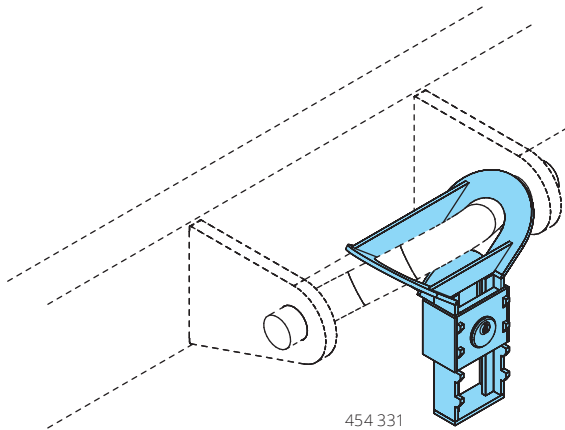
Article no.	Product	Description
469 300	Double bit key	3x14mm, L=89mm, zinc die casting
469 304	Double bit key	5x14mm, L=89mm, zinc die casting
469 301	Square key	6x11,5mm, L=81mm, internal, zinc die casting
469 302	Square key	8x14,2mm, L=81mm, internal, zinc die casting
452 471	Triangular key	8,3x14,2mm, internal, zinc die casting
452 471 01	Triangular key	8,5x14,5mm, internal, L=130mm, zinc die casting
452 471 02	Triangular key	8,5x12mm, internal, L=100mm, galvanized
452 475	Multi way key	zinc die casting, 9 functions, 5 adapters



Article no.	Product	Description
469 320	Double bit lock	3mm, 45mm tongue, cranking 9mm, galvanized
469 310	Square lock	8mm, 45mm tongue, cranking 9mm, galvanized
469 315	Triangular lock	8mm, 45mm tongue, cranking 9mm, galvanized
452 469	Triangular lock	8mm, open-closed, galvanized
452 470	Triangular lock	8mm, automatic lock, galvanized

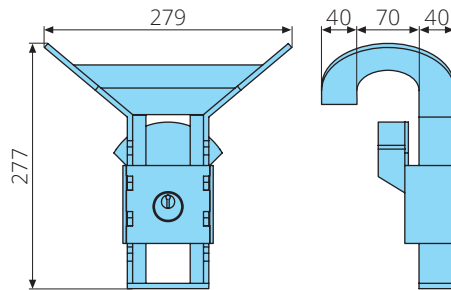
## Anti theft & locking devices for roll-off containers

- mobil & für verschieden geformte Bügel D=50/60
- mit IKON Schließzylinder & 2 Schlüsseln
- verhindert nach Anbringung eine unbefugte Aufnahme
- als gleichschließende Version mit Aufpreis erhältlich



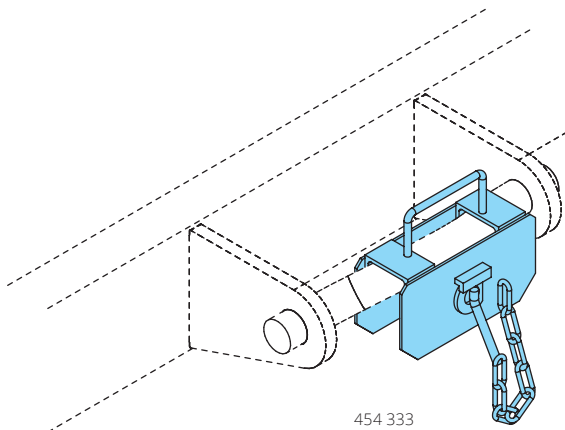
454 331

DE-Patent DE 10 2005 031 205.5

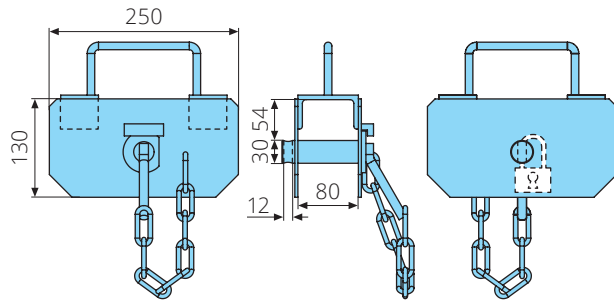


Article no.	Product	Description
454 331	Anti theft device	for roll-off containers, with locking cylinder type IKON & 2 keys, S355J2, galvanized
454 332	Additional charge for multiple locks	

- mobil & für verschieden geformte Bügel D=50/60
- kennzeichnet besetzte Container
- optional mit einem Vorhängeschloss gegen Diebstahl zu sichern

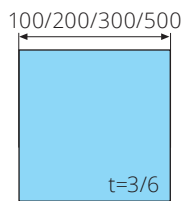


454 333

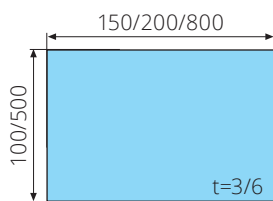


Article no.	Product	Description
454 333	Locking device for lifting bar	for roll-off containers, S355J2, galvanized

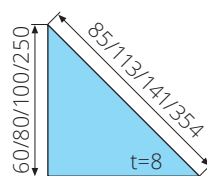
## Repair plates



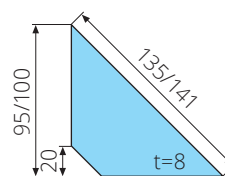
459 083 /-082 /-081 /-050



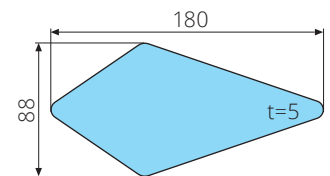
459 085 /-084 /-051



459 189 /-187 /-188 /-186



459 193 /-192

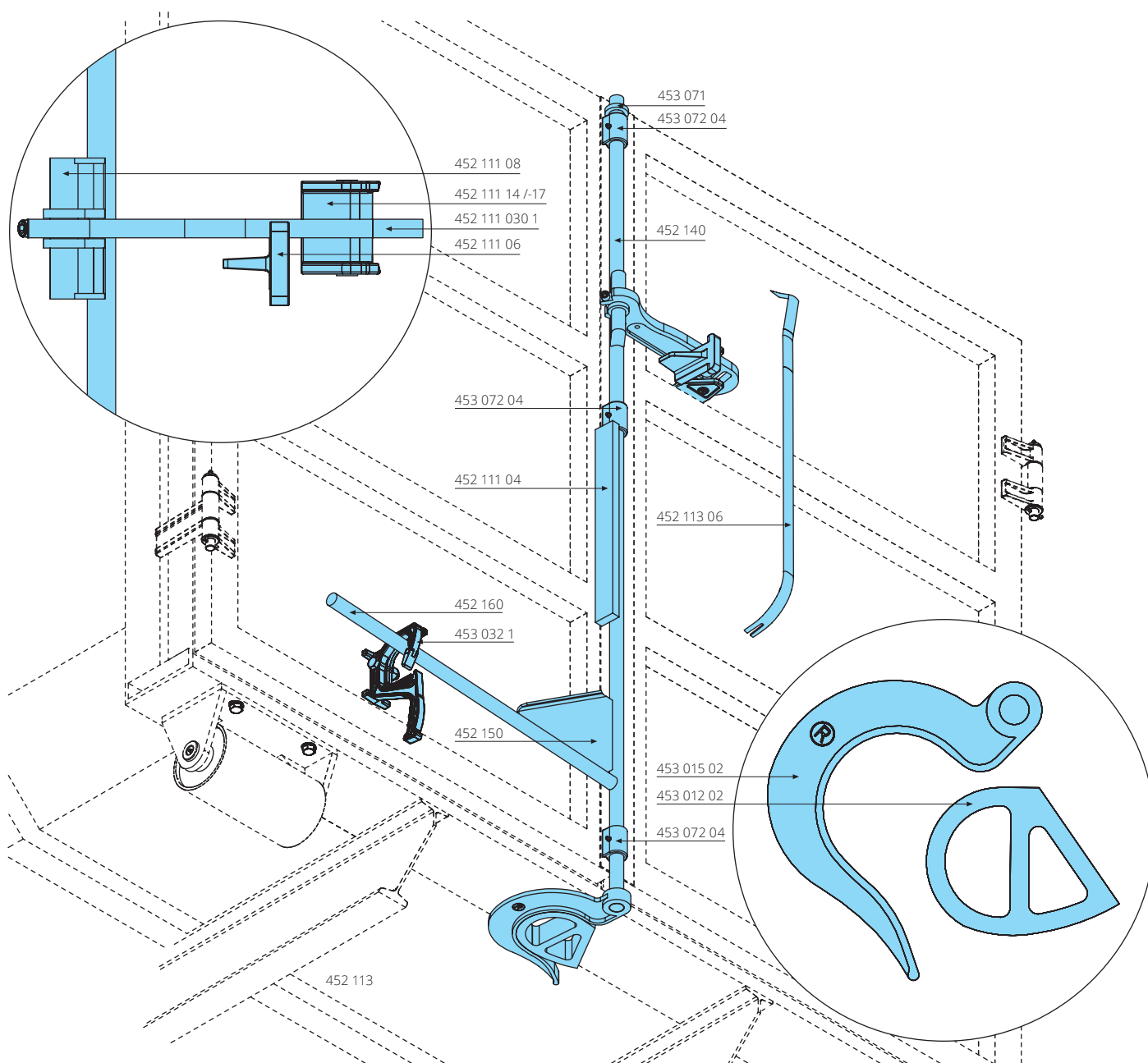


454 283

Article no.	Product	Description
459 083	Plate	100x100x3mm, square
459 082	Plate	200x200x3mm, square
459 081	Plate	300x300x3mm, square
452 050	Plate	500x500x6mm, square
459 085	Plate	150x100x3mm, rectangular
459 084	Plate	200x100x3mm, rectangular
452 051	Plate	500x800x6mm, rectangular
459 189	Plate	60x60x85x8mm, triangular
459 187	Plate	80x80x113x8mm, triangular
459 188	Plate	100x100x141x8mm, triangular
459 186	Plate	250x250x354x8mm, triangular
459 193	Plate	95x95x135x10mm, trapezoidal
459 192	Plate	100x100x141x10mm, trapezoidal
454 283	Reinforcement Plate	180x88x5mm, kite shaped

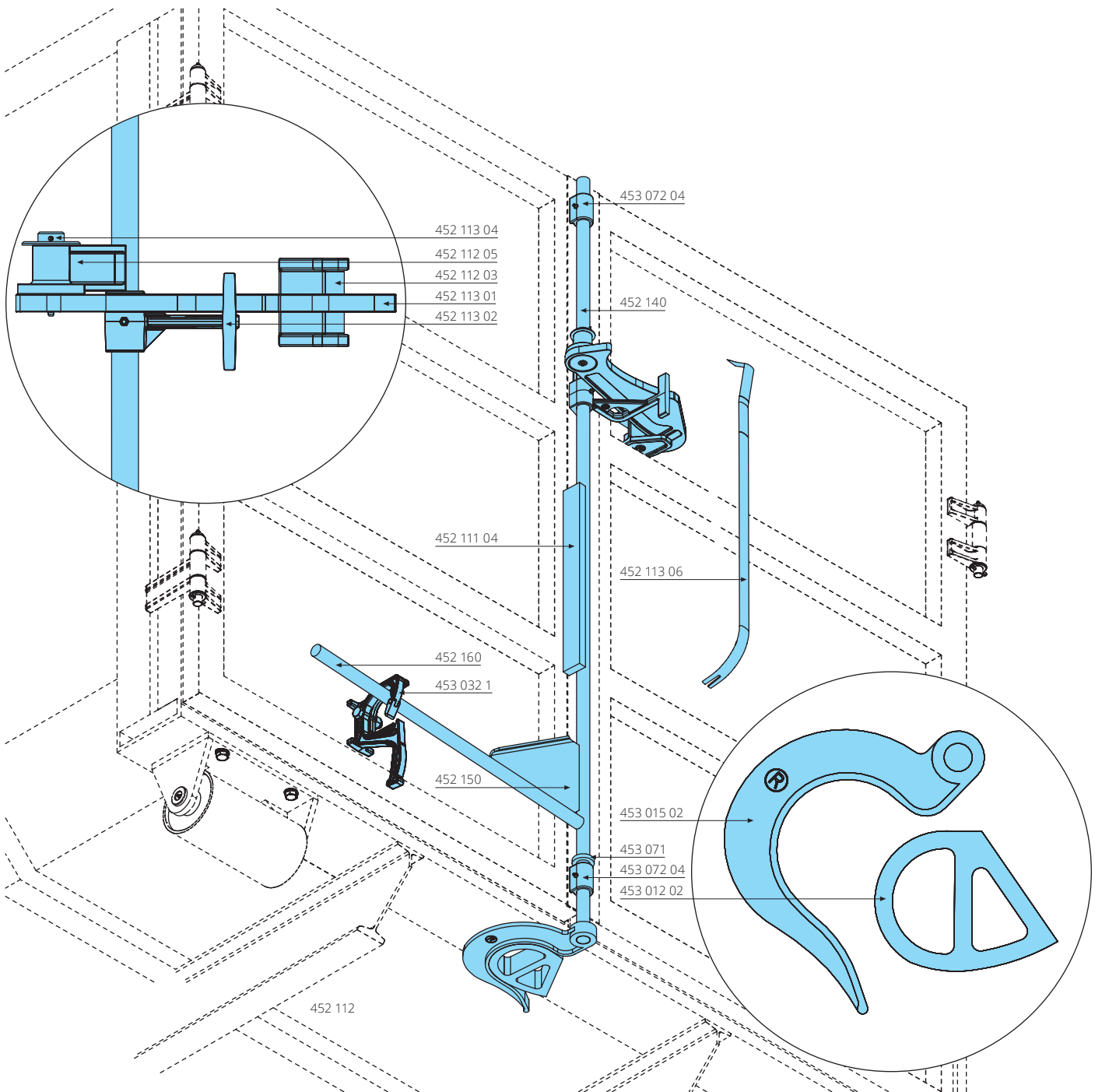
Over centre door lock stroke 100mm

EU-Patent EP 2554770 / Utility model DE 20 2015 002 989.2



Article no.	Product	Description
452 113	Over centre door lock	stroke 100m
452 111 030 1	Hook	forged, with allen screw
452 111 06	Guide	cast steel
452 111 08	Lever	cast steel
452 111 14	Seat for hook	for frame depth 50mm, cast steel
452 111 17	Seat for hook	for frame depth 60mm, cast steel
453 072 04	Bushing	31-45-69mm, with lubrication M8x1, cast steel
453 071	Washer	31-50-10mm, S355J2, can be welded to top or bottom of shaft
452 140	Door lock shaft	30x2500mm, S355J2
452 160	Lever bar	30x900mm, S355J2
452 150	Gusset plate	5x200x300mm, S235JR
453 032 1	Safety lock for lever bar	for lever bar D=30/40mm, forged, handle galvanized
452 111 04	Guard plate	20x50x500mm, S235JR
453 015 02	Door locking hook	d=32mm, t=30mm, S355J2
453 012 02	Seat for door locking hook	t=50mm, S355J2
452 113 06	Crowbar	L=750mm

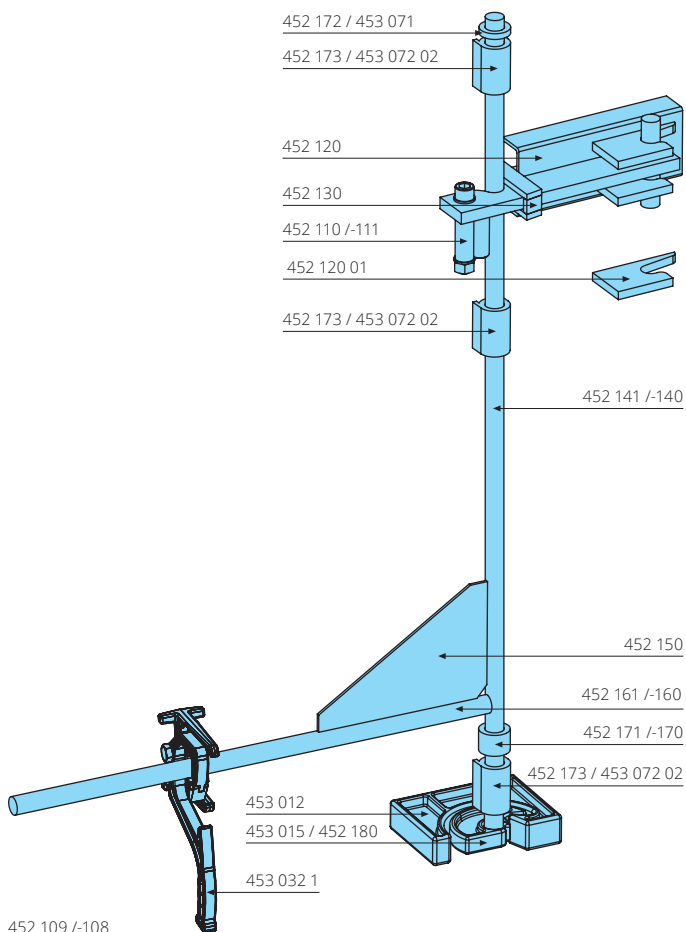
## Over centre door lock stroke 200mm



Over centre door lock stroke 100mm / stroke 200mm

Article no.	Product	Description
452 112	Over centre door lock	stroke 200m
452 113 01	Hook	cast steel
452 113 02	Guide	cast steel
452 113 04	Bolt	29,9x85mm, with lubrication, washer & cotter pin
452 112 03	Hook Seat	cast steel
452 112 05	Lever	cast steel
453 072 04	Bushing	31-45-69mm, with lubrication M8x1, cast steel
453 071	Washer	31-50-10mm, S355J2, can be welded to top or bottom of shaft
452 140	Door lock shaft	30x2500mm, S355J2
452 160	Lever bar	30x900mm, S355J2
452 150	Gusset plate	5x200x300mm, S235JR
453 032 1	Safety lock for lever bar	for lever bar D=30/40mm, forged, handle galvanized
452 111 04	Guard plate	20x50x500mm, S235JR
453 015 02	Door locking hook	d=32mm, t=30mm, S355J2
453 012 02	Seat for door locking hook	t=50mm, S355J2
452 113 06	Crowbar	L=750mm

Over centre door lock standard version

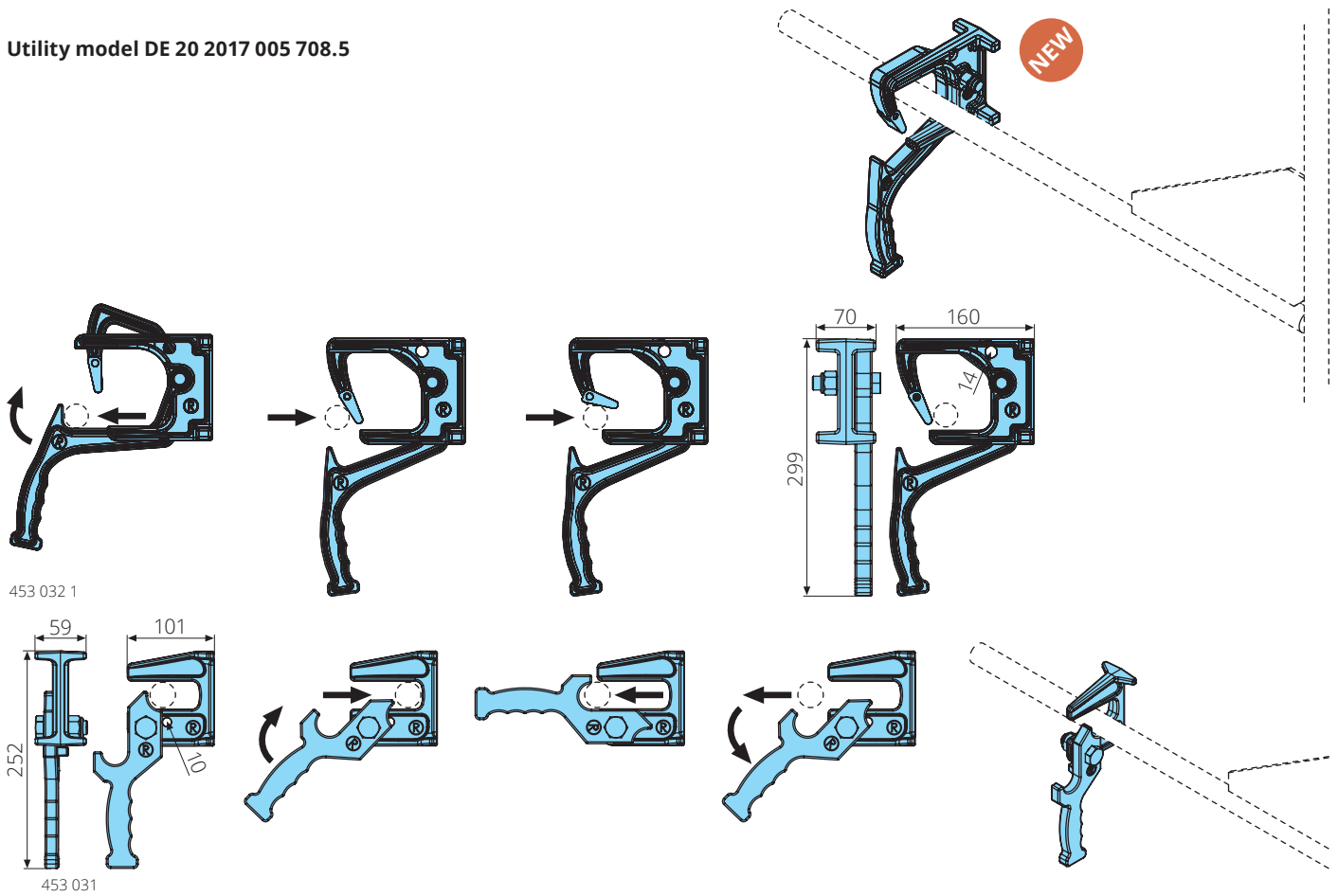


Article no.	Product	Description
452 109	Over centre door lock	D=40mm
452 110	Pin	L=335mm, S355J2
452 111	Pin	L=460mm, S355J2
452 120	Pin yoke	S355J2
452 120 01	Pin yoke repair plate	153x80x15mm, S355J2, for pin yoke 452 120
452 130	Guide	S355J2
452 141	Door lock shaft	40x2500mm, for version D=40mm, S355J2
452 161	Lever bar	40x900mm, for version D=40mm, S355J2
452 173	Bushing	41-50-80mm, for version D=40mm, S355J2
452 171	Bushing	41-50-40mm, for version D=40mm, S355J2
452 172	Washer	d=41mm, for version D=40mm, S355J2
452 150	Gusset plate	5x200x300mm, S235JR
453 015	Door locking hook	d=41mm, for version d=40mm, t=30mm, S355J2
453 012	Seat for door locking hook	t=50mm, cast steel, S355J2
453 032 1	Safety lock for lever bar	for lever bar D=30/40mm, forged, handle galvanized

Article no.	Product	Description
452 108	Over centre door lock	D=30mm
452 110	Pin	L=335mm, S355J2
452 111	Pin	L=460mm, S355J2
452 120	Pin yoke	S355J2
452 120 01	Pin yoke repair plate	153x80x15mm, S355J2, for pin yoke 452 120
452 130	Guide	S355J2
452 140	Door lock shaft	30x2500mm, S355J2
452 160	Lever bar	30x900mm, S355J2
453 072 02	Bushing	31-50-80mm, with lubrication M8x1mm, S355J2, for version D=30mm
452 170	Bushing	31-50-40mm, for version D=30mm, S355J2
453 071	Washer	31-50-10mm, S355J2, can be welded to top or bottom of shaft
452 150	Gusset plate	5x200x300mm, S235JR
452 180	Door locking hook	d=31mm, for version D=30mm, t=30mm, S355J2
453 012	Seat for door locking hook	t=50mm, cast steel, S355J2
453 032 1	Safety lock for lever bar	for lever bar D=30/40mm, forged, handle galvanized

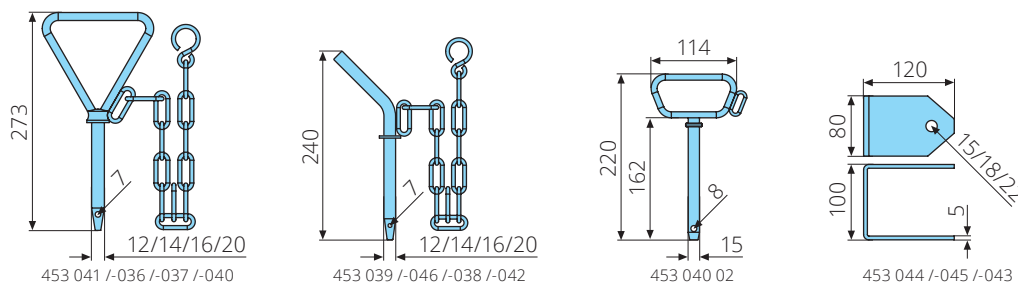
## Safety locks for lever bar

Utility model DE 20 2017 005 708.5



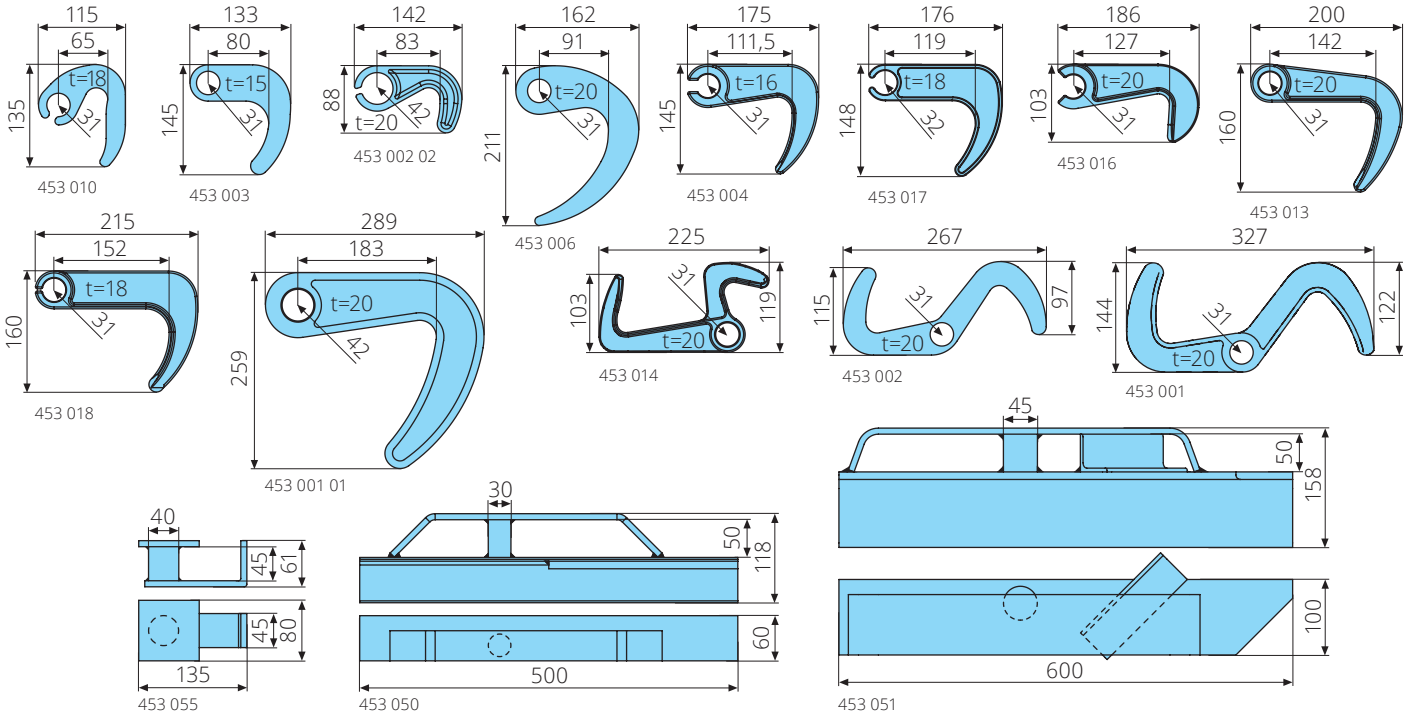
Article no.	Product	Description
453 032 1	Safety lock for lever bar	for lever bar D=30/40mm, forged, handle galvanized
453 031	Safety lock for lever bar	for lever bar D=30mm, for containers with fixed roof

## Door lock pins

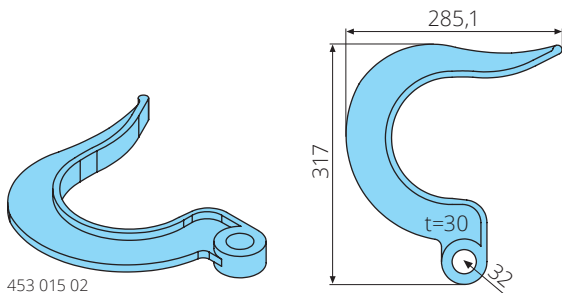


Article no.	Product	Description
453 041	Door lock pin	D=12mm, type A, galvanized, with chain
453 036	Door lock pin	D=14mm, type A, galvanized, with chain
453 037	Door lock pin	D=16mm, type A, galvanized, with chain
453 040	Door lock pin	D=20mm, type A, galvanized, with chain
453 039	Door lock pin	D=12mm, type B, galvanized, with chain
453 046	Door lock pin	D=14mm, type B, galvanized, with chain
453 038	Door lock pin	D=16mm, type B, galvanized, with chain
453 042	Door lock pin	D=20mm, type B, galvanized, with chain
453 040 02	Door lock pin	D=15mm, type C, galvanized
453 044	Seat for door lock pin	d=15mm, S235JR
453 045	Seat for door lock pin	d=18mm, S235JR
453 043	Seat for door lock pin	d=22mm, S235JR

Door locking hooks



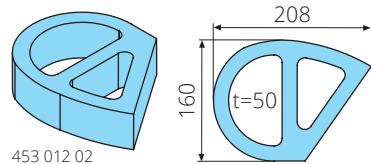
Article no.	Product	Description
453 010	Door locking hook	d=31mm, t=18mm, top, flame cut, S355J2
453 003	Door locking hook	d=31mm, t=15mm, flame cut, S355J2
453 002 02	Door locking hook	d=42mm, t=20mm, forged, S355J2
453 006	Door locking hook	d=31mm, t=20mm, flame cut, S355J2
453 004	Door locking hook	d=31mm, t=16mm, flame cut, S355J2
453 017	Door locking hook	d=32mm, t=18mm, forged, S355J2
453 016	Door locking hook	d=31mm, t=20mm, forged, S355J2
453 013	Door locking hook	d=31mm, t=20mm, forged, S355J2
453 018	Door locking hook	d=31mm, t=18mm, forged, S355J2
453 001 01	Door locking hook	d=42mm, t=20mm, forged, S355J2
453 014	Door locking hook	d=31mm, t=20mm, cast steel, S355J2
453 002	Door locking hook	d=31mm, t=20mm, flame cut, S355J2
453 001	Door locking hook	d=31mm, t=20mm, forged, S355J2
453 055	Seat for door locking hook	D=40mm, bottom
453 050	Seat for door locking hook	D=30mm, top
453 051	Seat for door locking hook	D=45mm, top, heavy-duty version



453 015 02

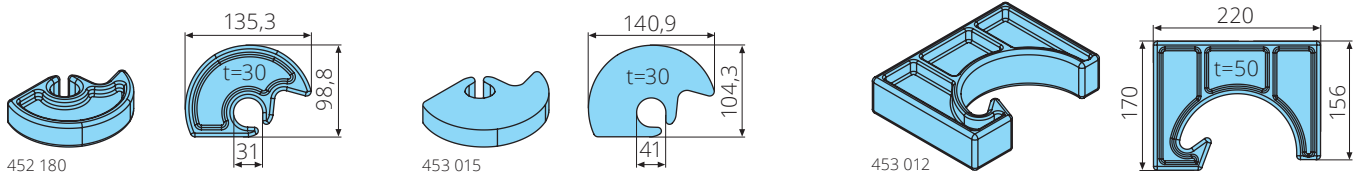
- Stärke & Formschluss gewährleisten einen sicheren Halt der Tür  
 - sehr hohe Lebensdauer

Utility model DE 20 2015 002 989.2



453 012 02

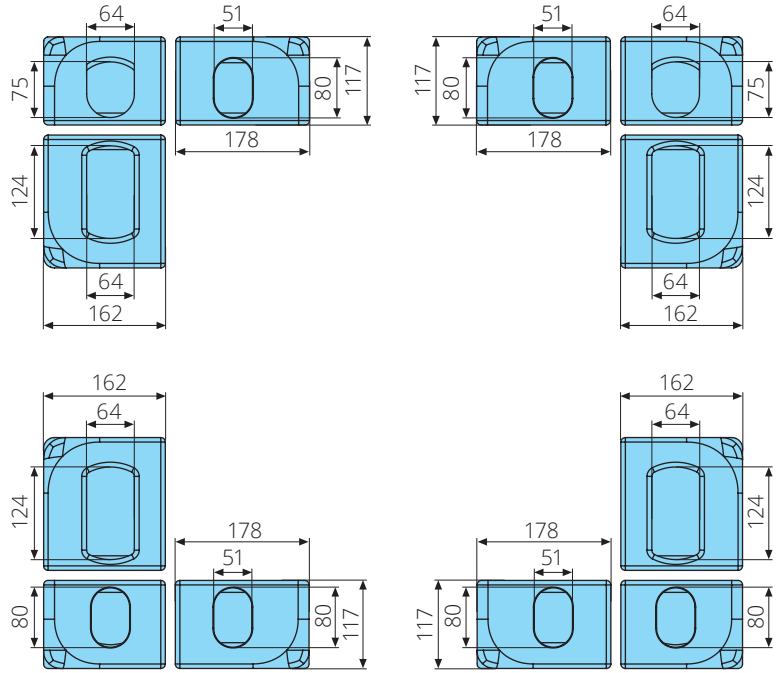
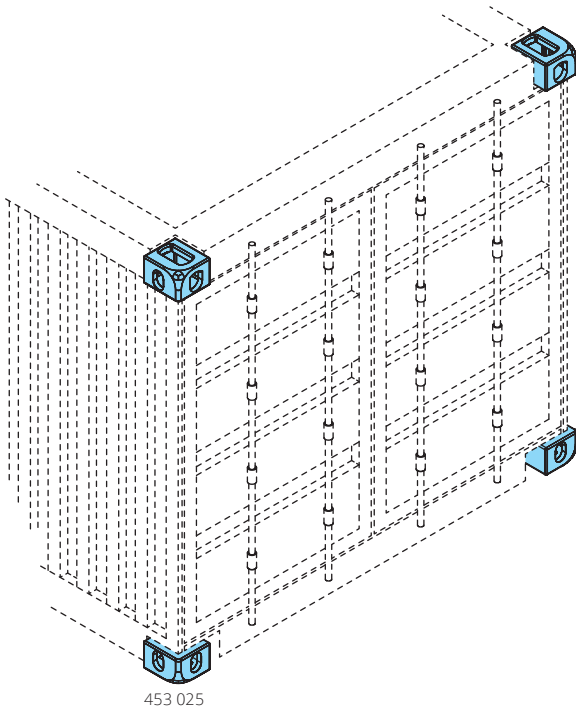
Article no.	Product	Description
453 015 02	Door locking hook	d=32mm, t=30mm, S355J2
453 012 02	Seat for door locking hook	t=50mm, S355J2



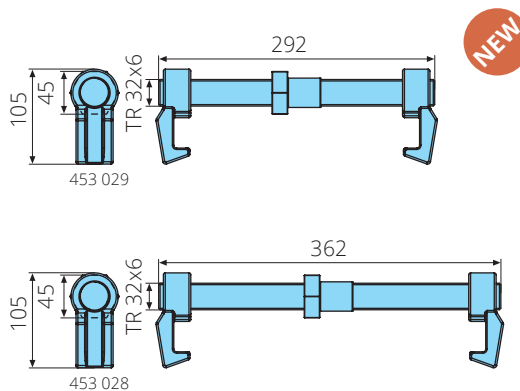
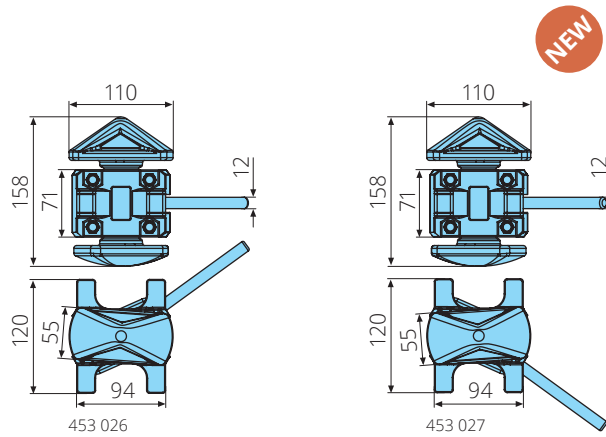
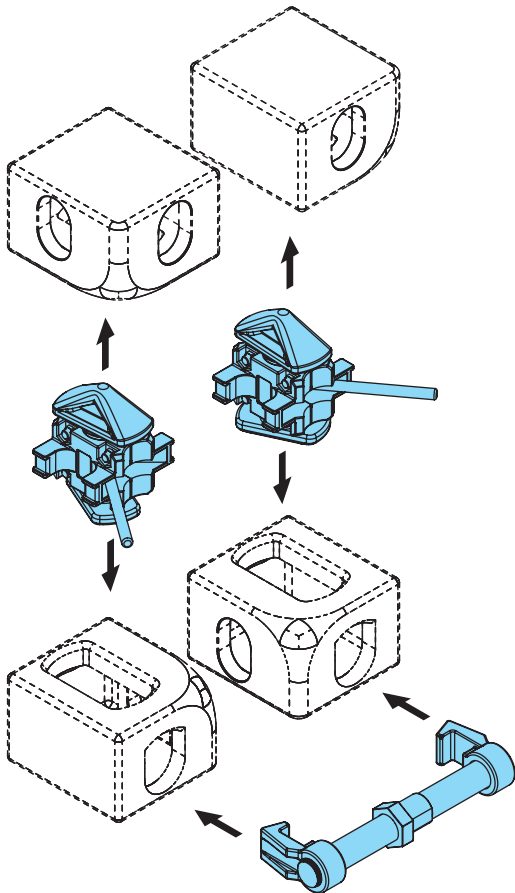
Article no.	Product	Description
452 180	Door locking hook	d=31mm, for version D=30mm, t=30mm, S355J2
453 015	Door locking hook	d=41mm, for version d=40mm, t=30mm, S355J2
453 012	Seat for door locking hook	t=50mm, cast steel, S355J2



# ISO corner fittings for cargo & platform containers



Article no.	Product	Description
453 025	Set of ISO corner fittings	1x top left, 1x top right, 1x bottom left & 1x bottom right, according to ISO 1161:1984

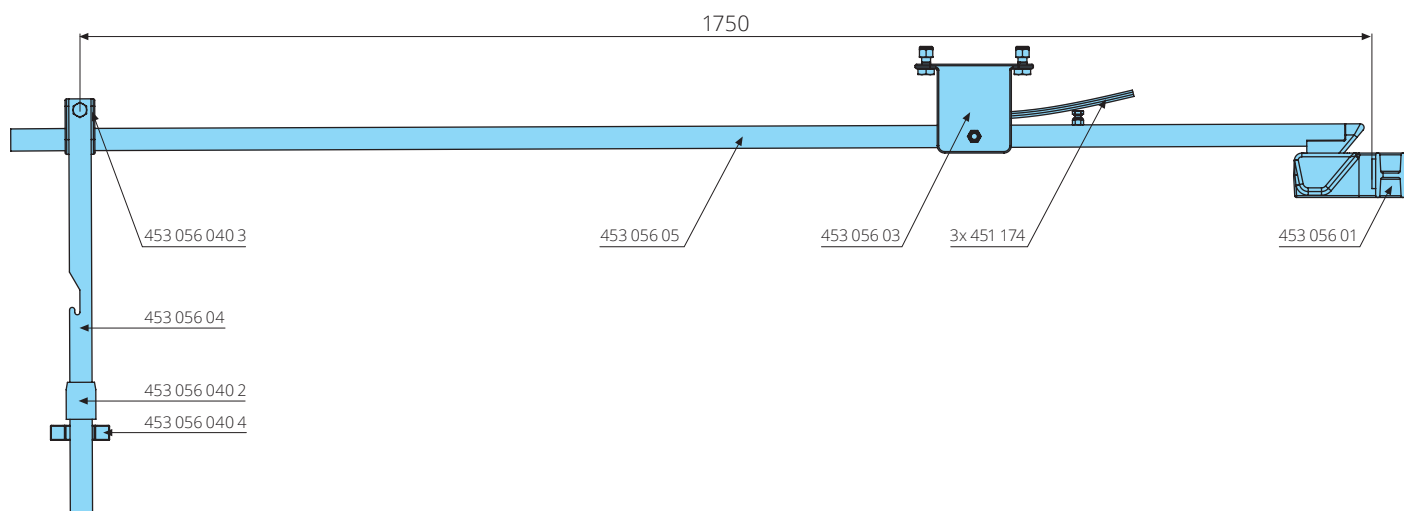
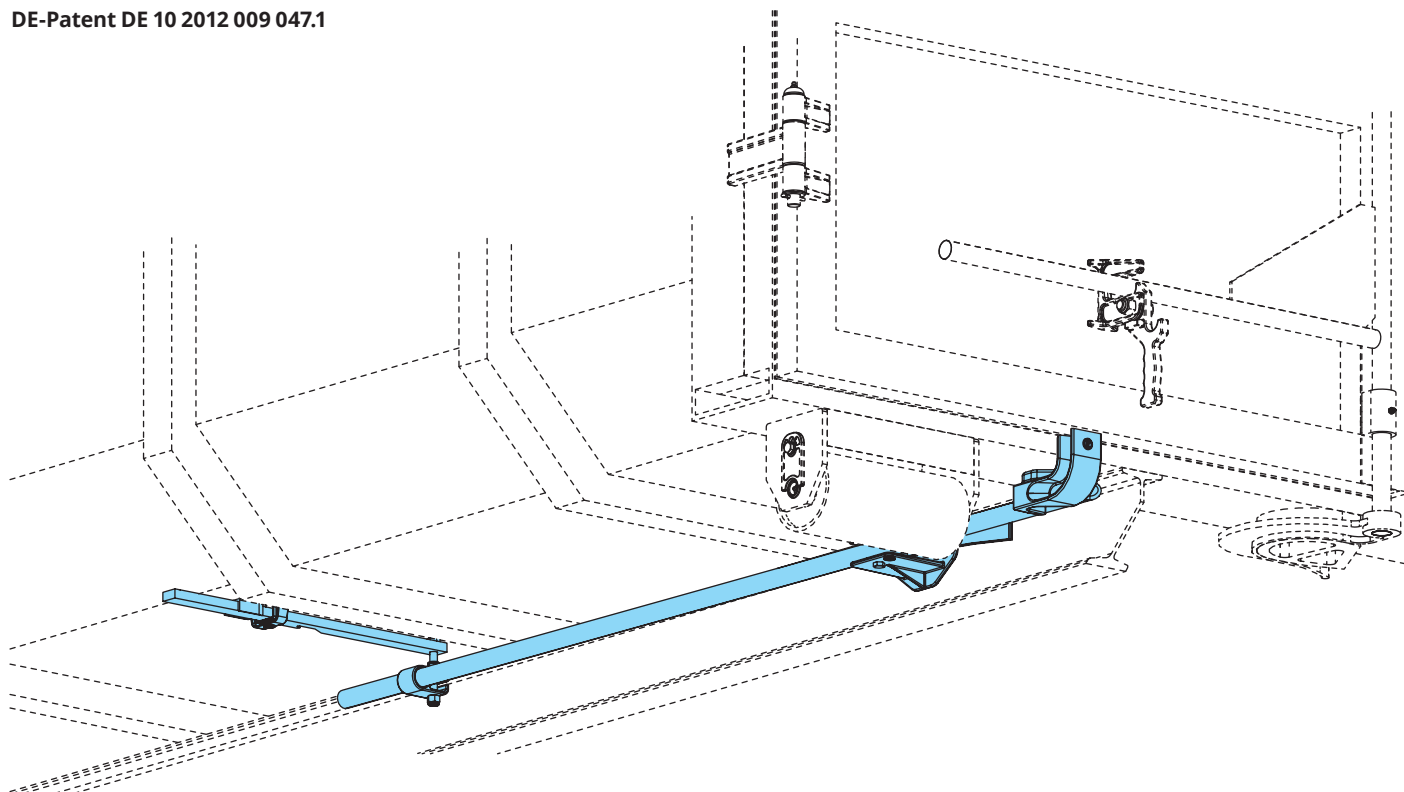


Article no.	Product	Description
453 026	Intermediate Twistlock	left
453 027	Intermediate Twistlock	right
453 029	Bridge fitting	short
453 028	Bridge fitting	long

Door locking hooks / ISO-Ecken für See- & Plattformcontainer

Automatic locking system

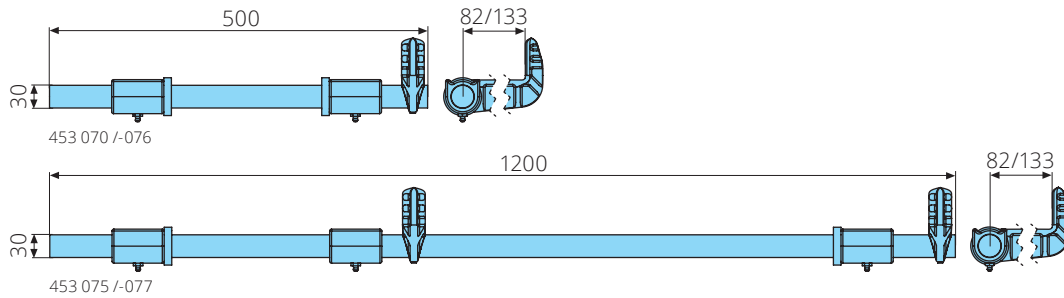
DE-Patent DE 10 2012 009 047.1



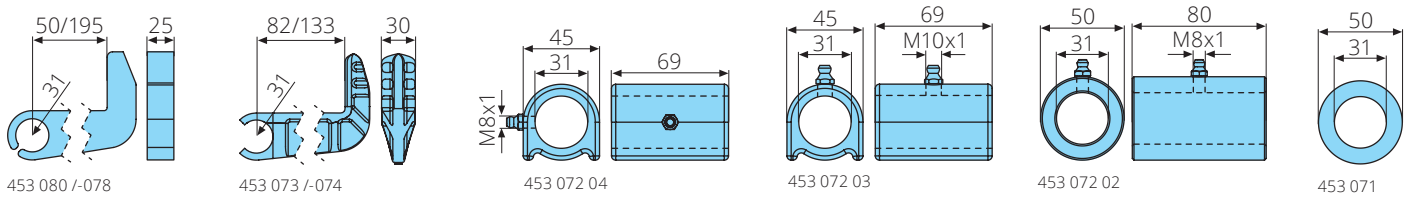
453 057

Article no.	Product	Description
453 057	Automatic locking system	L=1750mm
Article no.	Product	Description
453 056 01	Seat for hook	cast steel
453 056 05	Strut with hook	L=1800mm, strut S235R, hook cast steel
453 056 03	Mounting for strut	cast steel
451 174	Spring bar	300x30x3mm, 3 needed
453 056 04	Handle	slide profile 453 056 04 2
453 056 04 3	Bracket for handle	cast steel
453 056 04 4	U-profile	cast steel
453 056 04 2	Slide profile	50x38x20mm, plastic

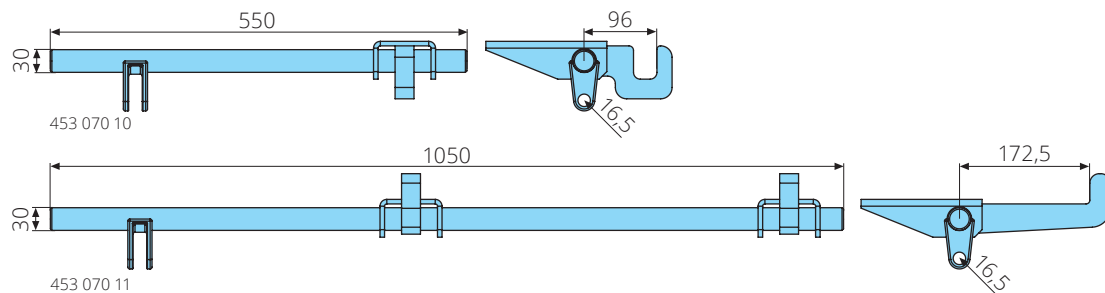
## Locking shafts



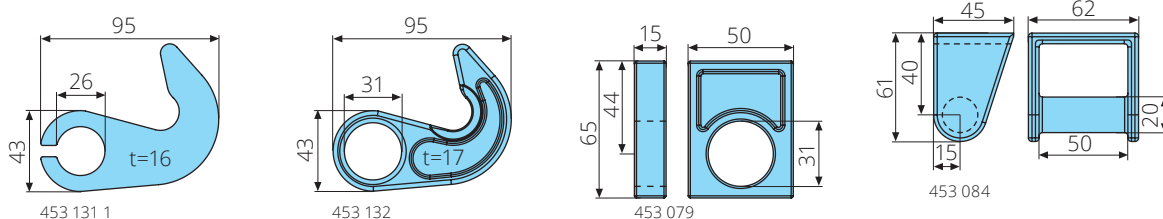
Article no.	Product	Description
453 070	Locking shaft complete	30x500mm, with hook 453 073 L=82mm
453 076	Locking shaft complete	30x500mm, with hook 453 074 L=133mm
453 075	Locking shaft complete	30x1200mm, with hook 453 073 L=82mm
453 077	Locking shaft complete	30x1200mm, with hook 453 074 L=133mm



Article no.	Product	Description
453 080	Hook	L=50mm, t=25mm, flame cut
453 073	Hook	L=82mm, t=30mm, cast steel
453 074	Hook	L=133mm, t=30mm, cast steel
453 078	Hook	L=195mm, t=25mm, flame cut
453 072 04	Bushing	31-45-69mm, with lubrication M8x1, cast steel
453 072 03	Bushing	31-45-69mm, with lubrication, M10x1, cast steel
453 072 02	Bushing	31-50-80mm, with lubrication M8x1mm, S355J2, for version D=30mm
453 071	Washer	31-50-10mm, S355J2, can be welded to top or bottom of shaft

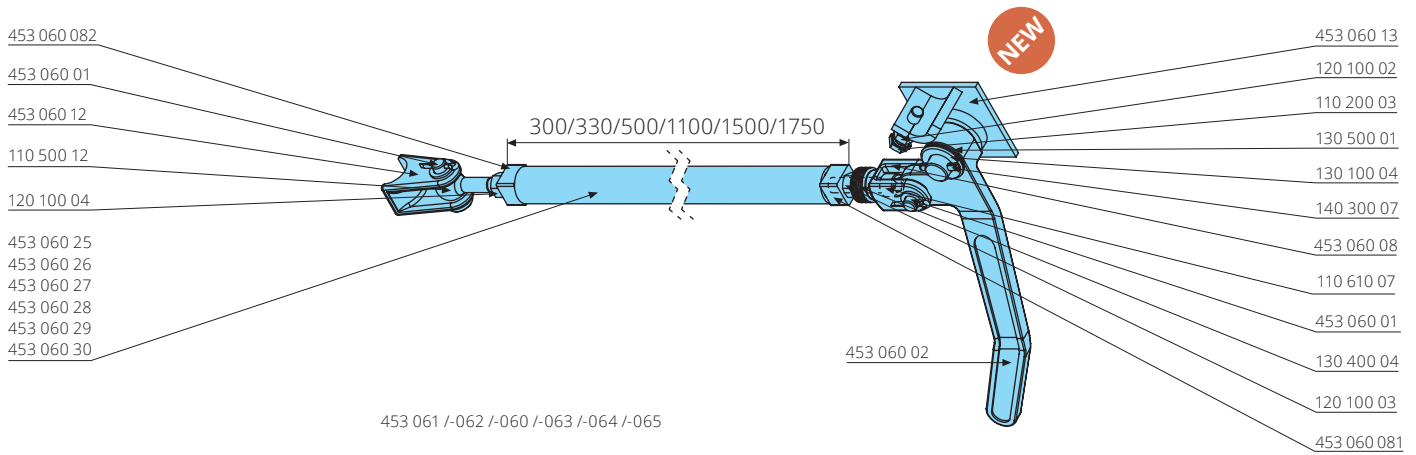


Article no.	Product	Description
453 070 10	Locking shaft complete	30x500mm, with hook L=96mm
453 070 11	Locking shaft complete	30x1050mm, with hook L=172,5mm



Article no.	Product	Description
453 131 1	Hook	d=26mm, flame cut
453 132	Hook	d=31mm
453 079	Bearing plate	d=31mm, cast steel
453 084	Rest for hook	D=20mm, cast steel

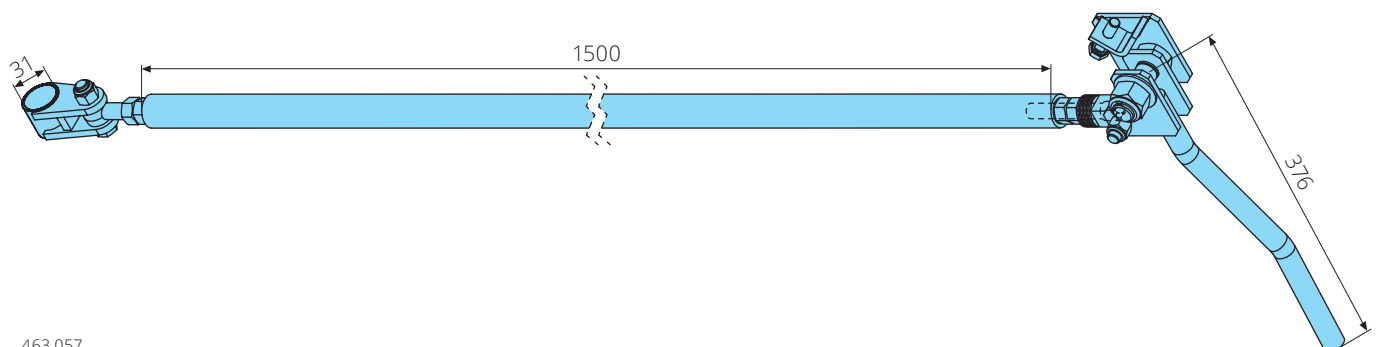
Locking levers M12 / M14



453 061 /-062 /-060 /-063 /-064 /-065

Article no.	Product	Description
453 061	Locking lever M12 complete	strut L=300mm
453 062	Locking lever M12 complete	strut L=330mm
453 060	Locking lever M12 complete	strut L=500mm
453 063	Locking lever M12 complete	strut L=1 100mm
453 064	Locking lever M12 complete	strut L=1500mm
453 065	Locking lever M12 complete	strut L=1750mm, according to BG

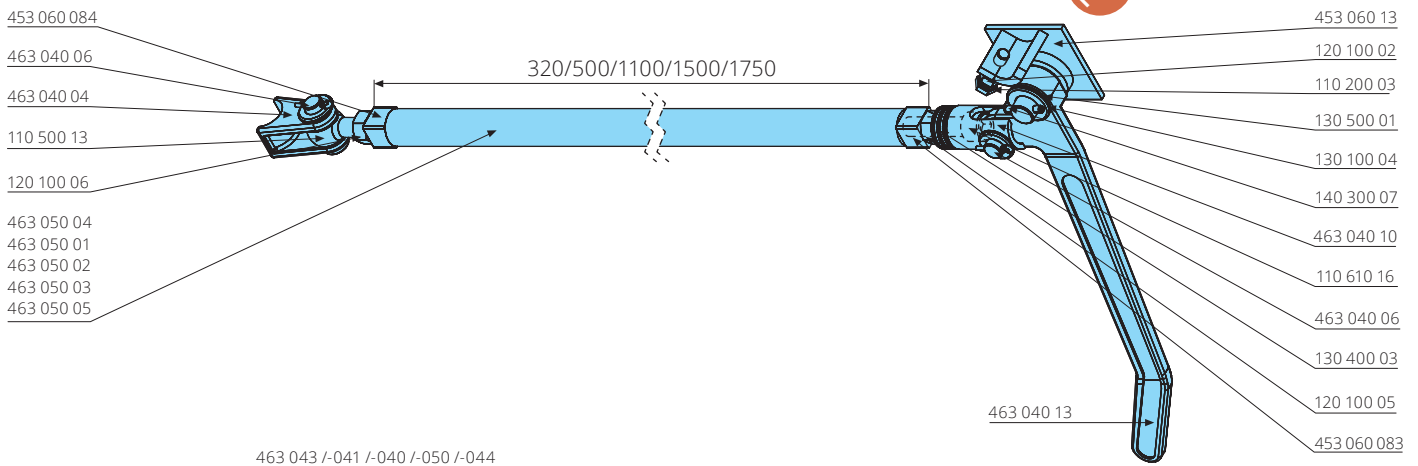
Article no.	Product	Description
453 060 01	Pin	12x46mm, for M12, with washer & split pin
453 060 02	Hand lever	L=249mm, forged
130 500 01	Spring washer	21-36-1,6mm, DIN 137 B
140 300 07	Spring pin	6x35mm, ISO 8752
110 200 03	Hex head bolt	M10x45mm, galvanized, ISO 4017
120 100 04	Hex head nut	M12, galvanized, left-hand thread, ISO 4032
120 100 03	Hex head nut	M12, galvanized, ISO 4032
453 060 08	Clevis	d=12,5mm, cast steel
110 610 07	Cylinder head bolt	M12x60mm, galvanized, ISO 4762, 8.8
110 500 12	Eyebolt	M12x70mm, left-hand thread, DIN 444
130 400 04	Cup washer	12,3x34x1,5mm, DIN 2093 A
453 060 12	Clevis mount	d=12mm, for locking shaft D=31mm, cast steel
453 060 13	Base plate	D=20mm
130 100 04	Washer	21-33-4mm, galvanized, ISO 7090, 200 HV
120 100 02	Hex head nut	M10, galvanized, ISO 4032
453 060 25	Strut	L=300mm, with threaded nuts M12 left & right-hand thread
453 060 26	Strut	L=330mm, with threaded nuts M12 left & right-hand thread
453 060 27	Strut	L=500mm, with threaded nuts M12 left & right-hand thread
453 060 28	Strut	L=1100mm, with threaded nuts M12 left & right-hand thread
453 060 29	Strut	L=1500mm, with threaded nuts M12 left & right-hand thread
453 060 30	Strut	L=1500mm, with threaded nuts M12 left & right-hand thread
453 060 081	Threaded nut	M12
453 060 082	Threaded nut	M12, left-hand thread



463 057

Article no.	Product	Description
463 057	Locking lever M14 complete	strut L=1500mm, with bushing for locking shaft, galvanized

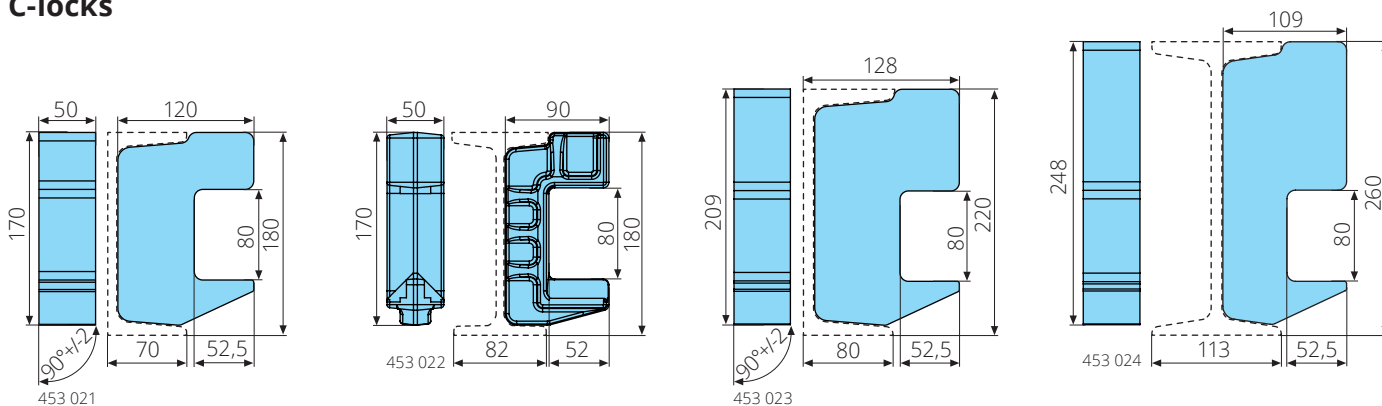
## Locking levers M16



Article no.	Product	Description
463 043	Locking lever M16 complete	strut L=320mm, heavy duty version
463 041	Locking lever M16 complete	strut L=500mm, heavy duty version
463 040	Locking lever M16 complete	strut L=1100mm, heavy duty version
463 050	Locking lever M16 complete	strut L=1500mm, heavy duty version
463 044	Locking lever M16 complete	strut L=1500mm, heavy duty version, according to BG

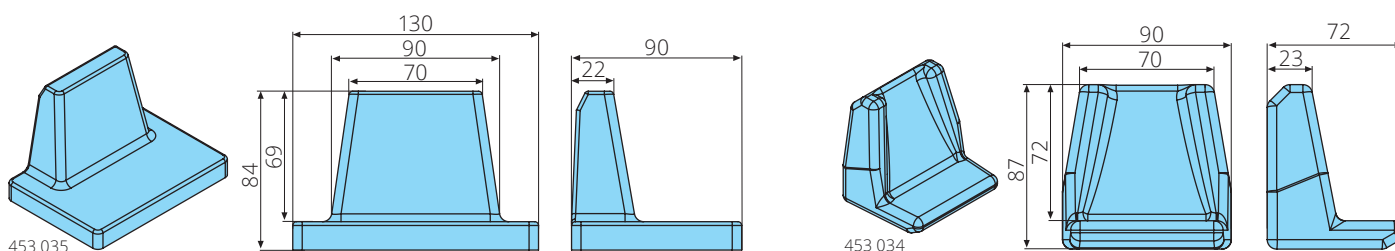
Article no.	Product	Description
463 040 06	Pin	16x50mm, with washer & split pin, 2 needed for one locking lever
463 040 13	Hand lever	L=354mm, cast steel, left
130 500 01	Spring washer	21-36-1,6mm, DIN 137 B
140 300 07	Spring pin	6x35mm, ISO 8752
110 200 03	Hex head bolt	M10x45mm, galvanized, ISO 4017
120 100 06	Hex head nut	M16, galvanized, left-hand thread, ISO 4032
120 100 05	Hex head nut	M16, galvanized, ISO 4032
463 040 10	Clevis	d=18mm, cast steel
110 610 16	Cylinder head bolt	M16x60mm, galvanized, ISO 4762, 8.8
110 500 13	Eyebolt	M16x70mm, left-hand thread, DIN 444
130 400 03	Cup washer	16,3x34x1,5mm, DIN 2093 A
463 040 04	Clevis mount	d=16mm, for locking shafts D=31mm, cast steel
453 060 13	Base plate	D=20mm
130 100 04	Washer	21-33-4mm, galvanized, ISO 7090, 200 HV
120 100 02	Hex head nut	M10, galvanized, ISO 4032
463 050 04	Strut	L=320mm, with threaded nuts M16 left & right-hand thread
463 050 01	Strut	L=500mm, with threaded nuts M16 left & right-hand thread
463 050 02	Strut	L=1100mm, with threaded nuts M16 left & right-hand thread
463 050 03	Strut	L=1500mm, with threaded nuts M16 left & right-hand thread
463 050 05	Strut	L=500mm, with threaded nuts M16 left & right-hand thread
453 060 083	Threaded nut	M16
453 060 084	Threaded nut	M16, left-hand thread

C-locks



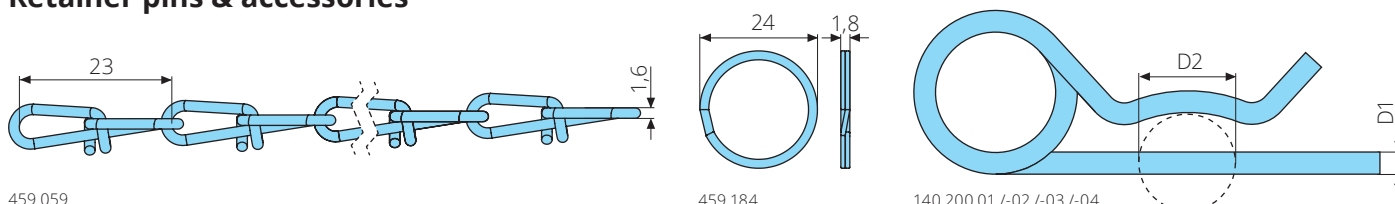
Article no.	Product	Description
453 021	C-lock	for UNP 180, S355J2
453 022	C-lock	for INP 180, forged, S355J2, DIN 30722-1
453 023	C-lock	for UNP 220, S355J2, DIN 30722-1/30722-2
453 024	C-lock	for INP 260, S355J2

Latches Type MARREL



Article no.	Product	Description
453 035	MARREL latch	84x130x90mm, cast steel, S355J2G3
453 034	MARREL latch	87x90x72mm, forged, S355J2G3

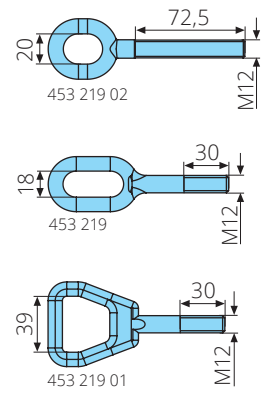
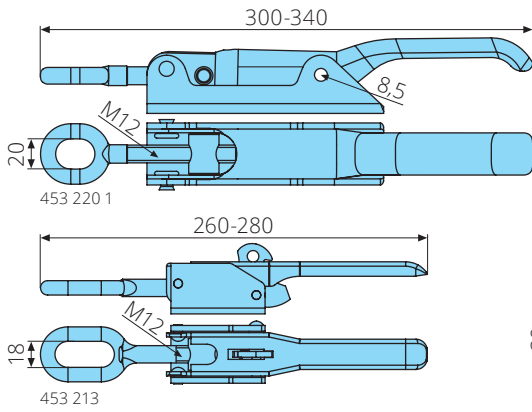
Retainer pins & accessories



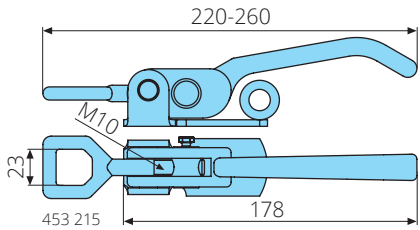
Article no.	Product	Description
459 059	Knotted chain	D=1,6mm, galvanized, DIN 5686, length according to specification

Article no.	Product	Description
459 184	Key ring	24x1,8mm, rust free
140 200 01	Retainer pin	for shaft D=11-14mm, wire D=2,8mm, DIN 11024, form D galvanized
140 200 02	Retainer pin	for shaft D=14-20mm, wire D=3,6mm, DIN 11024, form D, galvanized
140 200 03	Retainer pin	for shaft D=20-26mm, wire D=4,5mm, DIN 11024, form D, galvanized
140 200 04	Retainer pin	for shaft D=26-34mm, wire D=5,6mm, DIN 11024, form D, galvanized

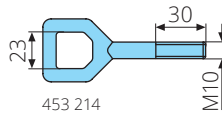
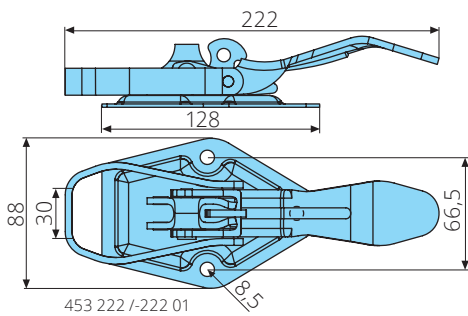
### Over centre locks



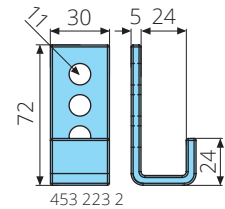
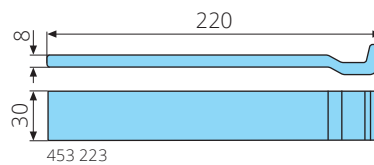
Article no.	Product	Description
453 220 1	Over centre lock	M12, stroke 35mm, with eye 453 219 02
453 213	Over centre lock	M12, stroke 20mm, with automatic safety latch, with padlock fitting, with eye 453 219
453 213 01	Over centre lock	M12, stroke 20mm, with automatic safety latch, with padlock fitting, with eye 453 219 01
453 219 02	Eye	M12, galvanized
453 219	Eye	M12
453 219 01	Eye	M12, galvanized, triangle



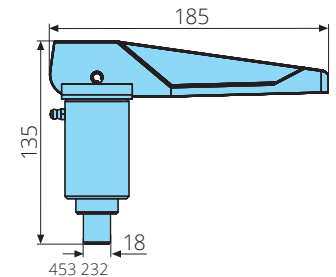
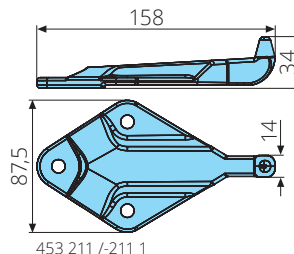
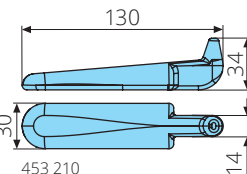
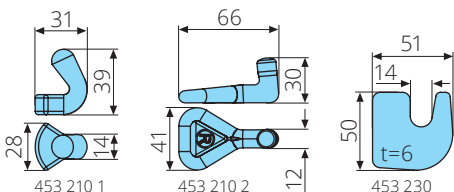
Article no.	Product	Description
453 215	Over centre lock	M10, stroke 35mm, galvanized, with padlock fitting, with eye 453 214
453 214	Eye	M10, forged, galvanized



Article no.	Product	Description
453 222	Over centre lock	stroke 50mm, with automatic safety latch, Danish model
453 222 01	Over centre lock	stroke 50mm, with automatic safety latch, Danish model, galvanized
453 223	Counterhold for over centre locks	30x220mm, for over centre locks 453 222 /-222 01
453 223 2	Counterhold for over centre locks	30x72mm, for over centre locks 453 222 /-222 01, galvanized, for bolted mounting

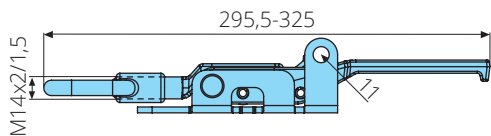


Article no.	Product	Description
453 210 1	Counterhold for over centre locks	D=14mm
453 210 2	Counterhold for over centre locks	D=12mm
453 230	Counterhold for over centre locks	t=6mm
453 210	Counterhold for over centre locks	D=14mm, forged
453 211	Counterhold for over centre locks	D=14mm, for bolted mounting, galvanized
453 211 1	Counterhold for over centre locks	D=14mm, for bolted mounting, cast steel
453 232	Spring bolt	D=18mm

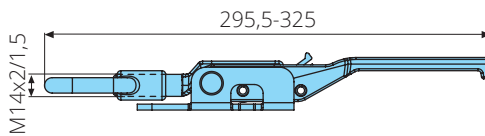


Article no.	Product	Description
453 210 1	Counterhold for over centre locks	D=14mm
453 210 2	Counterhold for over centre locks	D=12mm
453 230	Counterhold for over centre locks	t=6mm
453 210	Counterhold for over centre locks	D=14mm, forged
453 211	Counterhold for over centre locks	D=14mm, for bolted mounting, galvanized
453 211 1	Counterhold for over centre locks	D=14mm, for bolted mounting, cast steel
453 232	Spring bolt	D=18mm

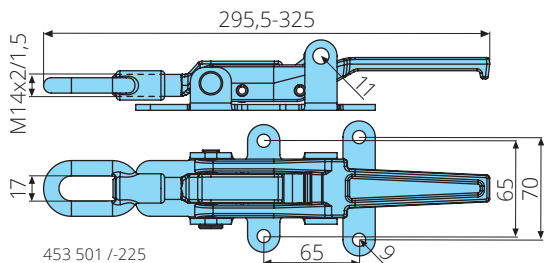
Over centre locks



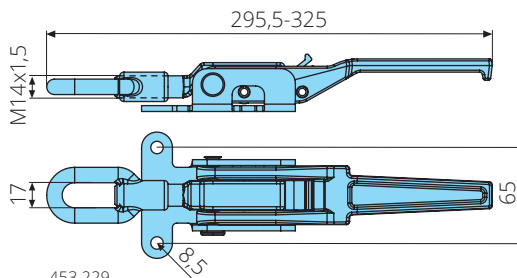
453 500 /-224



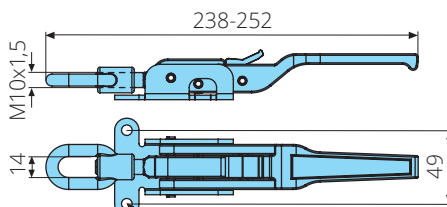
453 510 /-226



453 501 /-225



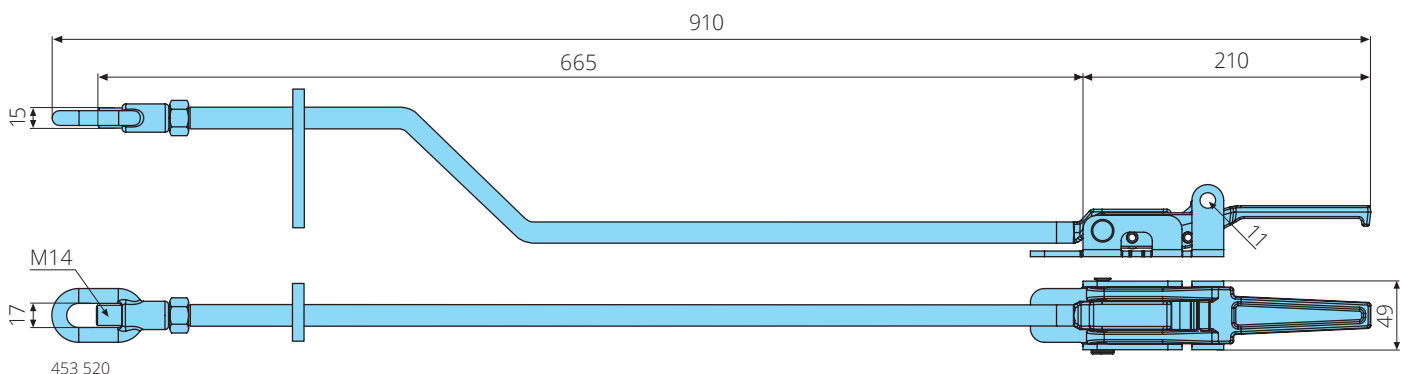
453 229



453 229 1

Article no.	Product	Description
453 500	Over centre lock	M14x2mm, stroke 25mm, with automatic safety latch, with padlock fitting
453 510	Over centre lock	M14x2mm, stroke 25mm, with automatic safety latch
453 501	Over centre lock	M14x2mm, stroke 25mm, with automatic safety latch, with padlock fitting, for bolted mounting
453 224	Over centre lock	M14x1,5mm, stroke 25mm, with automatic safety latch, with padlock fitting
453 226	Over centre lock	M14x1,5mm, stroke 25mm, with automatic safety latch
453 225	Over centre lock	M14x1,5mm, stroke 25mm, with automatic safety latch, with padlock fitting, for bolted mounting
453 229	Over centre lock	M14x1,5mm, stroke 25mm, with automatic safety latch, for bolted mounting, galvanized
453 229 1	Over centre lock	M14x1,5mm, stroke 15mm, with automatic safety latch, for bolted mounting, galvanized

Over centre lid lock

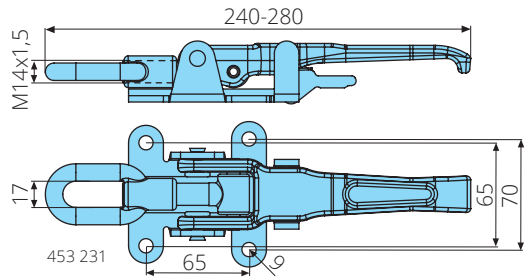
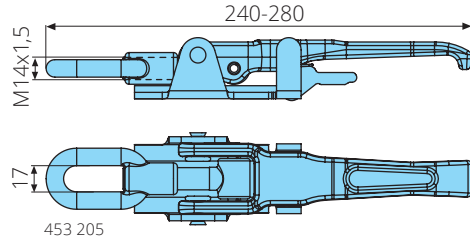
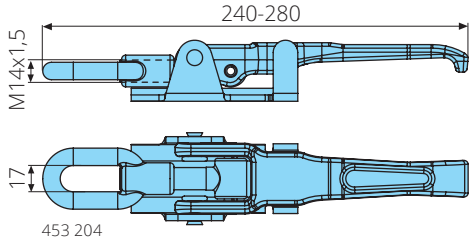
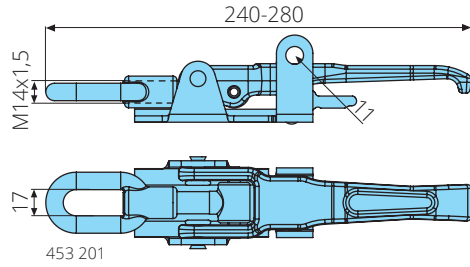
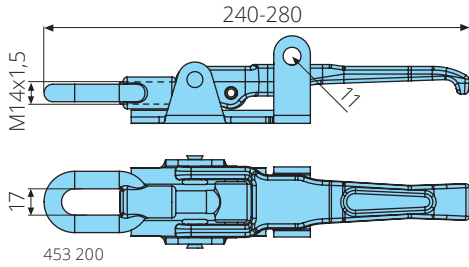


453 520

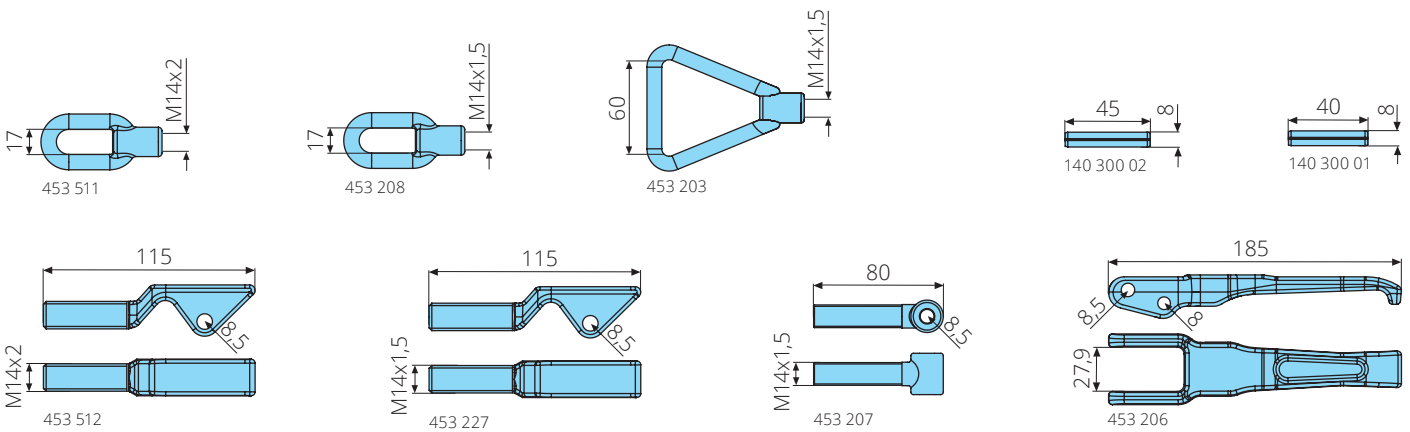
Article no.	Product	Description
453 520	Over center lid lock	M14x2mm, stroke 25mm, with automatic safety latch, with padlock fitting



**Over centre locks**

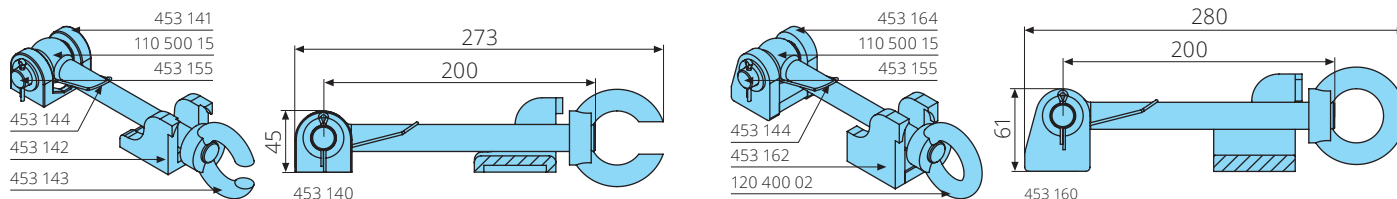


Article no.	Product	Description
453 200	Over centre lock	M14x1,5mm, stroke 25mm, with padlock fitting
453 201	Over centre lock	M14x1,5mm, stroke 25mm, with automatic safety latch, with padlock fitting
453 204	Over centre lock	M14x1,5mm, stroke 30mm
453 205	Over centre lock	M14x1,5mm, stroke 30mm, with automatic safety latch
453 231	Over centre lock	M14x1,5mm, stroke 30mm, with automatic safety latch, for bolted mounting, galvanized



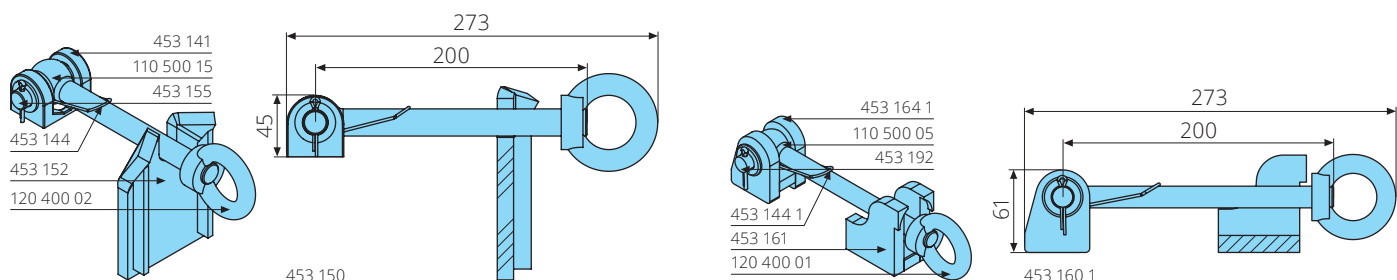
Article no.	Product	Description
453 511	Threaded eye	M14x2mm, spare part for 453 500 /-501 /-510 /-520, galvanized
453 208	Threaded eye	M14x1,5mm, spare part for 453 200 /-201 /-204 /-205 /-224 /-225 /-226 /-229 /-231, galvanized
453 203	Triangular eye	M14x1,5mm, spare part for 453 200 /-201 /-204 /-205 /-224 /-225 /-226 /-229 /-231, galvanized
453 512	Threaded arm	M14x2mm, spare part for 453 500 /-501 /-510, galvanized
453 227	Threaded arm	M14x1,5mm, spare part for 453 224 /-225 /-226 /-229, galvanized
453 207	Eyebolt	M14x1,5mm, spare part for 453 200 /-201 /-204 /-205 /-231
453 206	Handle	L=185mm, spare part for 453 200 /-204, forged
140 300 01	Spring pin	8x40mm, ISO 8752
140 300 02	Spring pin	8x45mm, ISO 8752

## Tailgate locks



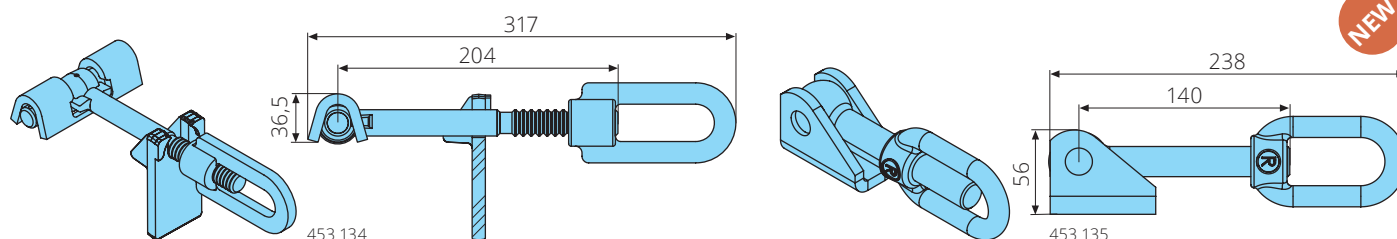
Article no.	Product	Description
453 140	Tailgate lock complete	M20, flat version, retaining spring
453 160	Tailgate lock complete	M20, with retaining spring

Article no.	Product	Description
453 141	Container bracket	for M20, flat version, cast steel
453 164	Container bracket	for M20
453 155	Pin	18x75mm, for eye bolt M20, galvanized, with cotter pin & washer
453 144	Retaining spring	d=21mm, wire D=2mm, galvanized
110 500 15	Eyebolt	M20x200mm, galvanized, continuous thread, DIN 444
453 143	Ring nut with slit	M20, galvanized, slit 24mm
120 400 02	Ring nut	M20, galvanized, DIN 582
453 142	Door bracket	for M20, flat Version, cast steel
453 162	Door bracket	for M20



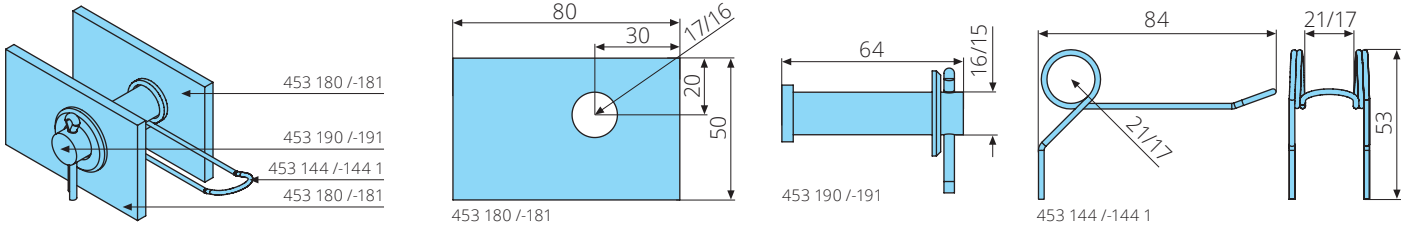
Article no.	Product	Description
453 150	Tailgate lock complete	M20, with retaining spring
453 160 1	Tailgate lock complete	M16, with retaining spring

Article no.	Product	Description
453 141	Container bracket	for M20, flat version, cast steel
453 164 1	Container bracket	for M16
453 155	Pin	18x75mm, for eye bolt M20, galvanized, with cotter pin & washer
453 192	Pin	15x70mm, for eye bolt M16, with cotter pin & washer
453 144	Retaining spring	d=21mm, wire D=2mm, galvanized
453 144 1	Retaining spring	d=17mm, for M16, wire D=2mm, galvanized
110 500 15	Eyebolt	M20x200mm, galvanized, continuous thread, DIN 444
110 500 05	Eyebolt	M16x200mm, galvanized, DIN 444
120 400 02	Ring nut	M20, galvanized, DIN 582
120 400 01	Ring nut	M16, galvanized, DIN 582
453 152	Door bracket	for M20
453 161	Door bracket	for M16, cast steel

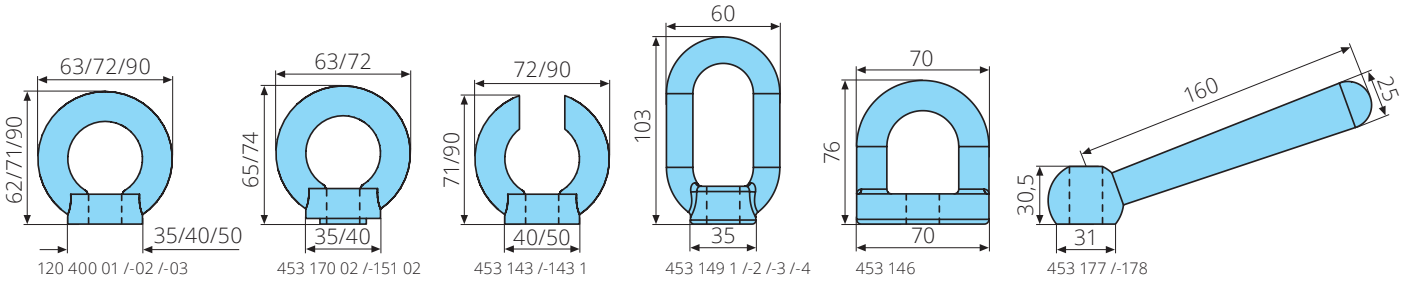
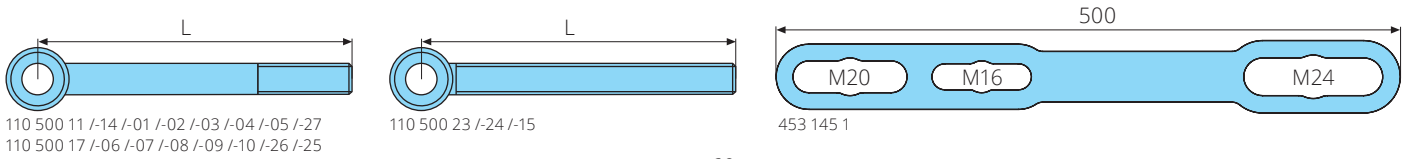


Article no.	Product	Description
453 134	Tailgate lock complete	TR20x4mm, trapezoidal thread
453 135	Tailgate lock complete	M20, with retaining spring

### Tailgate locks in parts / Accessories

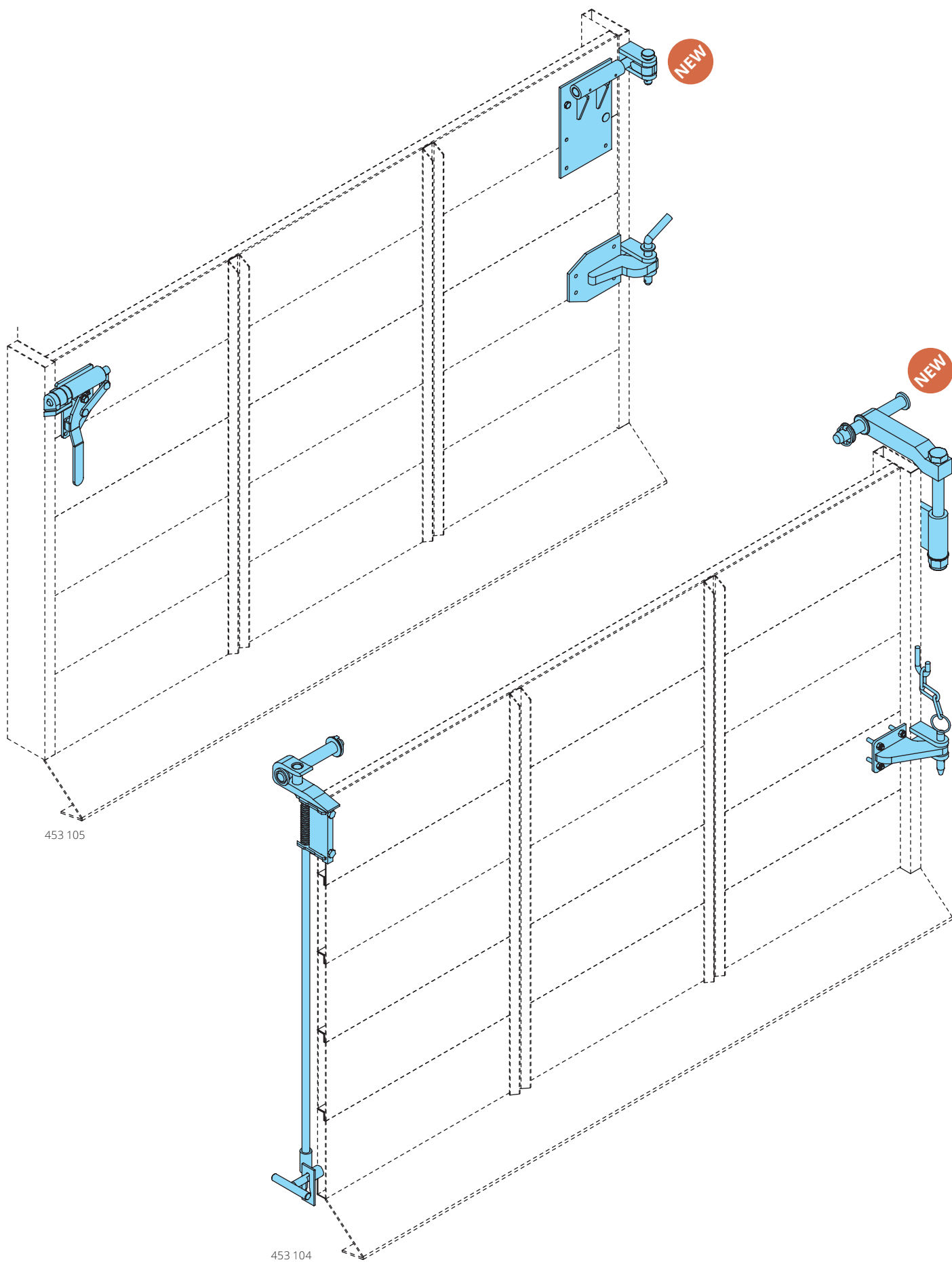


Article no.	Product	Description
453 180	Mounting plate	d=17mm, for M20
453 181	Mounting plate	d=16mm, for M16
453 190	Pin	16x64mm, for M20, with cotter pin & washer
453 191	Pin	15x64mm, for M16, with cotter pin & washer
453 144	Retaining spring	d=21mm, wire D=2mm, galvanized
453 144 1	Retaining spring	d=17mm, for M16, wire D=2mm, galvanized



Article no.	Product	Description
110 500 11	Eyebolt	M12x70mm, DIN 444
110 500 14	Eyebolt	M16x70mm, DIN 444
110 500 01	Eyebolt	M16x120mm, galvanized, DIN 444
110 500 02	Eyebolt	M16x140mm, galvanized, DIN 444
110 500 03	Eyebolt	M16x160mm, galvanized, DIN 444
110 500 04	Eyebolt	M16x180mm, galvanized, DIN 444
110 500 05	Eyebolt	M16x200mm, galvanized, DIN 444
110 500 24	Eyebolt	M16x200mm, galvanized, continuous thread, DIN 444
110 500 27	Eyebolt	M18x200mm, galvanized, DIN 444
110 500 17	Eyebolt	M20x100mm, galvanized, DIN 444
110 500 06	Eyebolt	M20x120mm, galvanized, DIN 444
110 500 07	Eyebolt	M20x140mm, galvanized, DIN 444
110 500 08	Eyebolt	M20x160mm, galvanized, DIN 444
110 500 09	Eyebolt	M20x180mm, galvanized, DIN 444
110 500 15	Eyebolt	M20x200mm, galvanized, continuous thread, DIN 444
110 500 10	Eyebolt	M20x220mm, galvanized, DIN 444
110 500 23	Eyebolt	M24x180mm, galvanized, continuous thread, DIN 444
110 500 26	Eyebolt	M24x250mm, galvanized, eye d=25mm
110 500 25	Eyebolt	M24x270mm, galvanized, DIN 444
120 400 01	Ring nut	M16, galvanized, DIN 582
453 170 02	Ring nut with collar	M16, galvanized, collar 3x18mm
453 149 1	Ring nut	M16
453 149 2	Ring nut	M18
120 400 02	Ring nut	M20, galvanized, DIN 582
453 151 02	Ring nut with collar	M20, galvanized, collar 3x22mm
453 143	Ring nut with slit	M20, galvanized, slit 24mm
453 149 3	Ring nut	M20
453 146	Ring nut	M20, galvanized
120 400 03	Ring nut	M24, galvanized, DIN 582
453 143 1	Ring nut with slit	M24, galvanized, slit 28mm
453 149 4	Ring nut	M24
453 145 1	Key for ring nuts	500x50x12mm, for M16, M20 & M24, galvanized
453 177	Nut with handle	M16, galvanized
453 178	Nut with handle	M20, galvanized

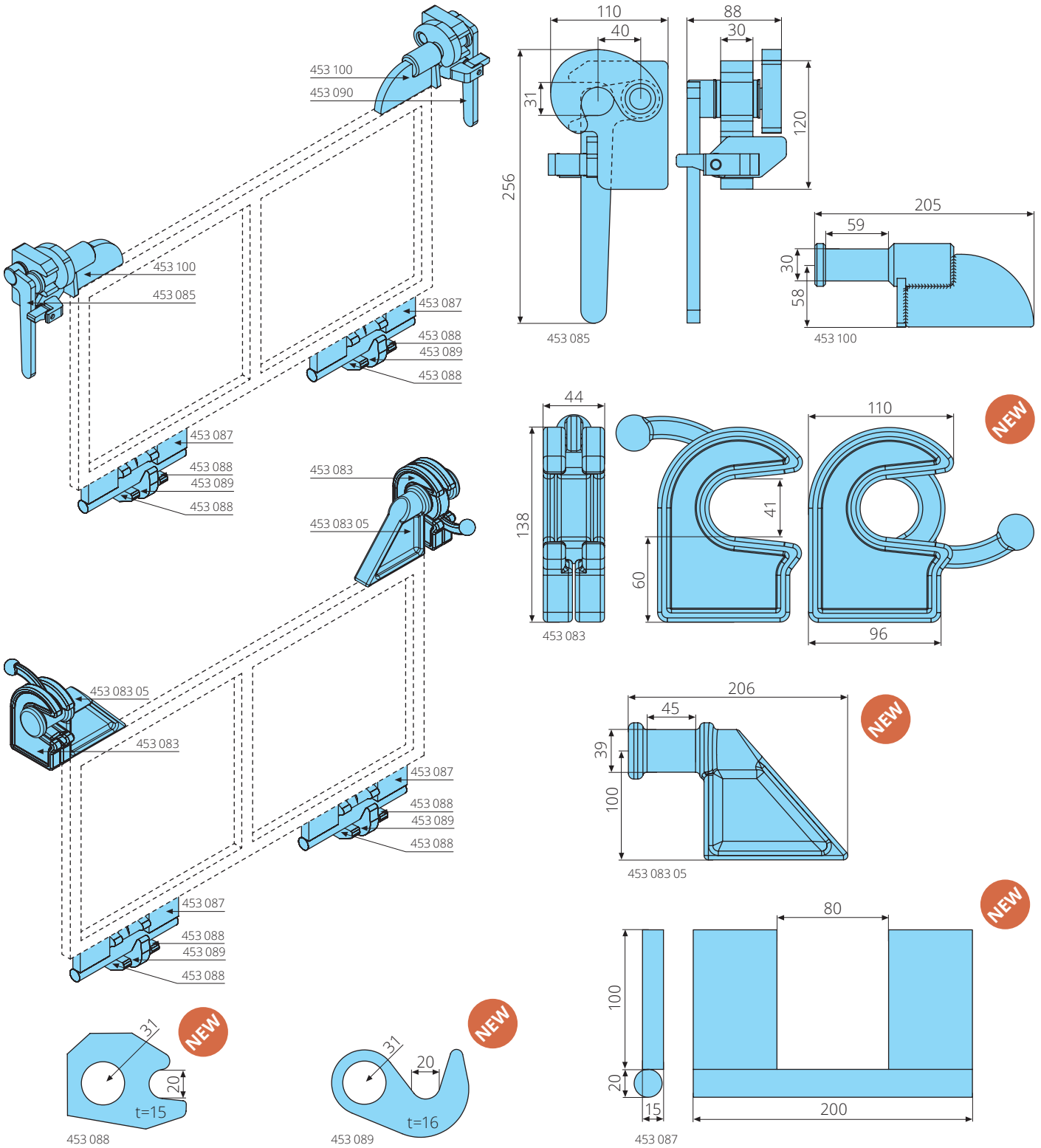
Systems for tailgates Type ZETTERBERGS



Article no.	Product	Description
453 105	System for tailgates	type ZETTERBERGS
453 104	System for tailgates	type ZETTERBERGS

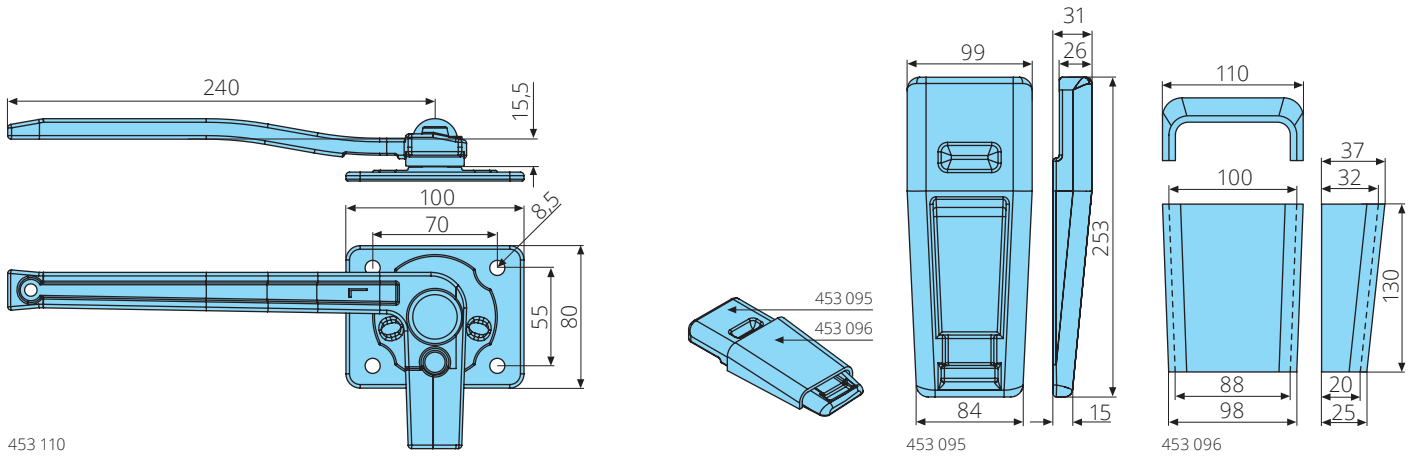
# Systems for tailgates

Systems for tailgates Type ZETTERBERGS / Systems for tailgates



Article no.	Product	Description
453 085	Tailgate lock	d=31mm, left, hinged
453 090	Tailgate lock	d=31mm, right, hinged
453 100	Pin for tailgate lock	30x59mm
Article no.	Product	Description
453 083	Tailgate lock	d=42mm, left/right
453 083 05	Pin for tailgate lock	39x45mm
Article no.	Product	Description
453 088	Tailgate bearing	d=20mm, bore or shaft d=31mm
453 089	Tailgate hook	d=20mm, bore or shaft d=31mm
453 087	Tailgate hinge	D=20mm

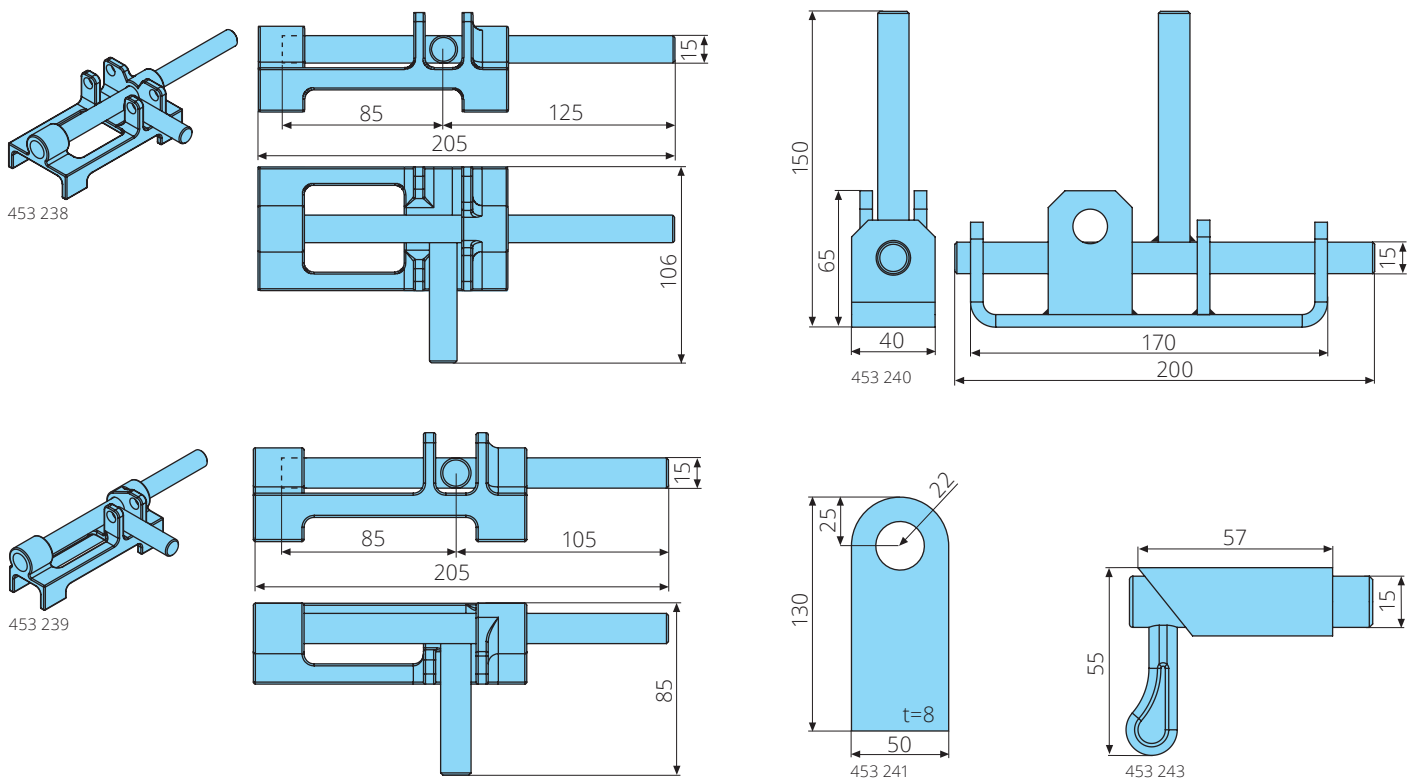
Flap locks for platform containers



453 110

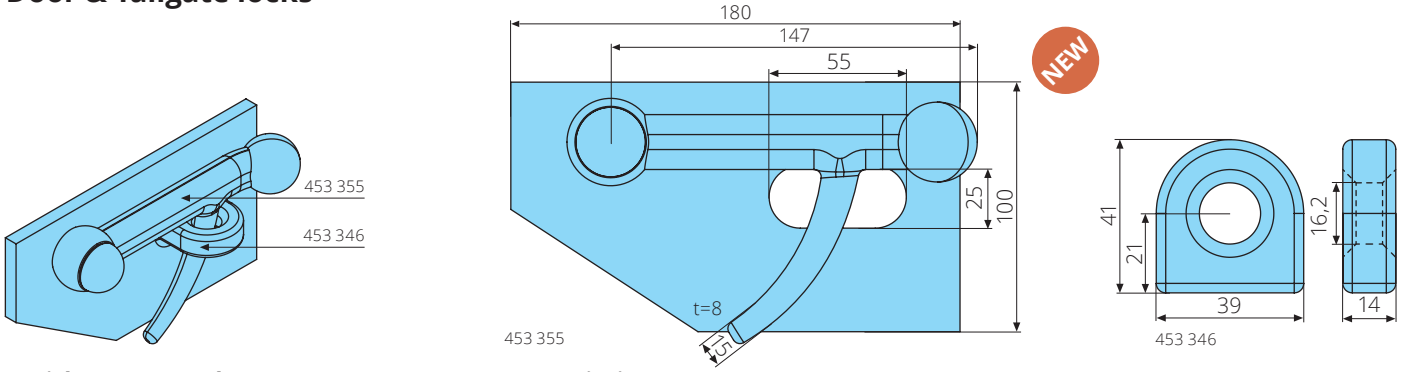
Article no.	Product	Description
453 110	Flap lock	left, forged
453 111	Flap lock	right, forged
453 095	Stanchion key	99x253mm, cast steel
453 096	Stanchion pocket	110x130mm

Bolt locks

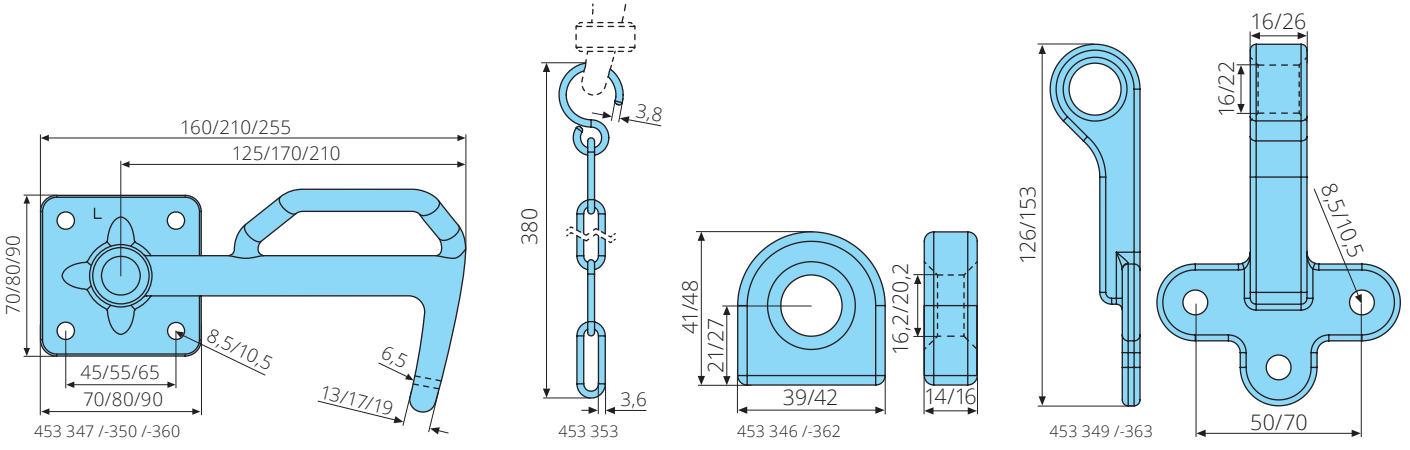


Article no.	Product	Description
453 238	Bolt lock	D=15mm, left/right, with padlock fitting
453 239	Bolt lock	D=15mm, right, with padlock fitting
453 240	Bolt lock	D=15mm, left/right, with padlock fitting
453 241	Locking plate for bolt lock	d=22mm
453 243	Spring bolt	D=15mm, galvanized

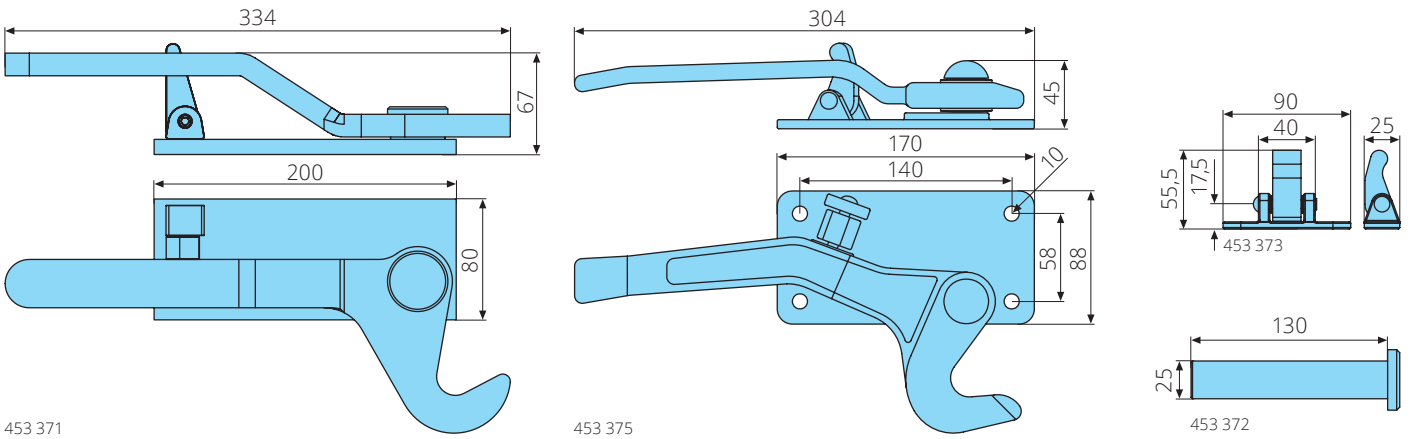
## Door & Tailgate locks



Article no.	Product	Description
453 355	Door lock	D=15mm, left, raw
453 354	Door lock	D=15mm, right, raw
453 346	Eye	d=16,2mm, for tailgate lock size 1, for welding



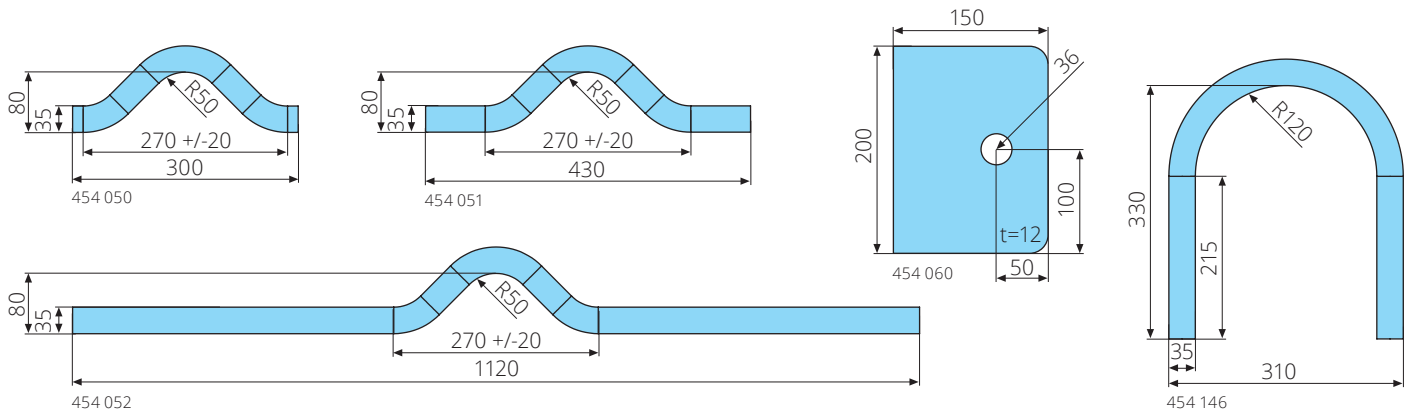
Article no.	Product	Description
453 347	Tailgate lock	D=13mm, left, size 1, hook L=125mm, plate 70x70mm, galvanized
453 348	Tailgate lock	D=13mm, right, size 1, hook L=125mm, plate 70x70mm, galvanized
453 350	Tailgate lock	D=17mm, left, size 2, hook L=170mm, plate 80x80mm, galvanized
453 351	Tailgate lock	D=17mm, right, size 2, hook L=170mm, plate 80x80mm, galvanized
453 360	Tailgate lock	D=19mm, left, size 3, hook L=210mm, plate 90x90mm, galvanized
453 361	Tailgate lock	D=19mm, right, size 3, hook L=210mm, plate 90x90mm, galvanized
453 353	Safety hook with chain	D=3,8mm, L=380mm, galvanized, packaging unit of 10
453 346	Eye	d=16,2mm, for tailgate lock size 1, for welding
453 349	Eye	d=16mm, for tailgate lock size 1, for welding, galvanized
453 362	Eye	d=20,2mm, for lock latches Size 2+3, for welding
453 363	Eye	d=22mm, for tailgate lock size 2/3, for bolted mounting, galvanized



Article no.	Product	Description
453 371	Tailgate lock	left, plate 10mm
453 370	Tailgate lock	right, plate 10mm
453 375	Tailgate lock	left, forged
453 376	Tailgate lock	right, forged
453 372	Locking pin	25x130mm, for tailgate locks
453 373	Safety latch	cast steel

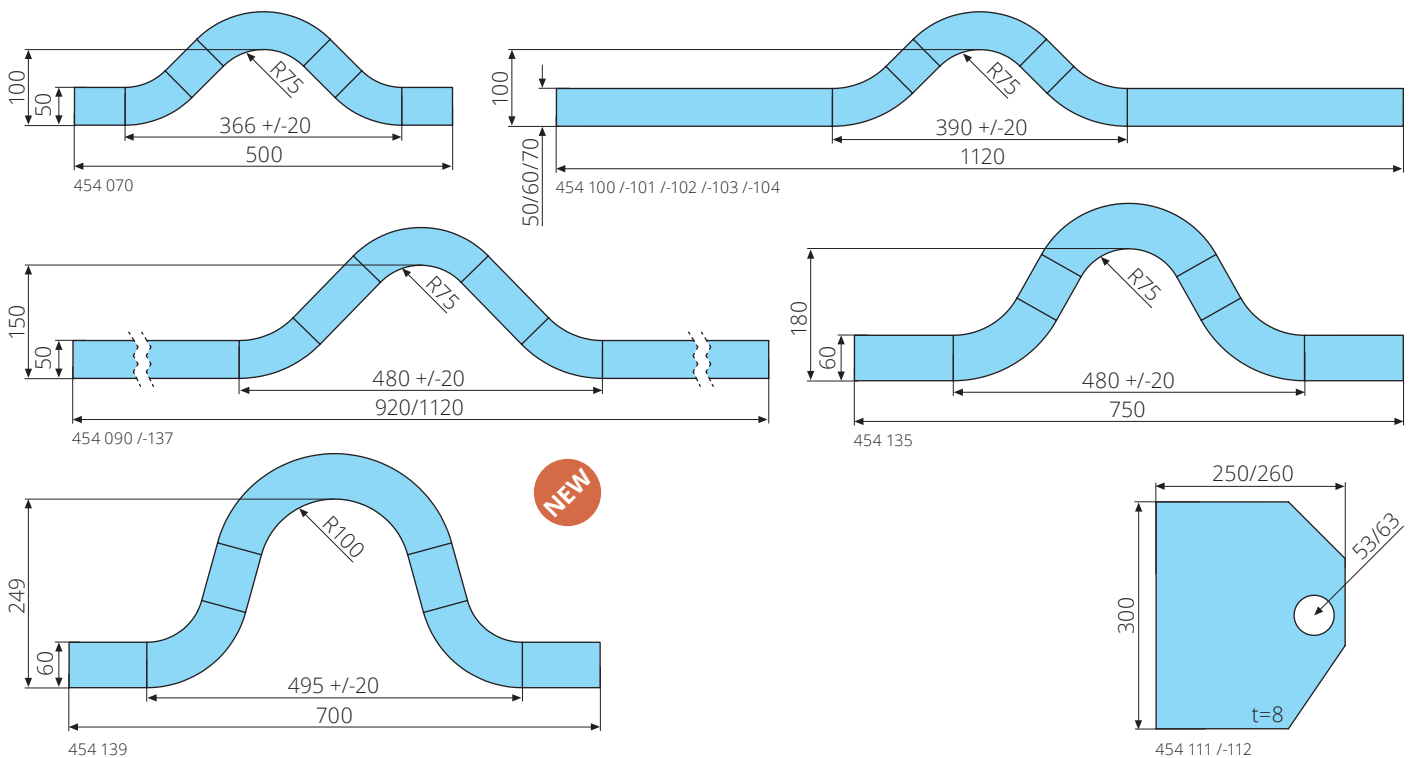
Flap locks for platform containers / Bolt locks / Door & Tailgate locks

City lifting bars



Article no.	Product	Description
454 050	City lifting bar	35x80x300mm, R50, cold-worked, S355J2+N
454 051	City lifting bar	35x80x430mm, R50, cold-worked, S355J2+N, DIN30722
454 052	City lifting bar	35x80x1120mm, R50, cold-worked, S355J2+N, DIN30722
454 060	Welding plate	12x150x200mm, d=36mm, for city lifting bar D=35mm, S355J2
454 146	City lifting bar	35x330x310mm, R120, cold-worked, S355J2+N

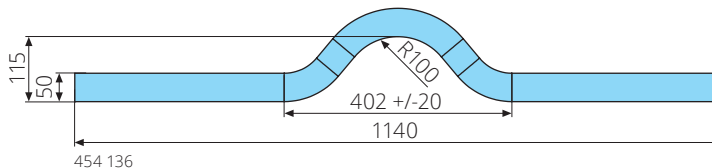
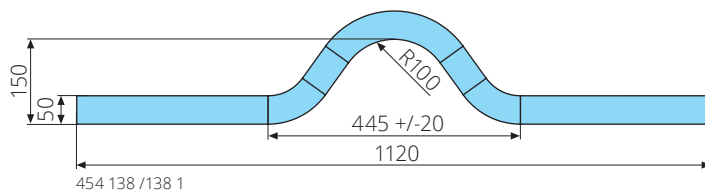
Lifting bars



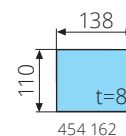
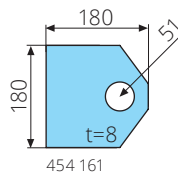
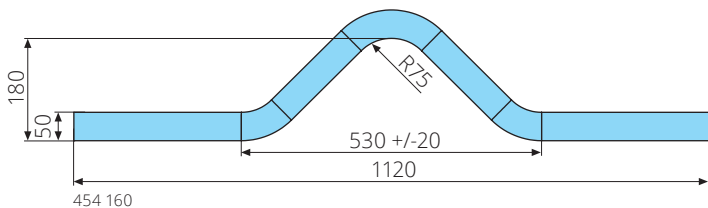
Article no.	Product	Description
454 070	Lifting bar	50x100x500mm, R75, cold-worked, S355J2+N
454 090	Lifting bar	50x150x920mm, R75, cold-worked, S355J2+N
454 137	Lifting bar	50x150x1120mm, R75, cold-worked, S355J2+N
454 100	Lifting bar	50x100x1120mm, R75, cold-worked, S355J2+N, DIN30722
454 101	Lifting bar	50x100x1120mm, R75, forged, S355J2+N, DIN30722
454 139	Lifting bar	60x249x700mm, R100, cold-worked, S355J2+N
454 135	Lifting bar	60x180x750mm, R75, forged, S355J2+N
454 102	Lifting bar	60x100x1120mm, R75, cold-worked, S355J2+N, DIN30722
454 103	Lifting bar	60x100x1120mm, R75, forged, S355J2+N, DIN30722
454 104	Lifting bar	70x100x1120mm, R75, cold-worked, S355J2+N
454 111	Welding plate	250x300x8mm, d=53mm, for lifting bars D=50mm, S355J2
454 112	Welding plate	260x300x8mm, d=53mm, for lifting bars D=60mm, S355J2



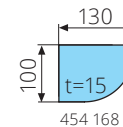
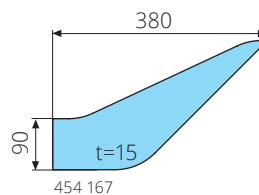
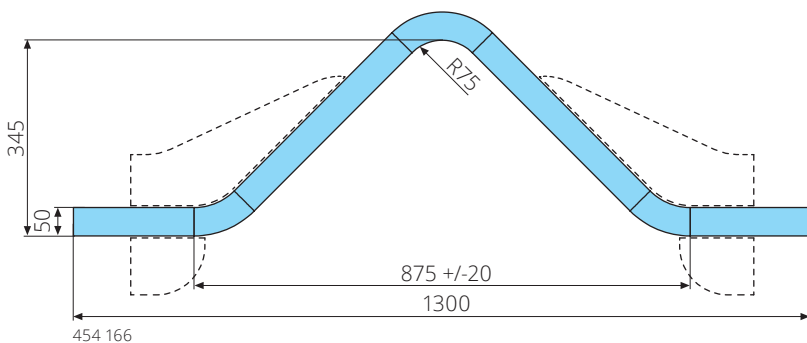
# Lifting bars



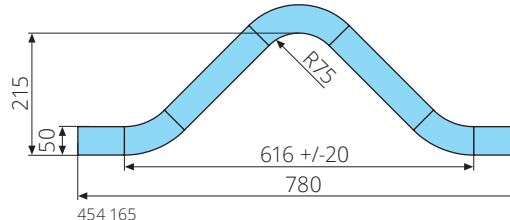
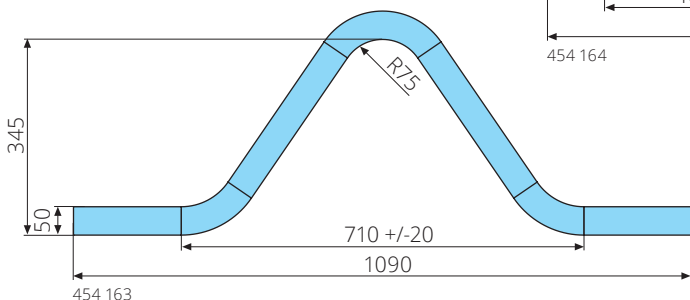
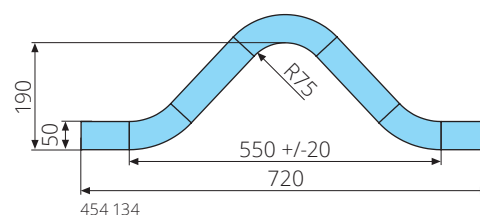
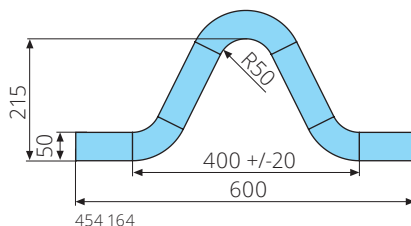
Article no.	Product	Description
454 138	Lifting bar	50x150x1120mm, R100, cold-worked, S355J2+N
454 138 1	Lifting bar	50x150x1120mm, R100, forged, S355J2+N
454 136	Lifting bar	50x115x1140mm, R100, cold-worked, S355J2+N



Article no.	Product	Description
454 160	Lifting bar	50x180x1120mm, R75, cold-worked, S355J2+N
454 161	Side plate	180x180x8mm, d=51mm
454 162	Cover plate	110x138x8mm

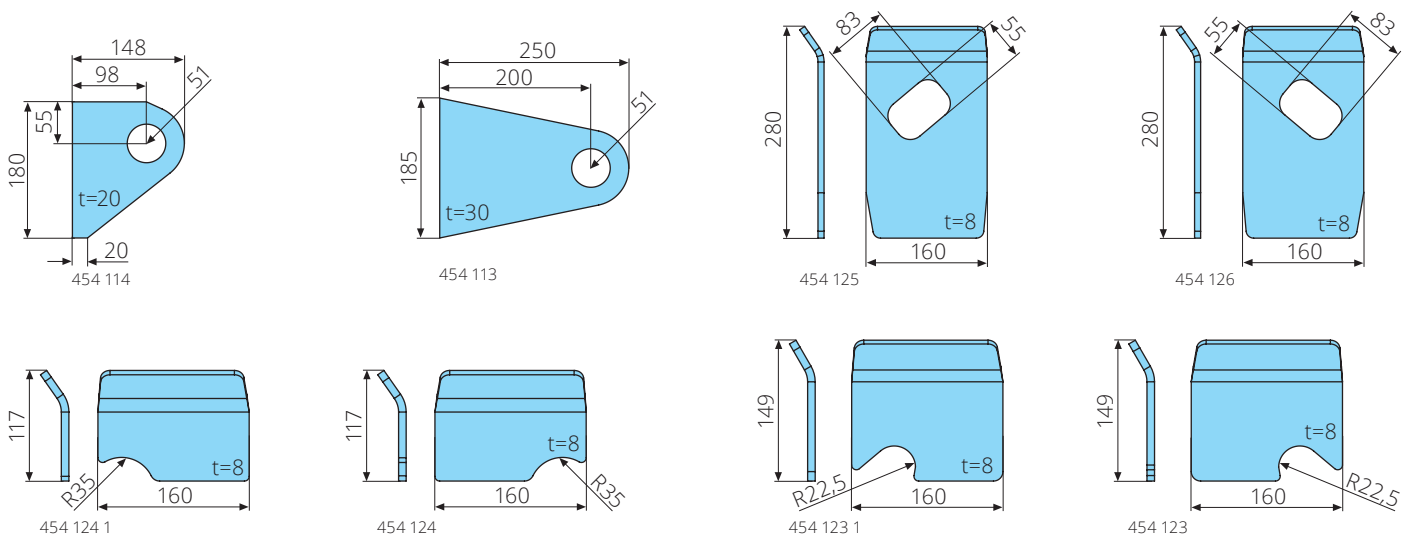


Article no.	Product	Description
454 166	Lifting bar	50x345x1300mm, R75, cold-worked, S355J2+N
454 167	Reinforcing plate	90x380x15mm
454 168	Reinforcing plate	100x130x15mm



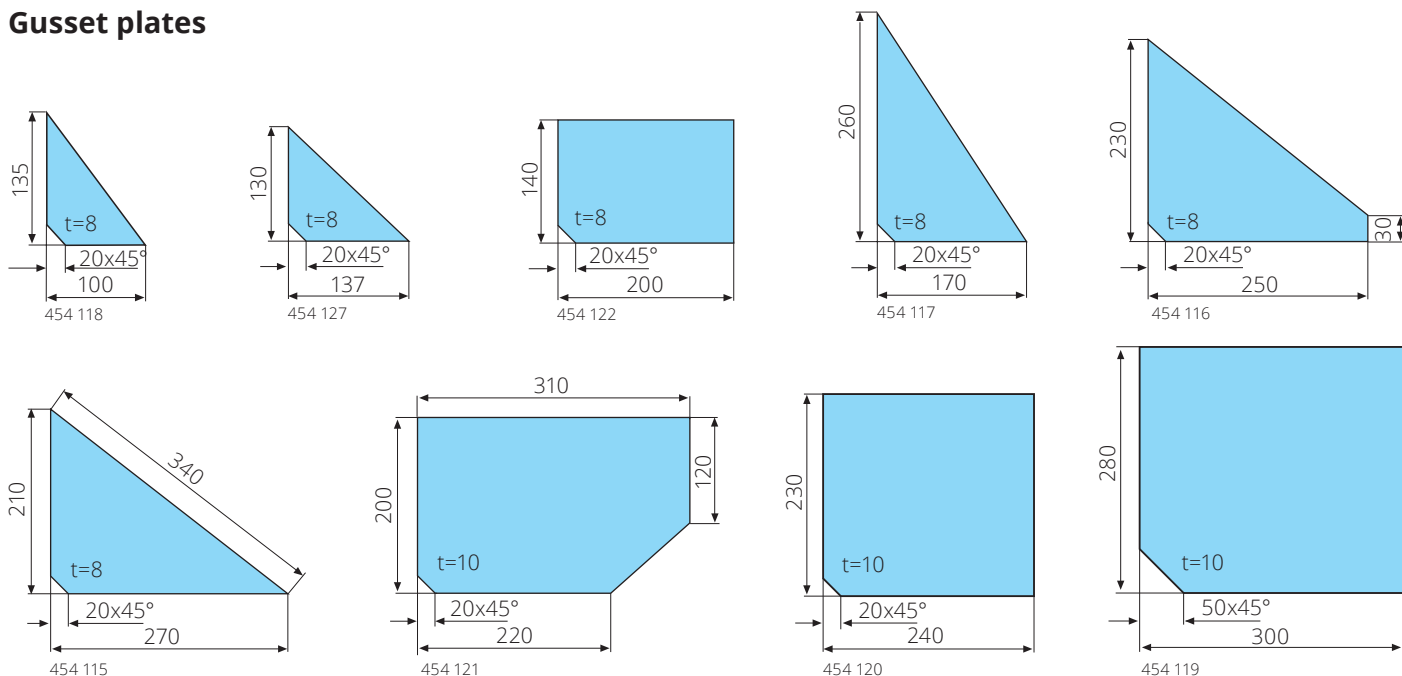
Article no.	Product	Description
454 164	Lifting bar	50x215x600mm, R50, cold-worked, S355J2+N
454 134	Lifting bar	50x190x720mm, R75, cold-worked, S355J2+N
454 165	Lifting bar	50x215x780mm, R75, cold-worked, S355J2+N
454 163	Lifting bar	50x345x1090mm, R75, cold-worked, S355J2+N

Lifting bar plates



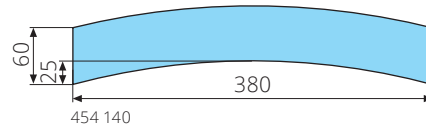
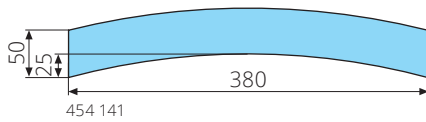
Article no.	Product	Description
454 114	Lifting bar plate	180x148x20mm, d=51mm
454 113	Lifting bar plate	250x185x30mm, d=51mm
454 125	Lifting bar plate	280x160x8mm, left
454 126	Lifting bar plate	280x160x8mm, right
454 124 1	Lifting bar plate	117x160x8mm, left
454 124	Lifting bar plate	117x160x8mm, right
454 123 1	Lifting bar plate	149x160x8mm, left
454 123	Lifting bar plate	149x160x8mm, right

Gusset plates

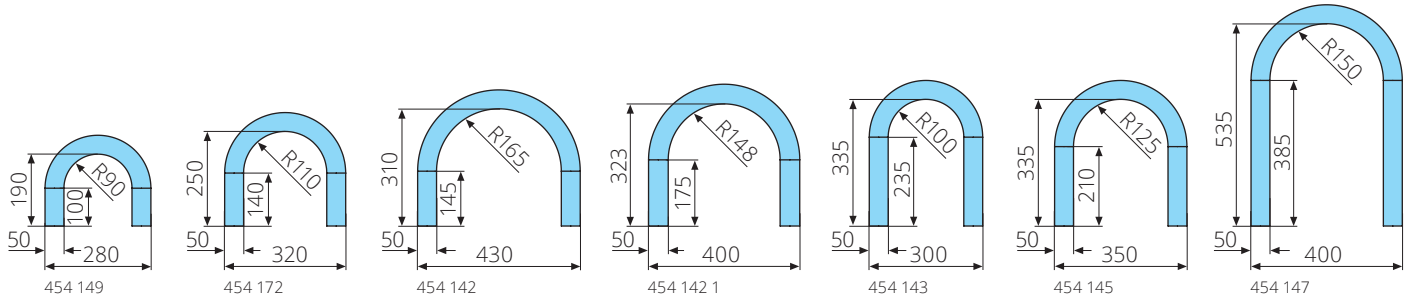


Article no.	Product	Description
454 118	Gusset plate	100x135x8mm
454 127	Gusset plate	137x130x8mm
454 122	Gusset plate	140x200x8mm
454 117	Gusset plate	170x260x8mm
454 116	Gusset plate	250x230x8mm
454 115	Gusset plate	270x210x340x8mm
454 121	Gusset plate	220x200x310x120x10mm
454 120	Gusset plate	230x240x10mm
454 119	Gusset plate	280x300x10mm

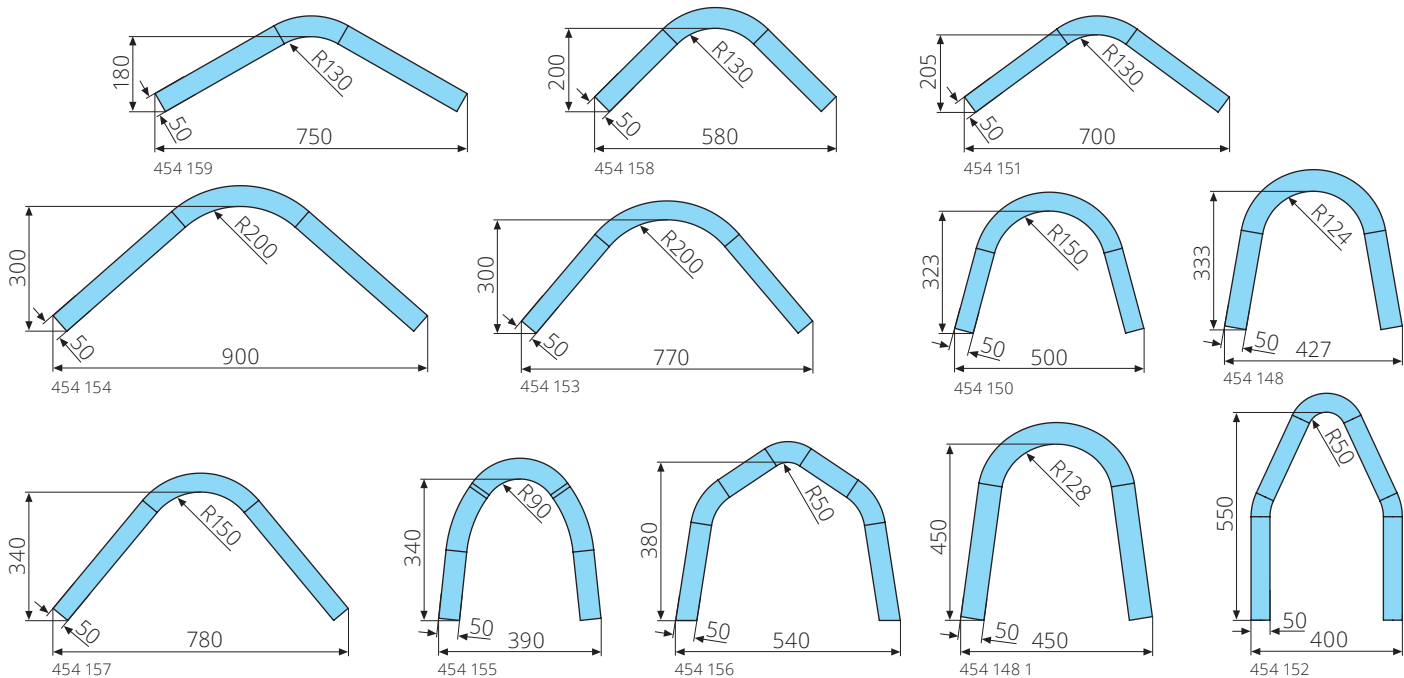
## Lifting bars



Article no.	Product	Description
454 141	Lifting bar	50x25x380mm, R734, cold-worked, S355J2+N
454 140	Lifting bar	60x25x380mm, R734, cold-worked, S355J2+N

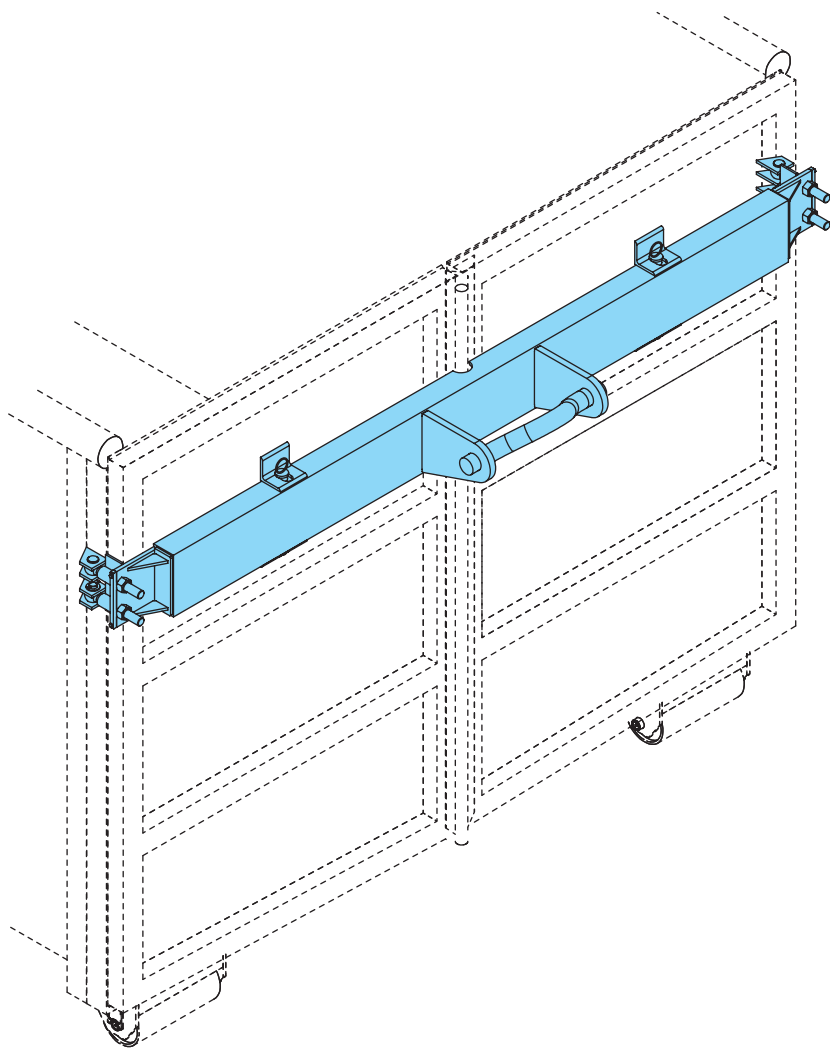


Article no.	Product	Description
454 149	Lifting bar	50x190x280mm, R90, cold-worked, S355J2+N
454 172	Lifting bar	50x250x320mm, R110, cold-worked, S355J2+N
454 142	Lifting bar	50x310x430mm, R165, cold-worked, S355J2+N
454 142 1	Lifting bar	50x323x400mm, R148, forged, S355J2+N
454 143	Lifting bar	50x335x300mm, R100, cold-worked, S355J2+N
454 145	Lifting bar	50x335x350mm, R125, cold-worked, S355J2+N
454 147	Lifting bar	50x535x400mm, R150, cold-worked, S355J2+N

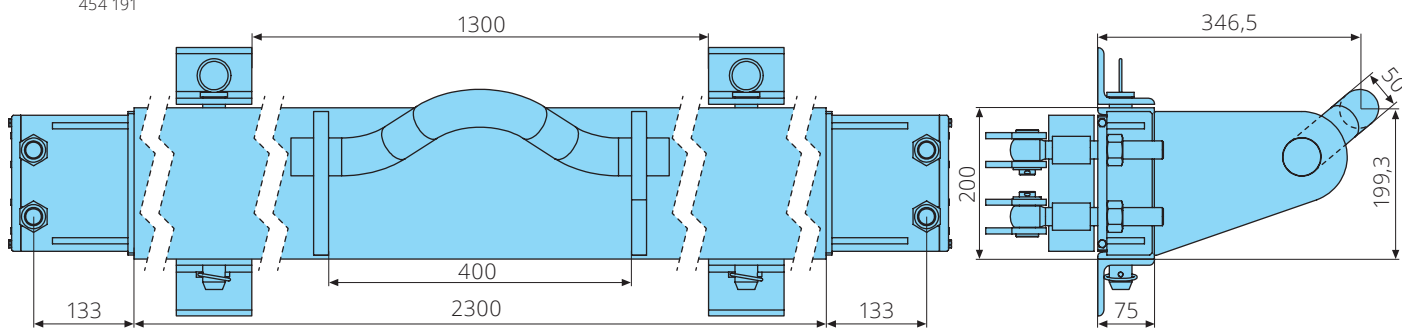


Article no.	Product	Description
454 159	Lifting bar	50x180x750mm, R130, cold-worked, S355J2+N
454 158	Lifting bar	50x200x580mm, R130, cold-worked, S355J2+N
454 151	Lifting bar	50x205x700mm, R130, cold-worked, S355J2+N
454 154	Lifting bar	50x300x900mm, R200, cold-worked, S355J2+N
454 153	Lifting bar	50x300x770mm, R200, cold-worked, S355J2+N
454 150	Lifting bar	50x323x500mm, R150, cold-worked, S355J2+N
454 148	Lifting bar	50x333x427mm, R124, forged, S355J2+N
454 157	Lifting bar	50x340x780mm, R150, cold-worked, S355J2+N
454 155	Lifting bar	50x340x390mm, R90, cold-worked, S355J2+N
454 156	Lifting bar	50x380x540mm, R50, cold-worked, S355J2+N
454 148 1	Lifting bar	50x450x450mm, R128, cold-worked, S355J2+N
454 152	Lifting bar	50x550x400mm, R50, cold-worked, S355J2+N

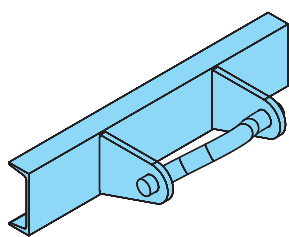
Guiding bar / Lifting bars complete



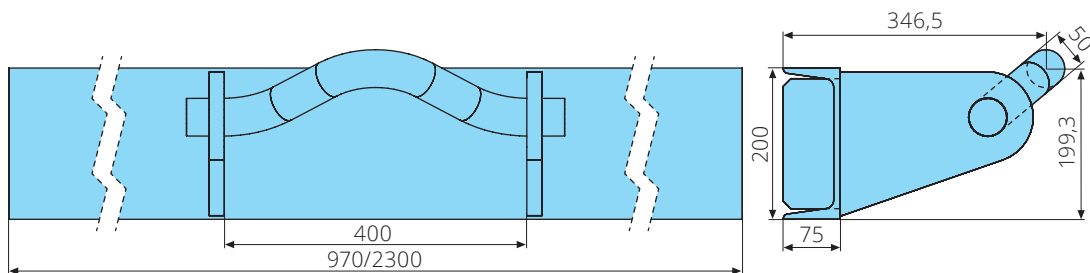
454 191



Article no.	Product	Description
454 191	Guiding bar complete	50x2300mm, for container doors, swiveling, U-profile 200mm, S355J2+N



454 180 /-190

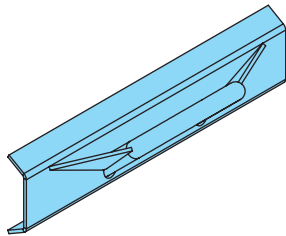


Article no.	Product	Description
454 180	Lifting bar complete	50x970mm, U-profile 200mm, primed, S355J2+N
454 190	Lifting bar complete	50x2300mm, U-profile 200mm, raw, S355J2+N

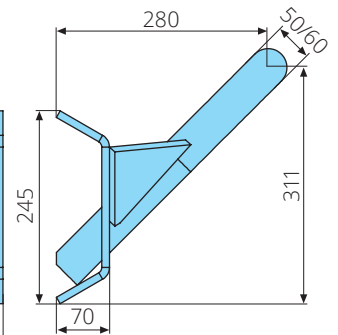
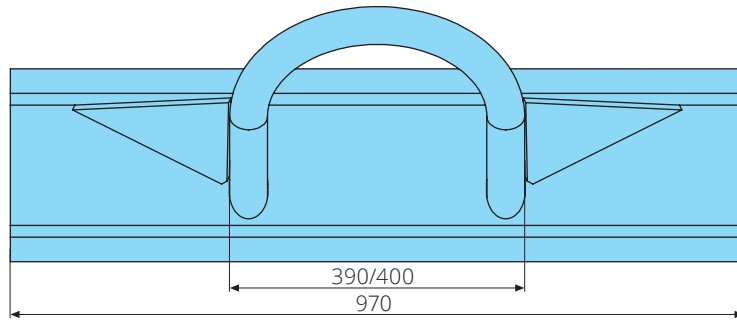
# Lifting bars complete

Guiding bar / Lifting bars complete

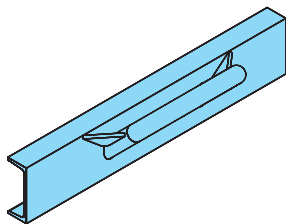
NEU



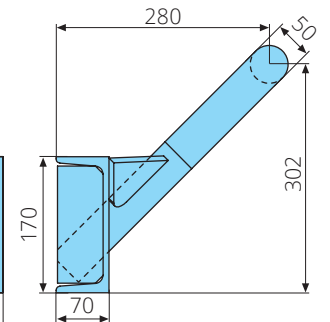
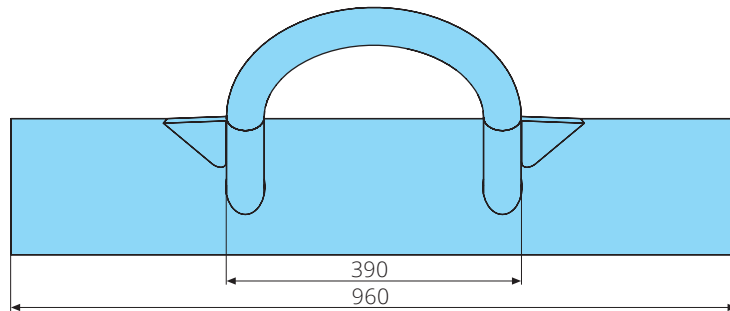
454 181 2 /-181 3



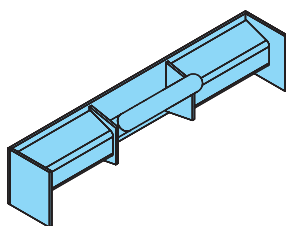
Article no.	Product	Description
454 181 2	Lifting bar complete	50x970mm, S355J2+N
454 181 3	Lifting bar complete	60x970mm, S355J2+N



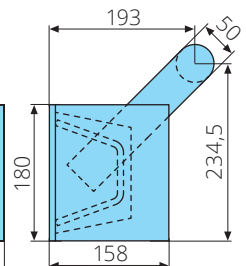
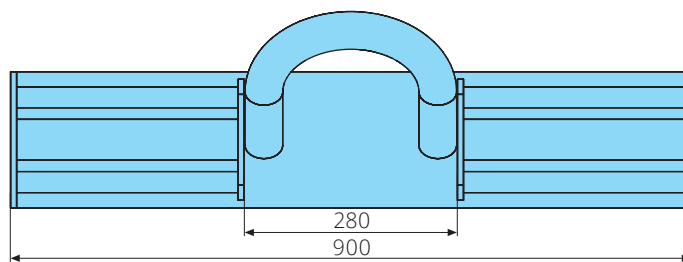
454 181 02



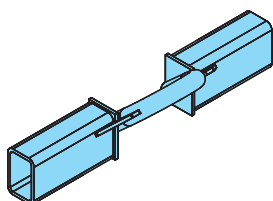
Article no.	Product	Description
454 181 02	Lifting bar complete	50x960mm, S355J2+N



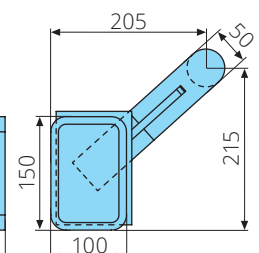
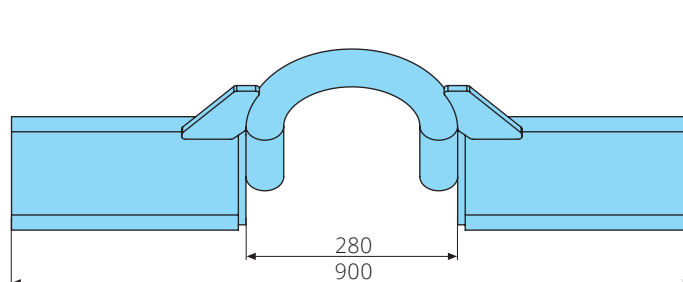
454 183



Article no.	Product	Description
454 183	Lifting bar complete	50x900mm, S355J2+N

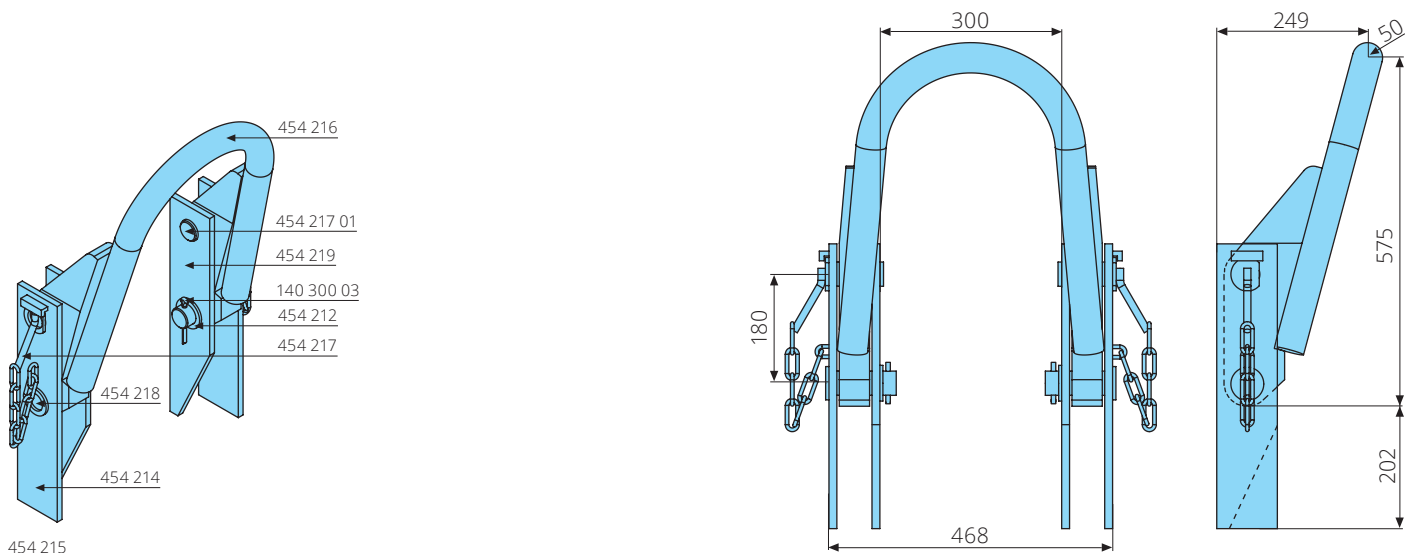


454 182



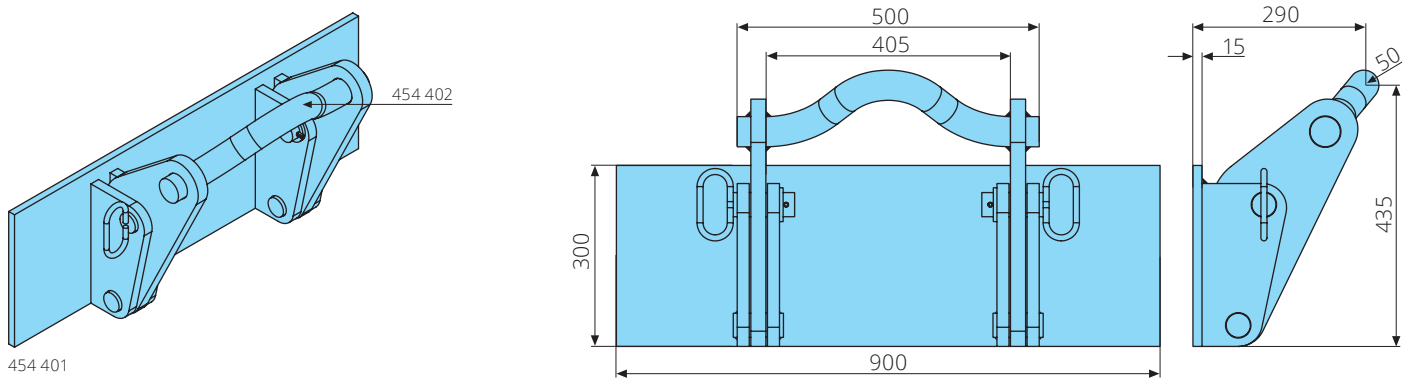
Article no.	Product	Description
454 182	Lifting bar complete	50x900mm, for volume containers, raw, S355J2+N, with lifting bar 454 149

Hinged lifting bars



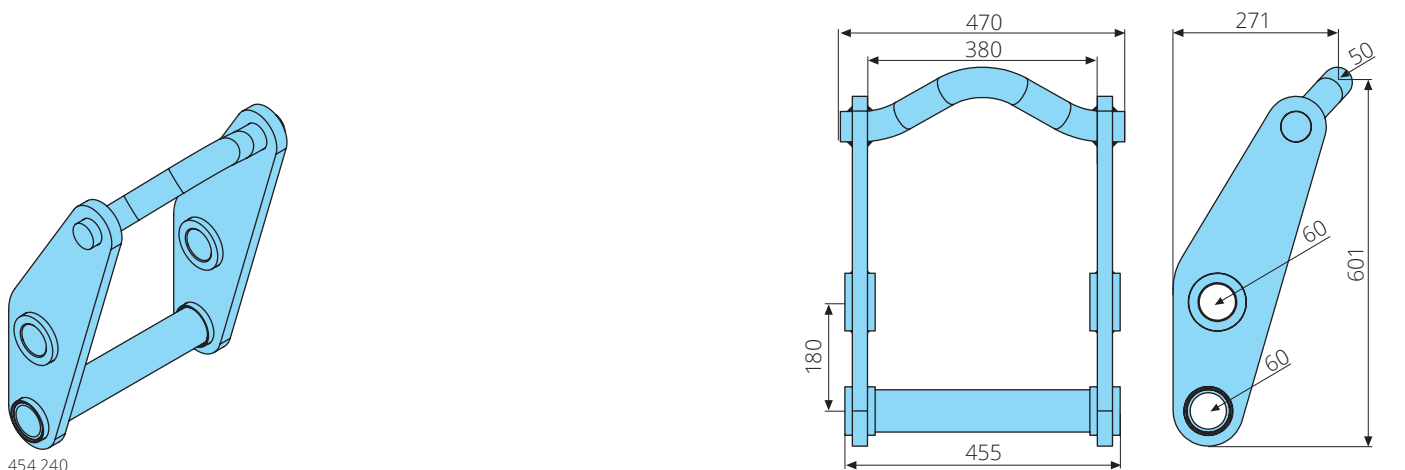
454 215

Article no.	Product	Description
454 215	Hinged lifting bar complete	50x468mm, universal, S355J2+N
454 216	Hinged lifting bar	50x434mm, S355J2+N
454 217	Bolt	40x90mm, left, with chain
454 217 01	Bolt	40x90mm, right, with chain
454 218	Bolt	40x110mm, without chain
140 300 03	Spring pin	8x70mm, ISO 8752
454 212	Washer	41-59-5mm
454 214	Plate	with pin safety latch
454 219	Plate	without pin safety latch



454 401

Article no.	Product	Description
454 401	Hinged lifting bar complete	50x900mm, S355J2+N
454 402	Hinged lifting bar	50x500mm, S355J2+N

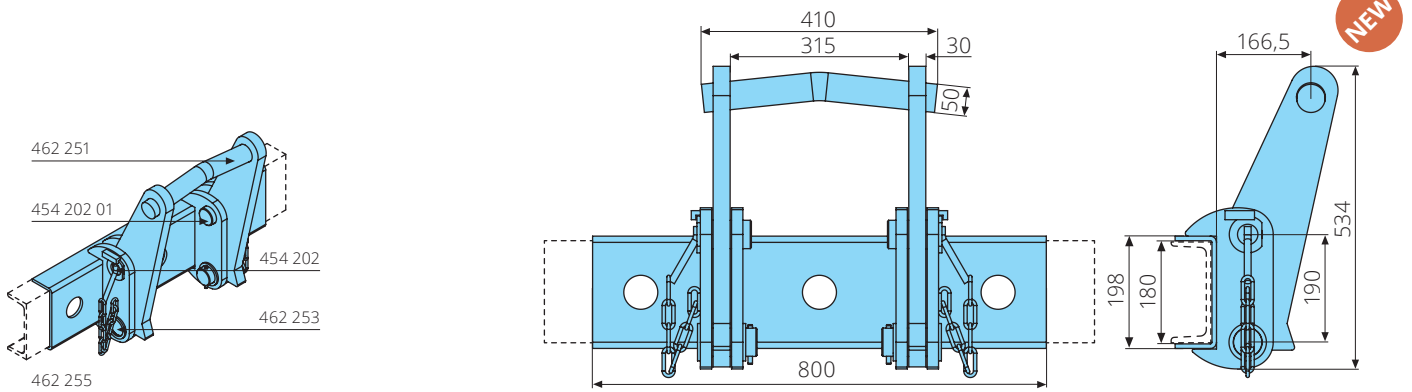


454 240

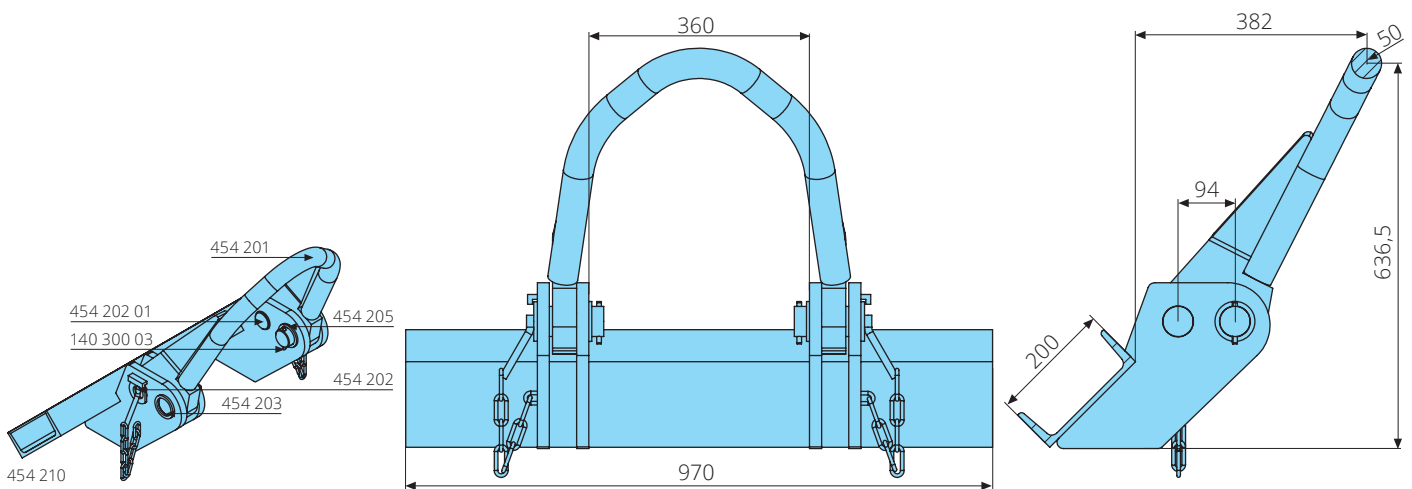
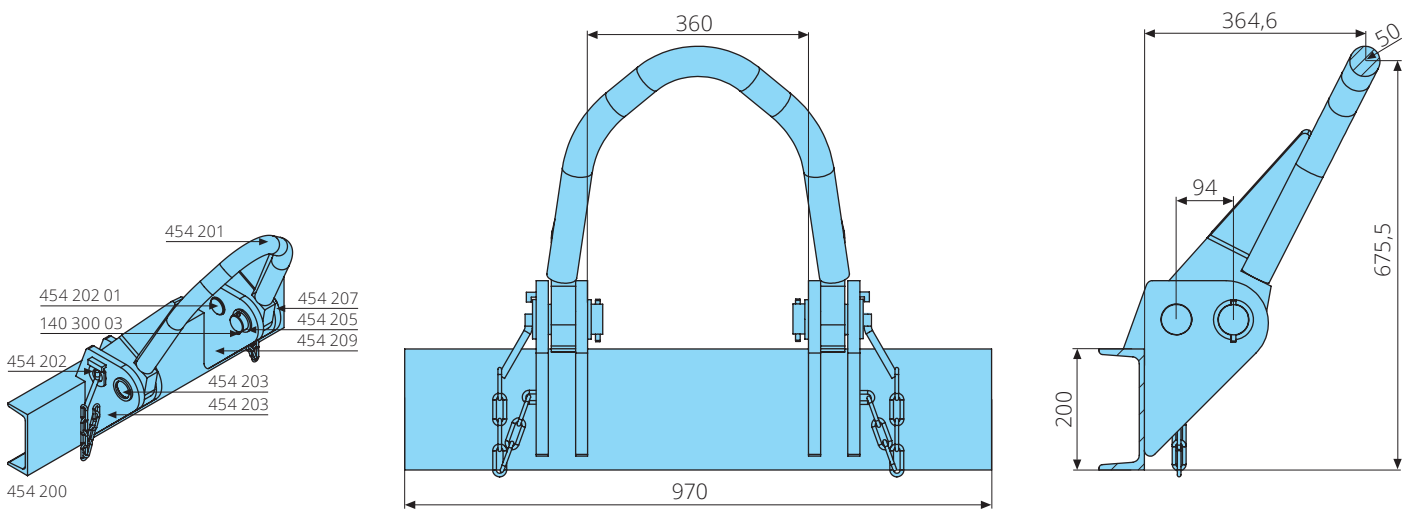
Article no.	Product	Description
454 240	Hinged lifting bar	50x455mm, S355J2+N, type LOTUS

## Hinged lifting bars

Hinged lifting bars



Article no.	Product	Description
462 255	Hinged lifting bar complete	50x800mm, S355J2+N, type HUSMANN
462 251	Hinged lifting bar	50x410mm, S355J2+N, bore spacing 190mm, type HUSMANN
454 202	Bolt	50x90mm, left, with chain
454 202 01	Bolt	50x90mm, right, with chain
462 253	Bolt	50x100mm, type HUSMANN

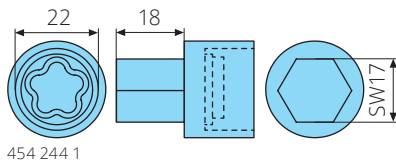
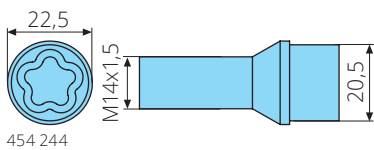
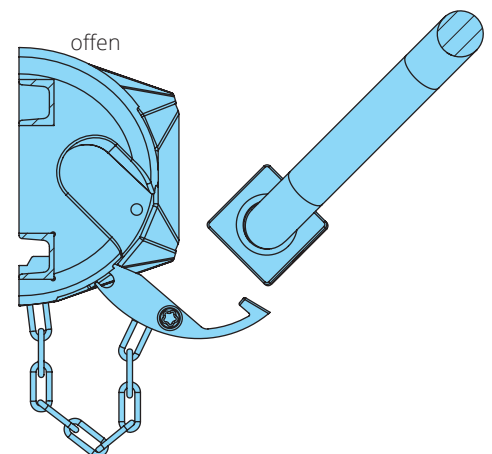
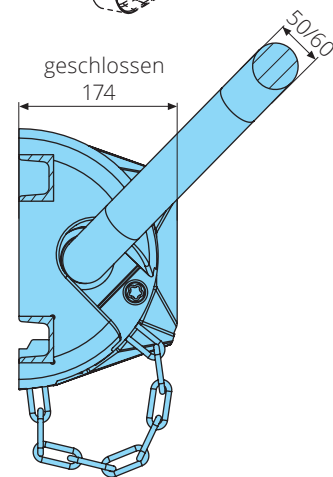
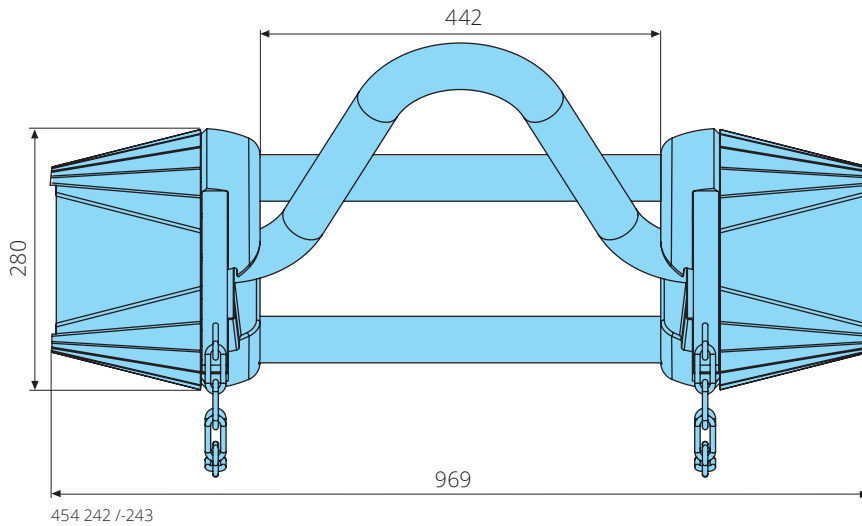
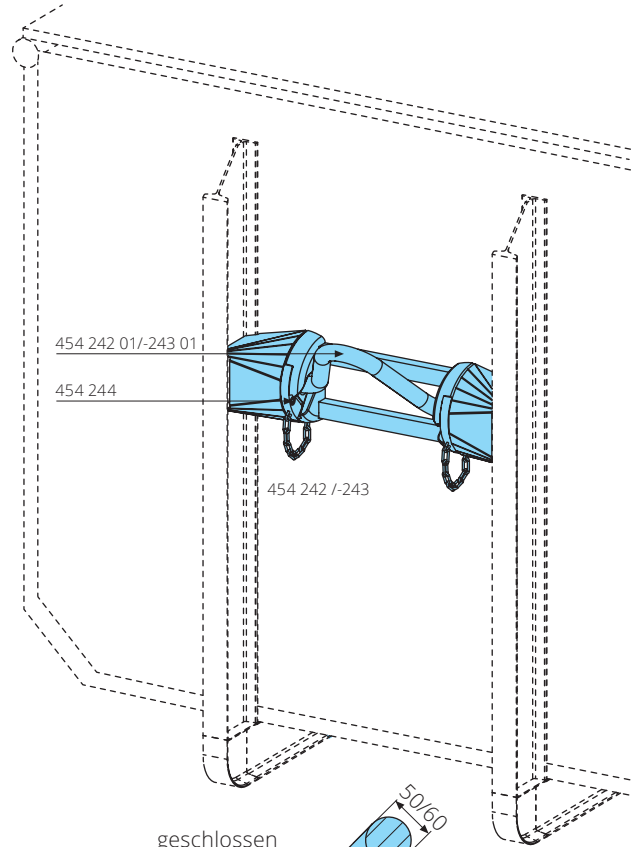


Article no.	Product	Description
454 200	Hinged lifting bar complete	50x970mm, for 90° front wall, S355J2+N
454 210	Hinged lifting bar complete	50x970mm, for 133° Front Wall, S355J2+N
454 201	Hinged lifting bar	50x485mm, S355J2+N
454 202	Bolt	50x90mm, left, with chain
454 202 01	Bolt	50x90mm, right, with chain
454 203	Bolt	50x110mm, without chain
140 300 03	Spring pin	8x70mm, ISO 8752
454 205	Washer	51-65-5mm
454 206	Side plate	left, with pin safety latch, for hinged lifting bar 454 200
454 207	Side plate	right, with pin safety latch, for hinged lifting bar 454 200
454 209	Side plate	internal, without pin safety latch, for hinged lifting bar 454 200

## Exchangeable lifting bars

- due to the slot system the lifting bar is easily interchangeable
- only has to be exchanged if below a wear limit of 10%
- can be used as anti-theft device
- maximum carrying capacity 15/24 t
- weight 17/22 kg
- additionally the bar can be secured with a normal or personalized lock
- can be upgraded since measurements are according to DIN
- DEKRA tested

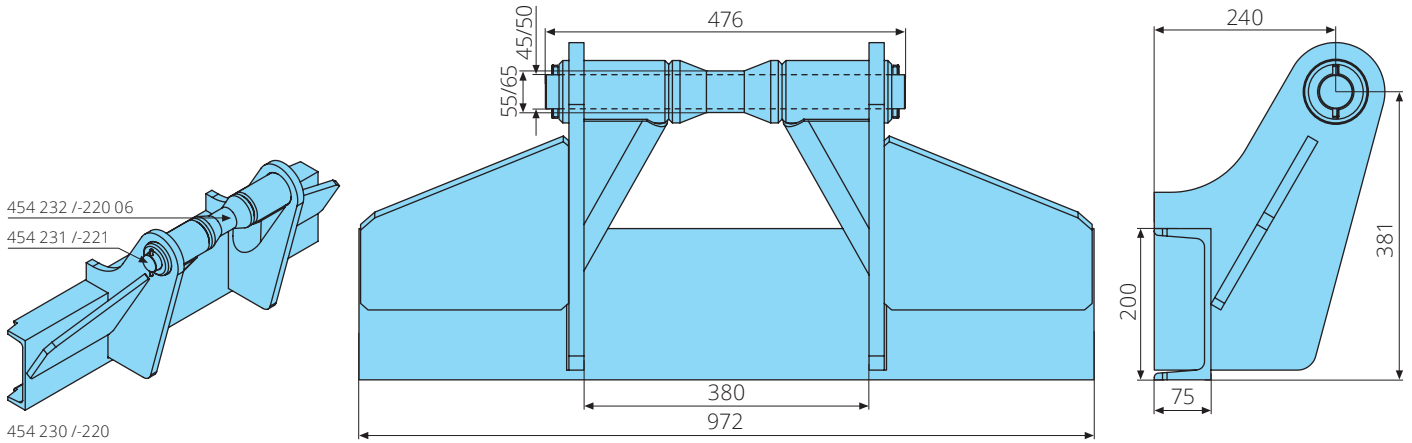
Utility model DE 20 2012 008 224.8



Article no.	Product	Description
454 242	Exchangeable lifting bar complete	50x969mm, S355J2+N
454 242 01	Exchangeable lifting bar	50x565mm, S355J2+N
454 243	Exchangeable lifting bar complete	60x969mm, S355J2+N
454 243 01	Exchangeable lifting bar	60x565mm, S355J2+N
Article no.	Product	Description
454 244	Lock for exchangeable lifting bar	M14x1,5mm
454 244 1	Key for exchangeable lifting bar	SW17

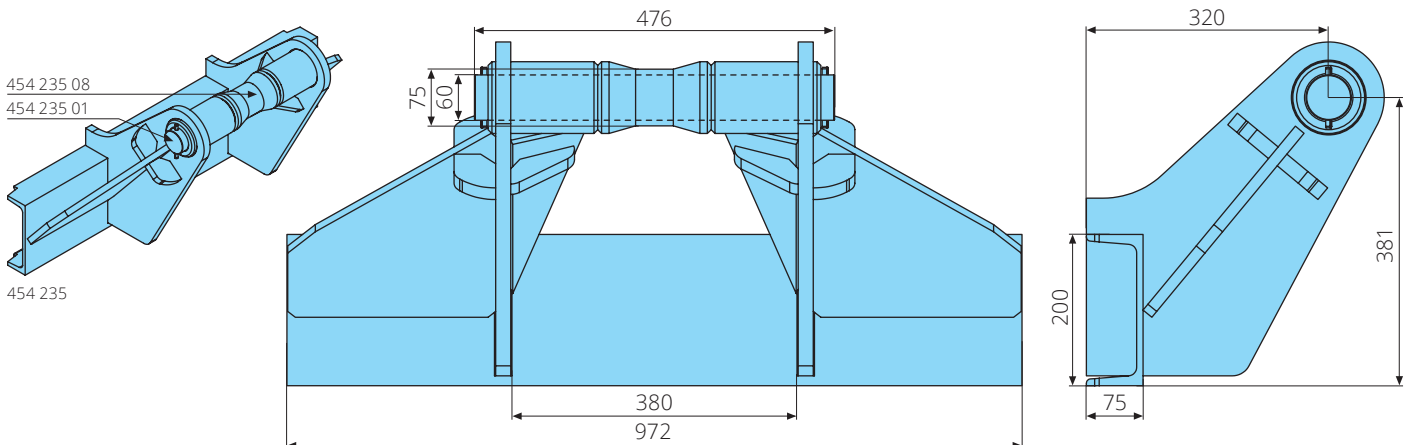


## Heavy duty lifting bars



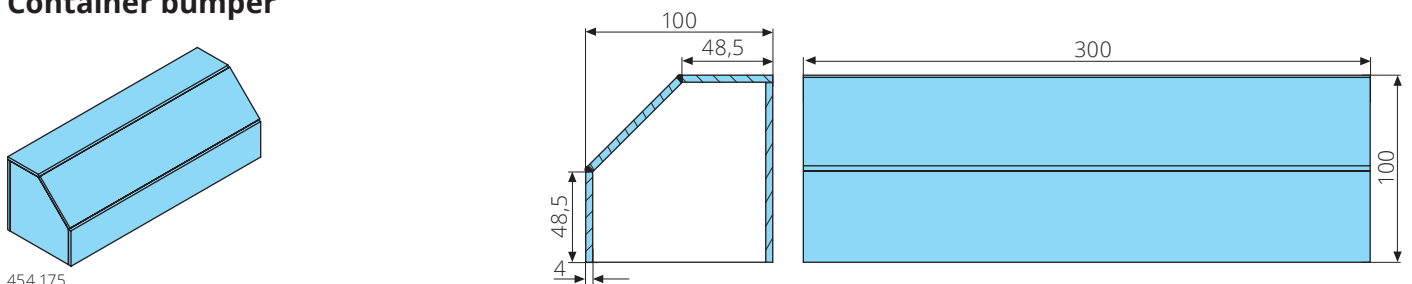
Article no.	Product	Description
454 230	Heavy duty lifting bar complete	55x972mm, roller D=55mm
454 231	Shaft	45x476mm, 42CrMo4
454 232	Roller	45-55-150mm, with 2 bushings

Article no.	Product	Description
454 220	Heavy duty lifting bar complete	65x972mm, roller D=65mm
454 221	Shaft	50x476mm, S355J2
454 220 06	Roller	50-65-150mm, with 2 bushings



Article no.	Product	Description
454 235	Heavy duty lifting bar complete	75x972mm, roller D=75mm
454 235 01	Shaft	60x476mm, 42CroMo4
454 235 08	Roller	60-75-150mm, with 2 bushings

## Container bumper



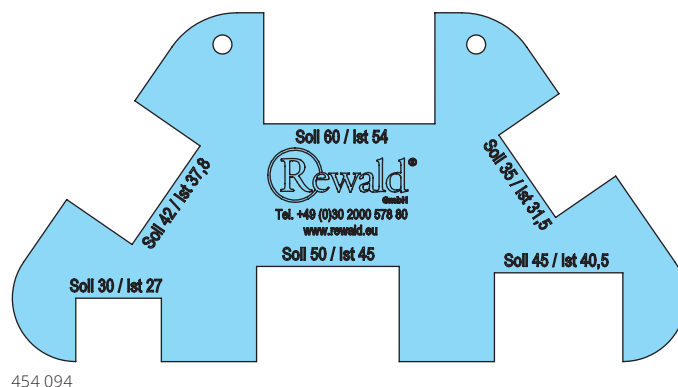
Article no.	Product	Description
454 175	Container bumper	100x300x100mm, S235JR

## Wear gauge for container inspection according to DIN (wear limit of 10%)

6 gap gauges for checking admissible wear limits of 10% according to DIN 30735, DIN 30720-1/-2 & DIN 30722-1/-2/-3:

- Lifting bars on roll-off containers & mobile compactors
- Tipping bolts on skips
- Lifting lugs on skips

The wear gauge enables a quick & secure check of the above named components within the framework of container inspections. Select the respective gap gauge according to the nominal dimension for the lifting bar, tipping bolt or lifting lug. If it is possible to slide the gauge over the diameter of the tested part, it no longer conforms with safety requirements. Holes for filing away.



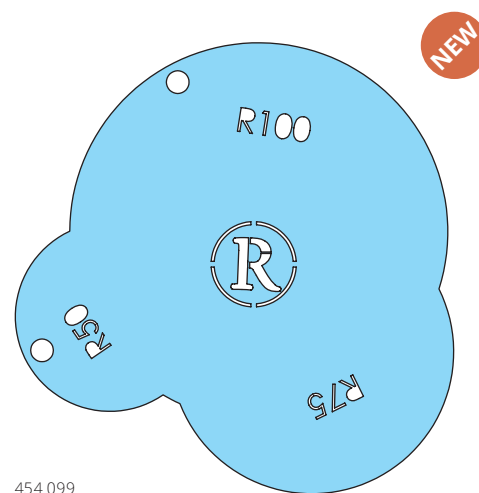
Article no.	Product	Description
454 094	Wear gauge	V4A plate, for checking a wear limit of 10% according to DIN

## Radius gauge for checking lifting bars

3 gauges for checking lifting bar radii:

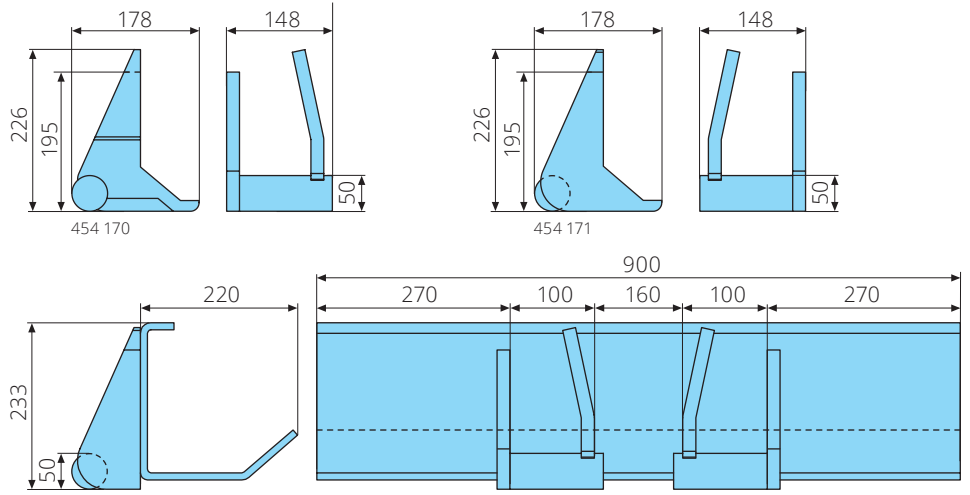
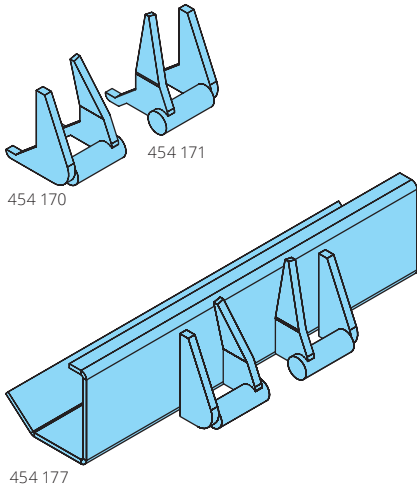
- R50
- R75
- R100

Holes for filing away.



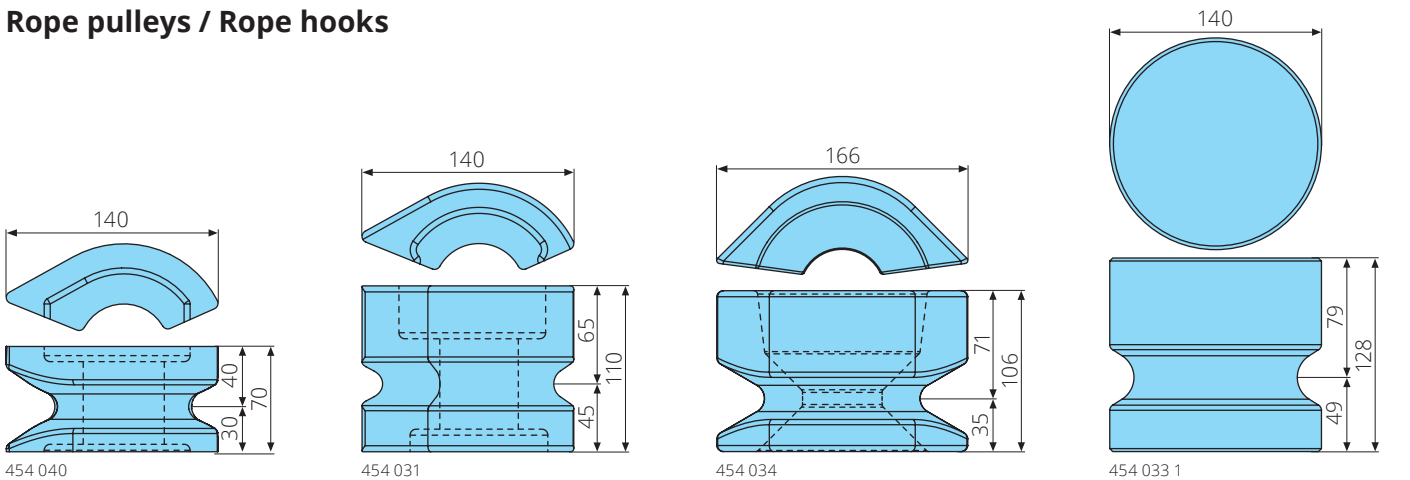
Article no.	Product	Description
454 099	Radius gauge	steel plate, for checking R50, R75 & R100

### Chain guides

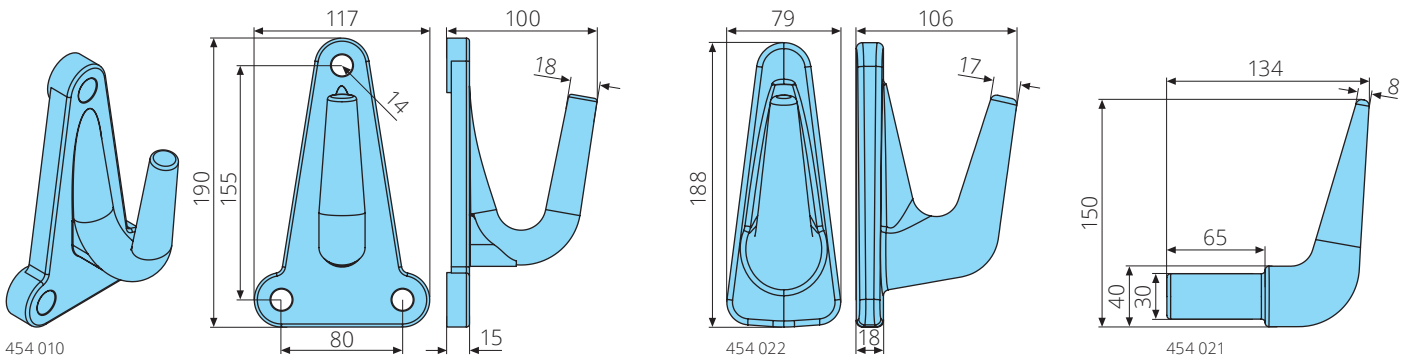


Article no.	Product	Description
454 170	Chain guide	left, S355J2
454 171	Chain guide	right, S355J2
454 177	Chain guide complete	primed, S355J2

### Rope pulleys / Rope hooks



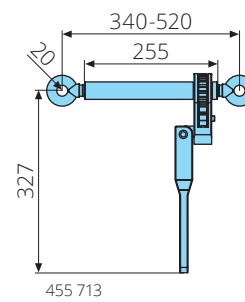
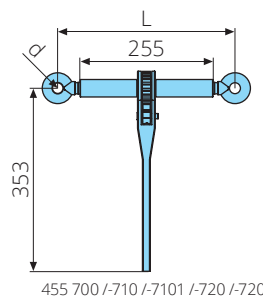
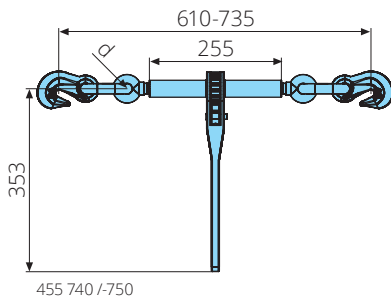
Article no.	Product	Description
454 040	Rope pulley	140x70mm, left
454 045	Rope pulley	140x70mm, right
454 031	Rope pulley	140x110mm, left
454 032	Rope pulley	140x110mm, right
454 034	Rope pulley	166x106mm, forged, S355J2
454 033 1	Rope pulley	140x128mm



Article no.	Product	Description
454 010	Rope hook	for screw mounting
454 022	Rope hook	for welding, forged
454 021	Rope hook	for welding, forged

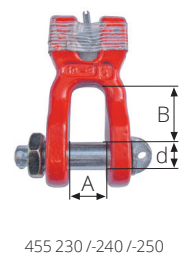
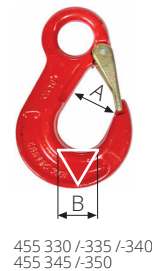
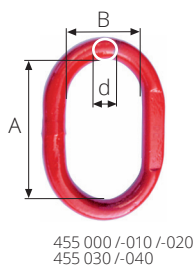
Wear gauge / Radius gauge / Rope pulleys / Chain guides / Rope hooks

## Ratchet load binders



Article no.	Product	Description
455 740	Ratchet load binder with hooks	NG 10, LC 6.300daN, MBL 12.600daN, d=20mm, L=610-735mm, painted red
455 750	Ratchet load binder with hooks	NG 13, LC 10.000daN, MBL 21.200daN, d=26mm, L=610-735mm, painted red
455 700	Ratchet load binder	NG 8, LC 4.000daN, MBL 8.000daN, d=20mm, L=320-480mm, painted red
455 710	Ratchet load binder	NG 10, LC 6.300daN, MBL 12.600daN, d=20mm, L=340-520mm, painted red
455 713	Ratchet load binder with foldable handle	NG 10, LC 6.300daN, MBL 12.600daN, d=20mm, L=340-520mm, painted red
455 710 1	Ratchet load binder	NG 10, LC 6.300daN, MBL 12.600daN, d=20mm, L=340-520mm, galvanized
455 720	Ratchet load binder	NG 13, LC 10.000daN, MBL 20.000daN, d=26mm, L=360-530mm, painted red
455 720 1	Ratchet load binder	NG 13, LC 10.000daN, MBL 20.000daN, d=26mm, L=360-530mm, galvanized

## Cargo securing



Article no.	Product	Description	A	B	d
455 000	Suspension link	NG 6, WLL 1,6t, GK 8, according to EN-1677-4	110mm	60mm	13mm
455 010	Suspension link	NG 8, WLL 2,12t, GK 8, according to EN-1677-4	110mm	60mm	16mm
455 020	Suspension link	NG 10, WLL 3,15t, GK 8, according to EN-1677-4	135mm	75mm	18mm
455 030	Suspension link	NG 13, WLL 5,3t, GK 8, according to EN-1677-4	160mm	90mm	22mm
455 040	Suspension link	NG 16, WLL 8t, GK 8, according to EN-1677-4	180mm	100mm	26mm

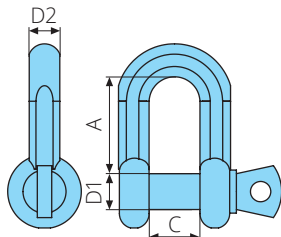
Article no.	Product	Description	A	d
455 100	Coupling	NG 6, WLL 1,12t, GK 8	18mm	7,6mm
455 105	Coupling	NG 8, WLL 2t, GK 8	23mm	10mm
455 110	Coupling	NG 10, WLL 3,15t, GK 8	27mm	12,6mm
455 115	Coupling	NG 13, WLL 5,3t, GK 8	34mm	16,7mm
455 120	Coupling	NG 16, WLL 8t, GK 8	39mm	21mm

Article no.	Product	Description	A	B
455 300	Clevis load hook	NG 6, WLL 1,12t, GK 8, forged safety latch	26mm	15mm
455 305	Clevis load hook	NG 8, WLL 2t, GK 8, forged safety latch	34mm	19mm
455 310	Clevis load hook	NG 10, WLL 3,15t, GK 8, forged safety latch	40mm	25mm

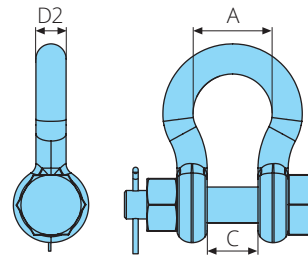
Article no.	Product	Description	A	B
455 330	Eye load hook	NG 6, WLL 1,12t, GK 8, forged safety latch	25mm	16,5mm
455 335	Eye load hook	NG 8, WLL 2t, GK 8, forged safety latch	33mm	19mm
455 340	Eye load hook	NG 10, WLL 3,15t, GK 8, forged safety latch	40mm	26mm
455 345	Eye load hook	NG 13, WLL 5,3t, GK 8, forged safety latch	51mm	33mm
455 350	Eye load hook	NG 16, WLL 8t, GK 8, forged safety latch	55mm	40mm

Article no.	Product	Description	A	B	d
455 230	Clevis shackle	NG 10, WLL 3,15t, GK 8	21mm	36mm	16mm
455 240	Clevis shackle	NG 13, WLL 5,3t, GK 8	27mm	49mm	20mm
455 250	Clevis shackle	NG 16, WLL 8t, GK 8	33mm	56mm	24mm

## Cargo securing



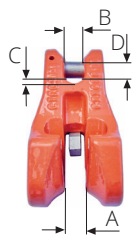
455 600 /-605 /-610 /-615



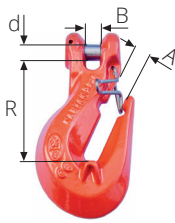
455 630 /-635 /-640 /-645 /-650 /-655

Article no.	Product	Description	A	C	D1	D2
455 600	Shackle	5/8", 3,25t	51mm	27mm	20mm	16mm
455 605	Shackle	3/4", 4,75t	60mm	32mm	22mm	19mm
455 610	Shackle	7/8", 6,5t	71mm	36mm	27mm	22mm
455 615	Shackle	1", 8,5t	81mm	43mm	28mm	25mm

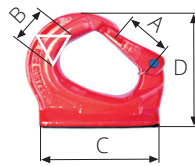
Article no.	Product	Description	A	C	D1	D2
455 630	Shackle curved	3/8", 1t	26mm	16mm	12mm	10mm
455 635	Shackle curved	5/8", 3,25t	43mm	27mm	20mm	16mm
455 640	Shackle curved	3/4", 4,75t	51mm	32mm	22mm	19mm
455 645	Shackle curved	7/8", 6,5t	58mm	36mm	27mm	22mm
455 650	Shackle curved	1", 8,5t	68mm	43mm	28mm	25mm
455 655	Shackle curved	1 1/8", 9,5t	74mm	46mm	33mm	29mm



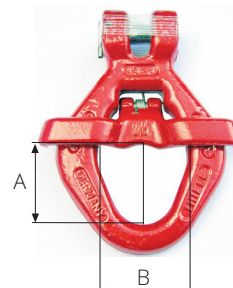
455 405 /-410 /-415



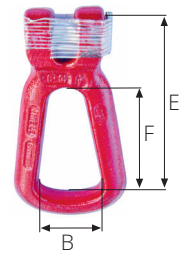
455 450 /-455  
455 460 /-465



455 565 /-570 /-575



455 355 /-360



455 535 /-340

Article no.	Product	Description	A/B	C	DxL
455 405	Shortening cleat	NG 8, WLL 2t, GK 8, with clevis & safety latch	9,5mm	10mm	10x22,5mm
455 410	Shortening cleat	NG 10, WLL 3,15t, GK 8, with clevis & safety latch	12mm	14,5mm	13x31,5mm
455 415	Shortening cleat	NG 13, WLL 5,3t, GK 8, with clevis & safety latch	16mm	18mm	16x42mm

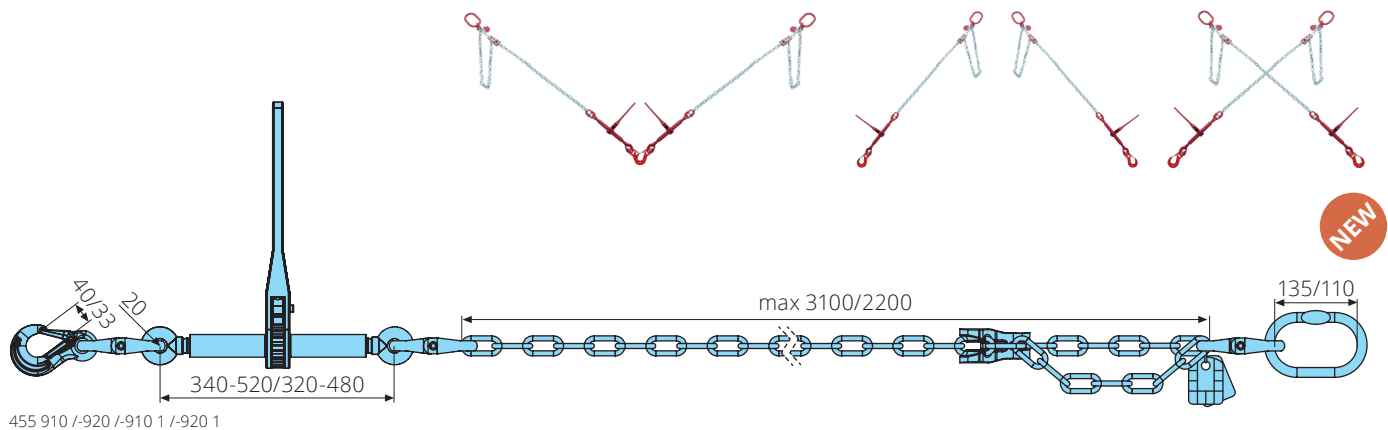
Article no.	Product	Description	A/B	R	DxL
455 450	Shortening hook	NG 6, WLL 1,12t, GK 8, with clevis & safety latch	8mm	51mm	7,5x17,5mm
455 455	Shortening hook	NG 8, WLL 2t, GK 8, with clevis & safety latch	10mm	65mm	10x13mm
455 460	Shortening hook	NG 10, WLL 3,15t, GK 8, with clevis & safety latch	13mm	80mm	13x31,5mm
455 465	Shortening hook	NG 13, WLL 5,3t, GK 8, with clevis & safety latch	17mm	105mm	16x42mm

Article no.	Product	Description	A	B	C	D
455 565	Weld-on hook	WLL 3t, GK 8	30,5mm	24mm	129mm	106mm
455 570	Weld-on hook	WLL 5t, GK 8	34,5mm	30mm	171mm	136mm
455 575	Weld-on hook	WLL 8t, GK 8	34,5mm	39mm	177mm	140mm

Article no.	Product	Description	A	B
455 355	Lifting eye	NG 13, WLL 5,3t, GK 8, with clevis, forged safety latch	57mm	65mm
455 360	Lifting eye	NG 16, WLL 8t, GK 8, with clevis, forged safety latch	57mm	65mm

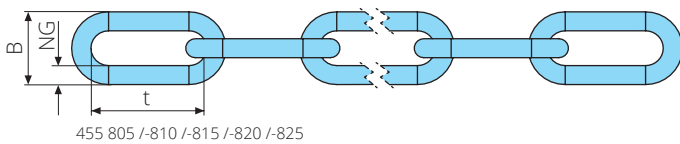
Article no.	Product	Description	B	E	F
455 535	Lifting link	NG 10, WLL 3,15t, GK 8, for mini skip, with clevis	49mm	126mm	95mm
455 540	Lifting link	NG 13, WLL 5,3t, GK 8, for mini skip, with clevis	60mm	158,5mm	120mm

## Container lashings / Lashing chains



455 910 /-920 /-910 1 /-920 1

Article no.	Product	Description
455 910	Container lashing	NG 10, GK 8, lashing capacity 6.300daN, maximum effective length 3100mm/strand
455 920	Container lashing	NG 10, GK 8, lashing capacity 6.300daN, maximum effective length 2200m/strand
455 910 1	Container lashing	NG 8, GK 8, lashing capacity 6.300daN, maximum effective length 3100m/strand
455 920 1	Container lashing	NG 8, GK 8, lashing capacity 6.300daN, maximum effective length 2200m/strand

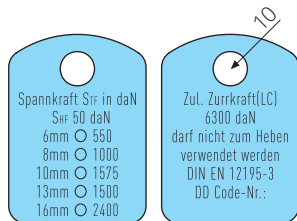


455 805 /-810 /-815 /-820 /-825

Article no.	Product	Description	B	NG	t	WLL
455 805	Lashing chain	EN 818-2	21,6mm	6mm	18mm	1,12t
455 810	Lashing chain	EN 818-2	28,8mm	8mm	24mm	2t
455 815	Lashing chain	EN 818-2	36mm	10mm	30mm	3,15t
455 820	Lashing chain	EN 818-2	46,8mm	13mm	39mm	5,3t
455 825	Lashing chain	EN 818-2	57,6mm	16mm	48mm	8t



455 830



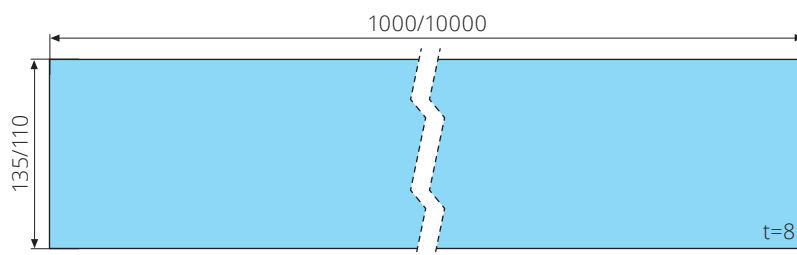
455 831

Article no.	Product	Description
455 830	Inspection badge	for lashing chain GK 8
455 831	Inspection badge	for lashing chain GK 8, lashing force

## Anti-slip mats

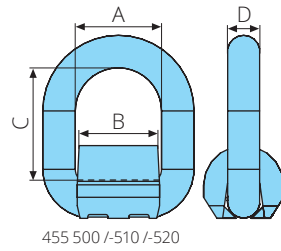
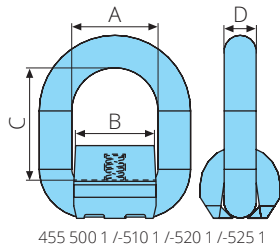


455 981 /-982

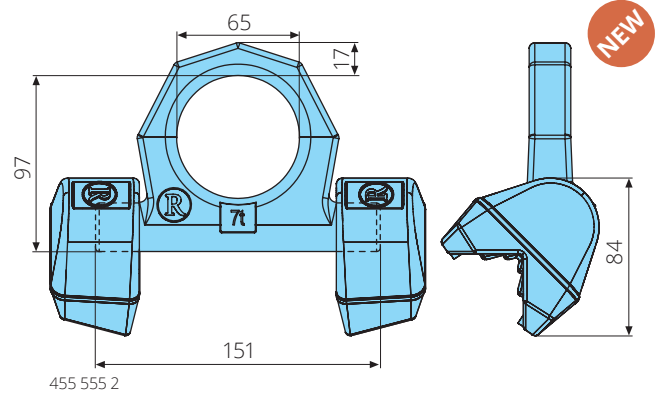
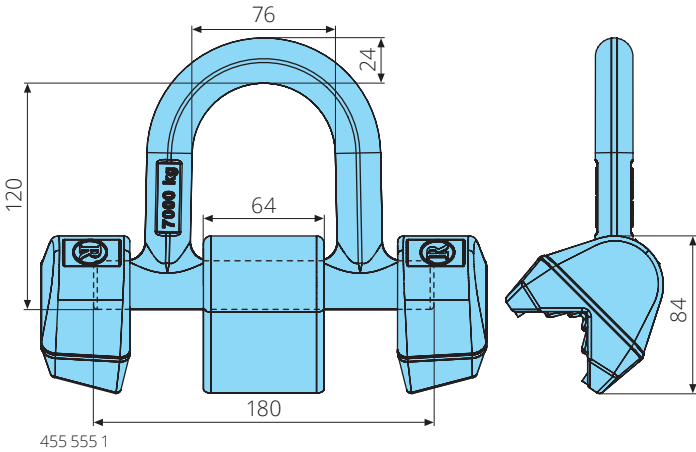


Article no.	Product	Description
455 981	Anti-slip mat	125x1000x8mm, slip-friction coefficient $\mu=0,6$
455 982	Anti-slip mat	125x10000x8mm, slip-friction coefficient $\mu=0,6$

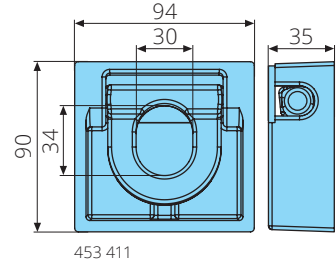
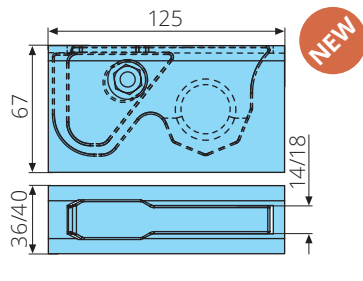
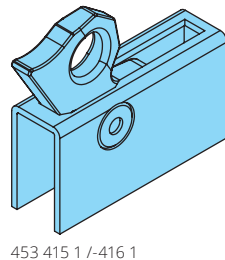
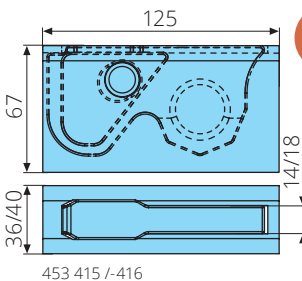
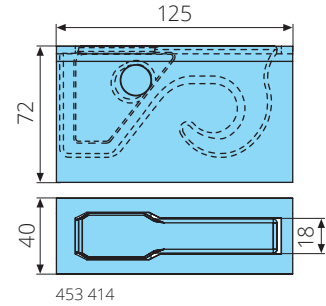
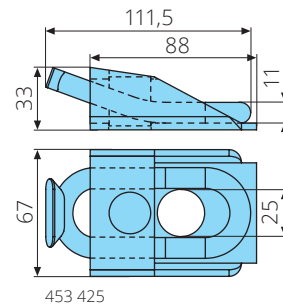
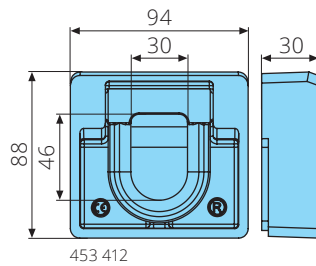
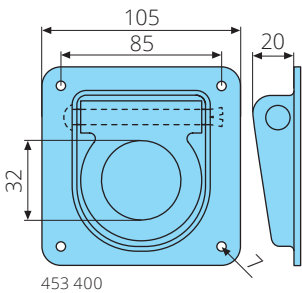
### Lifting points / Load rings / Lashing eyes



Article no.	Product	Description	A	B	C	D
455 500 1	Lifting point	WLL 3,15t, with spring, for welding	45	43	60	17
455 500	Lifting point	WLL 3,15t, for welding	45	43	60	17
455 510 1	Lifting point	WLL 5,3t, with spring, for welding	55	49	76	22
455 510	Lifting point	WLL 5,3t, for welding	55	49	76	22
455 520 1	Lifting point	WLL 8t, with spring, for welding	69	66	88	26,5
455 520	Lifting point	WLL 8t, for welding	69	66	88	26,5
455 525 1	Lifting point	WLL 15t, with spring, for welding	97	90	120	34

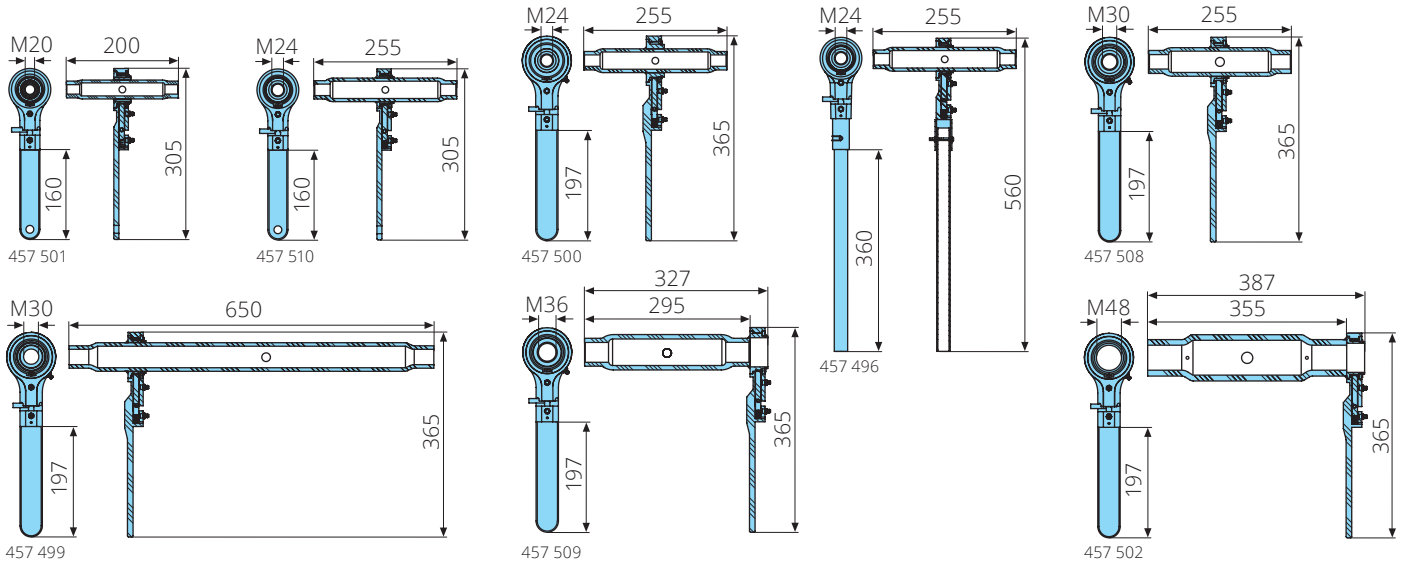


Article no.	Product	Description
455 555 1	Load ring for crane liftable skips	WLL 7t, for welding, swivel range 270°, with left, right & center mount
455 555 2	Load ring for crane liftable skips	WLL 7t, for welding, swivel range 270°, with left & right mount

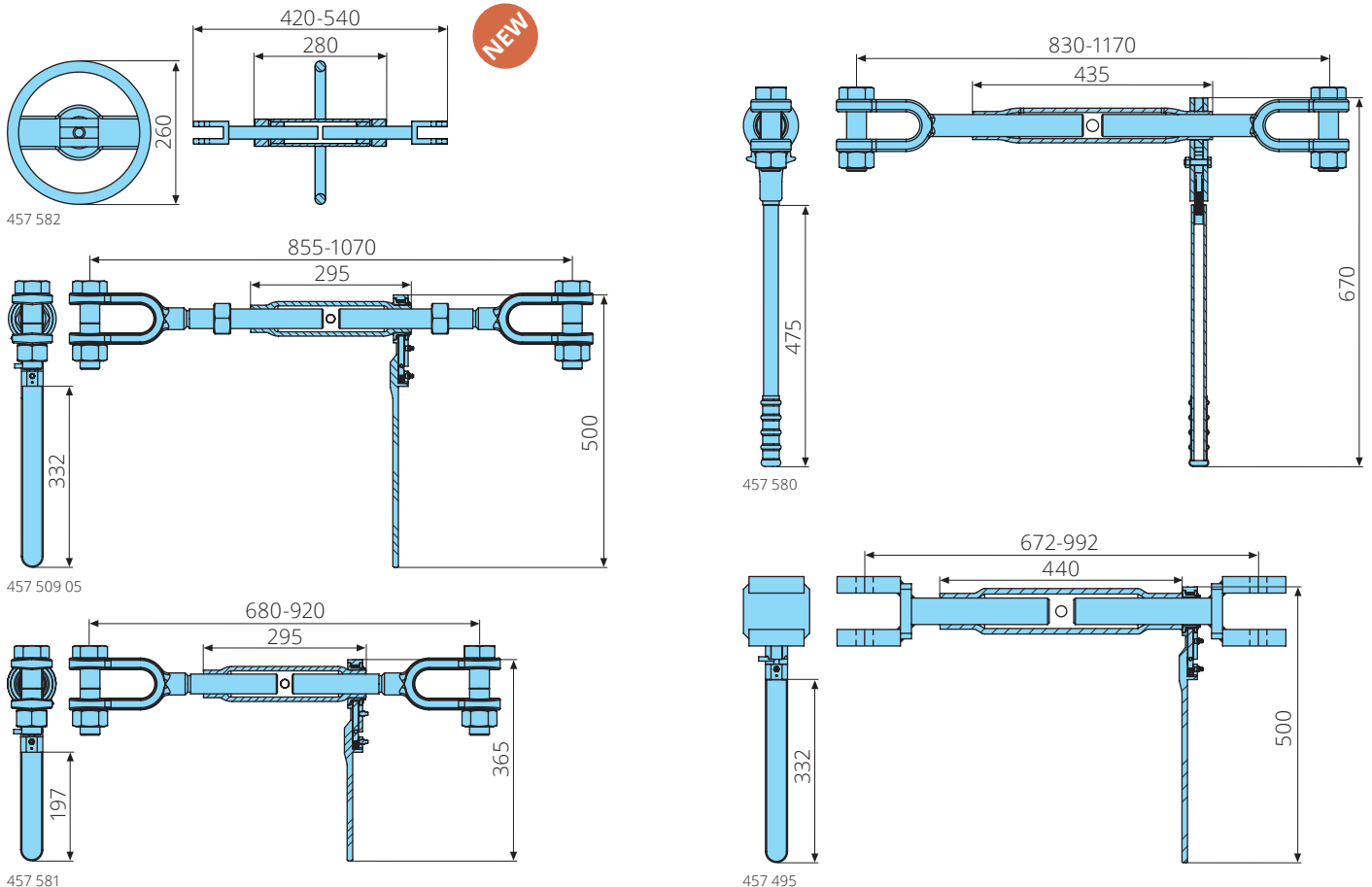


Article no.	Product	Description
453 400	Lashing eye	105x105x20mm, LC 1000daN (1t), galvanized, for wooden floors, with spring & drain hole
453 412	Lashing eye	88x94x30mm, LC 2500daN (2,5t), raw, with drain hole
453 425	Lashing eye	33x109x67mm, LC 2500daN (2,5t), forged
453 414	Lashing hook	72x125x40mm, LC 3000daN (3t), forged, foldable
453 415	Lashing hook	67x125x36mm, LC 4000daN (4t), forged, foldable
453 415 1	Lashing hook	67x125x36mm, LC 4000daN (4t), forged, foldable, threaded bolt
453 416	Lashing hook	67x125x40mm, LC 6000daN (6t), forged, foldable
453 416 1	Lashing hook	67x125x40mm, LC 6000daN (6t), forged, foldable, threaded bolt
453 411	Lashing eye	90x94x35mm, LC 6000daN (6t), raw, with drain hole

Ratchets



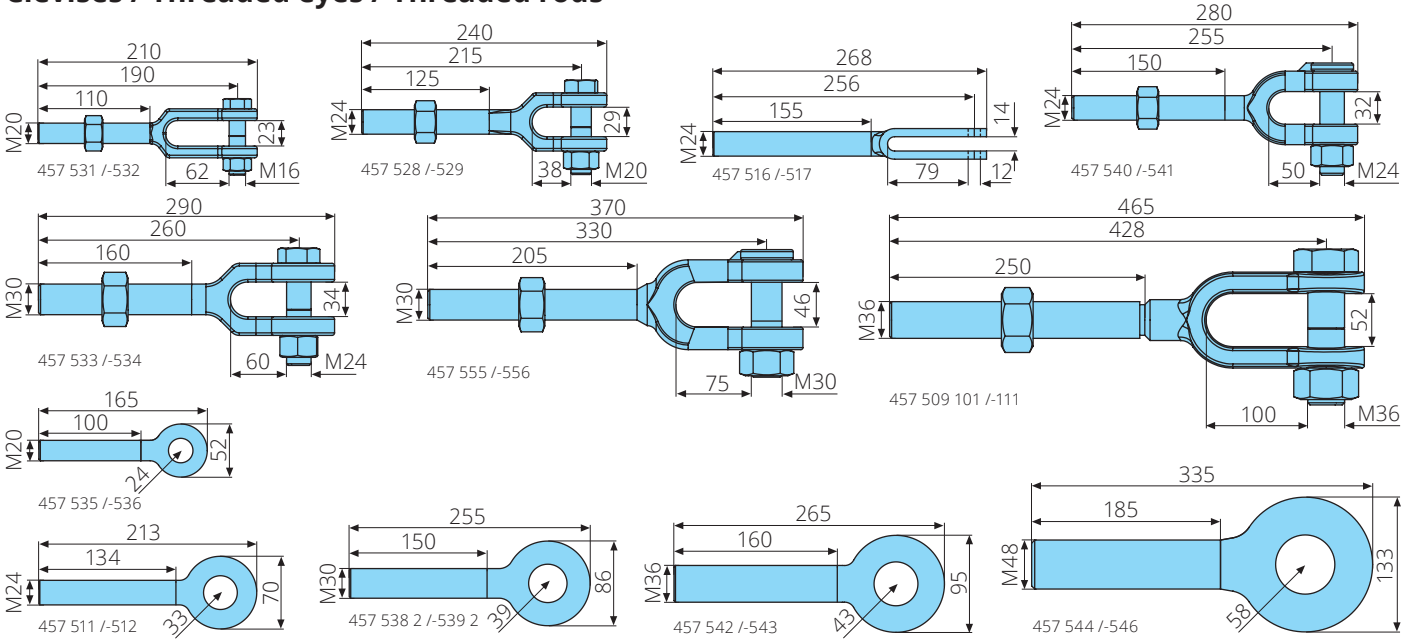
Article no.	Product	Description
457 501	Ratchet	M20, turnbuckle L=200mm, handle L=160mm, for compactors, type LOTUS, galvanized
457 510	Ratchet	M24, turnbuckle L=255mm, handle L=160mm, for compactors, galvanized
457 500	Ratchet	M24, turnbuckle L=255mm, handle L=197mm, for compactors, galvanized
457 496	Ratchet	M24, turnbuckle L=255mm, handle L=360mm, for swap containers, type HÄFFERMANN, galvanized
457 508	Ratchet	M30, turnbuckle L=255mm, handle L=197mm, for compactors, galvanized
457 499	Ratchet	M30, turnbuckle L=650mm, handle L=197mm, for stationary compactors, galvanized
457 509	Ratchet	M36, turnbuckle L=295mm, handle L=197mm, for compactors, galvanized
457 502	Ratchet	M48, turnbuckle L=355mm, handle L=197mm, for stationary compactors, galvanized



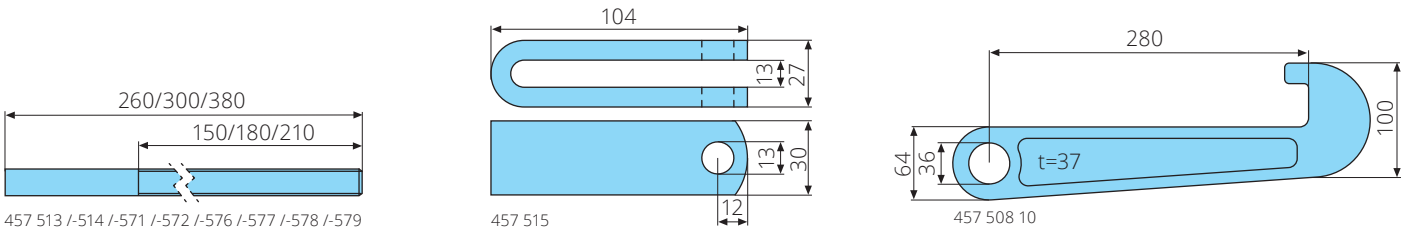
Article no.	Product	Description
457 582	Ratchet with clevises & hand wheel	TR24x5, turnbuckle L=280mm, hand wheel D=260mm, with clevises, painted black
457 509 05	Ratchet with clevises	M36, turnbuckle L=295mm, handle L=332mm, with clevises 457 509 101 /-509 111, galvanized
457 581	Ratchet with clevises	M36, turnbuckle L=295mm, handle L=197mm, with clevises, galvanized
457 580	Ratchet with clevises	M40, turnbuckle L=435mm, handle L=465mm, with clevises, galvanized
457 495	Ratchet with clevises	TR48, turnbuckle L=440mm, handle L=332mm, with clevises, galvanized



### Clevises / Threaded eyes / Threaded rods

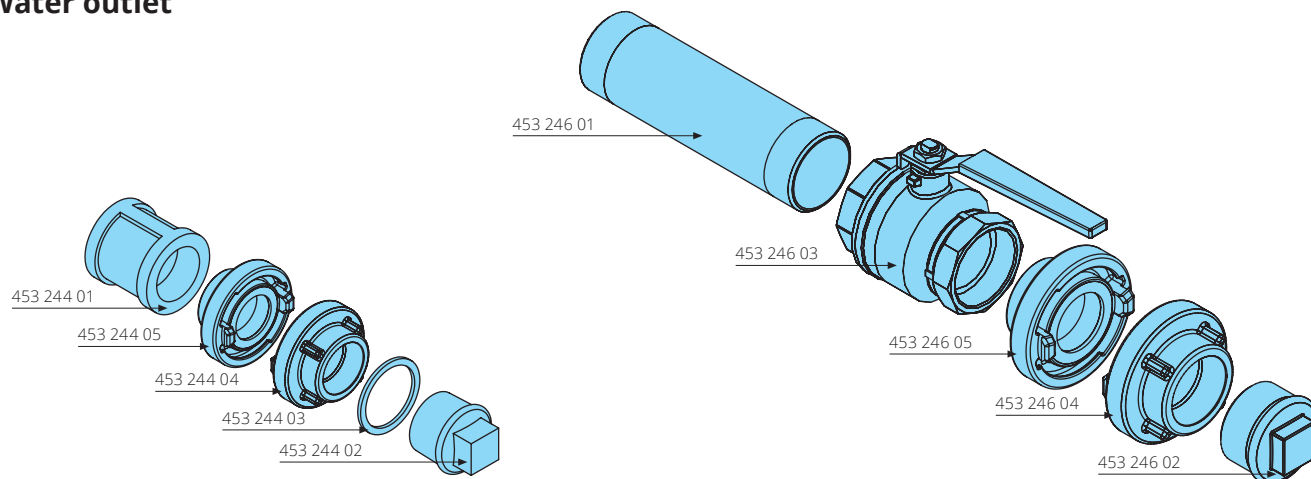


Article no.	Product	Description
457 531	Clevis	M20x210mm, left-hand thread, galvanized, with bolt & nuts
457 532	Clevis	M20x210mm, right-hand thread, galvanized, with bolt & nuts
457 528	Clevis	M24x240mm, left-hand thread, galvanized, forged, with bolt & nuts
457 529	Clevis	M24x240mm, right-hand thread, galvanized, forged, with bolt & nuts
457 516	Clevis	M24x268mm, left-hand thread, galvanized
457 517	Clevis	M24x268mm, right-hand thread, galvanized
457 540	Clevis	M24x280mm, left-hand thread, galvanized, forged, with locking lug, bolt & nut
457 541	Clevis	M24x280mm, right-hand thread, galvanized, forged, with locking lug, bolt & nuts
457 533	Clevis	M30x290mm, left-hand thread, galvanized, with bolt & nuts
457 534	Clevis	M30x290mm, right-hand thread, galvanized, with bolt & nuts
457 555	Clevis	M30x370mm, left-hand thread, galvanized, forged, with locking lug, bolt & nuts
457 556	Clevis	M30x370mm, right-hand thread, galvanized, forged, with locking lug, bolt & nuts
457 509 101	Clevis	M36x465mm, left-hand thread, galvanized, forged, with bolt & nuts
457 509 111	Clevis	M36x465mm, right-hand thread, galvanized, forged, with bolt & nuts
457 535	Threaded eye	M20x165mm, left-hand thread, galvanized, d=24mm
457 536	Threaded eye	M20x165mm, right-hand thread, galvanized, d=24mm
457 511	Threaded eye	M24x213mm, left-hand thread, galvanized, d=33mm
457 512	Threaded eye	M24x213mm, right-hand thread, galvanized, d=33mm
457 538 2	Threaded eye	M30x255mm, left-hand thread, galvanized, d=39mm
457 539 2	Gewindeöse	M30x255mm, right-hand thread, galvanized, d=39mm
457 542	Threaded eye	M36x265mm, left-hand thread, galvanized, d=43mm
457 543	Threaded eye	M36x265mm, right-hand thread, galvanized, d=43mm
457 544	Threaded eye	M48x335mm, left-hand thread, galvanized, d=58mm
457 545	Threaded eye	M48x335mm, right-hand thread, galvanized, d=58mm



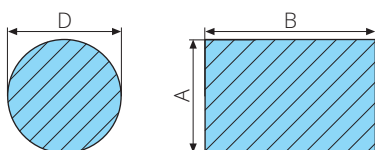
Article no.	Product	Description
457 513	Threaded rod	M24x260mm, left-hand thread, DIN 34828
457 514	Threaded rod	M24x260mm, right-hand thread, DIN 34828
457 571	Threaded rod	M30x260mm, left-hand thread, DIN 34828
457 572	Threaded rod	M30x260mm, right-hand thread, DIN 34828
457 576	Threaded rod	M36x260mm, left-hand thread, DIN 34828
457 577	Threaded rod	M36x260mm, right-hand thread, DIN 34828
457 578	Threaded rod	M48x260mm, left-hand thread, DIN 34828
457 579	Threaded rod	M48x260mm, right-hand thread, DIN 34828
457 515	Clevis head	104x30mm
457 508 10	Hook	280x37mm, galvanized

Water outlet



Article no.	Product	Description
453 244 01	Coupling sleeve	1", raw
453 244 05	Storz coupling	1", outer thread
453 244 04	Storz coupling	1", inner thread
453 244 03	Sealing ring	1"
453 244 02	Plug	1", galvanized
453 246 01	Threaded pipe	2", L=200mm, galvanized
453 246 03	Ball valve	2", brass thread, SW65
453 246 05	Storz coupling	2", outer thread
453 246 04	Storz coupling	2", inner thread
453 246 02	Plug	2", galvanized

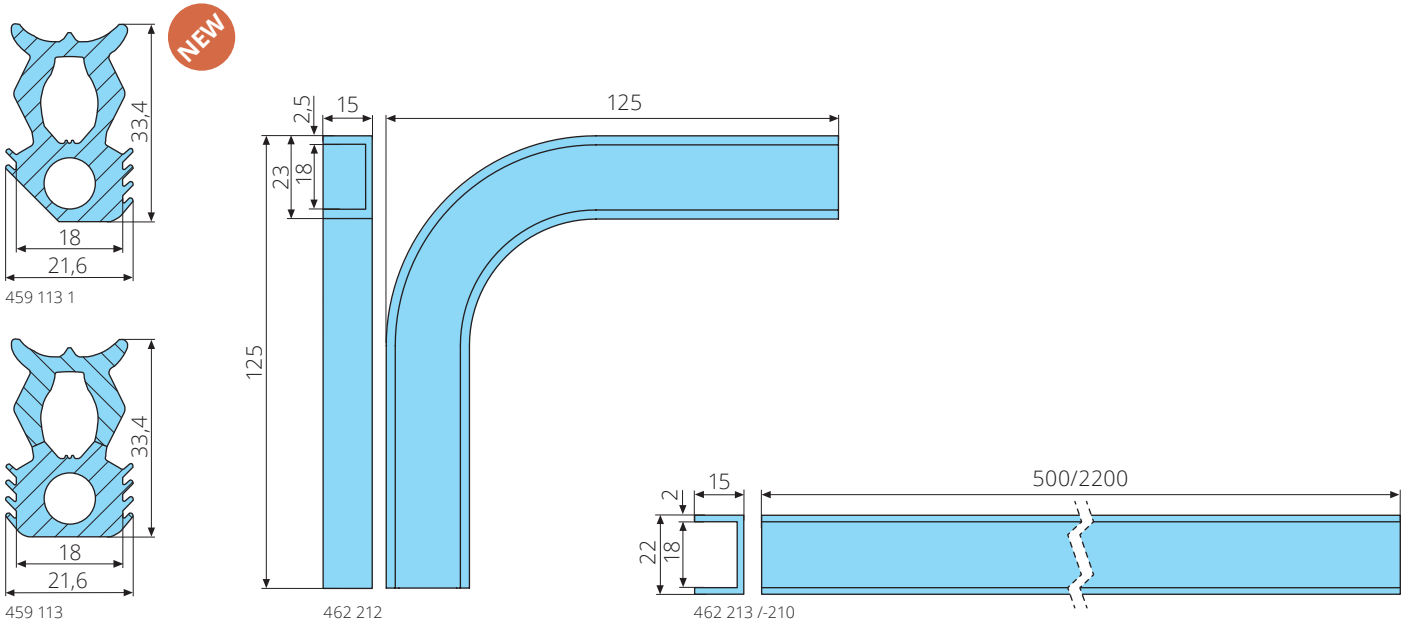
Foam rubber seals



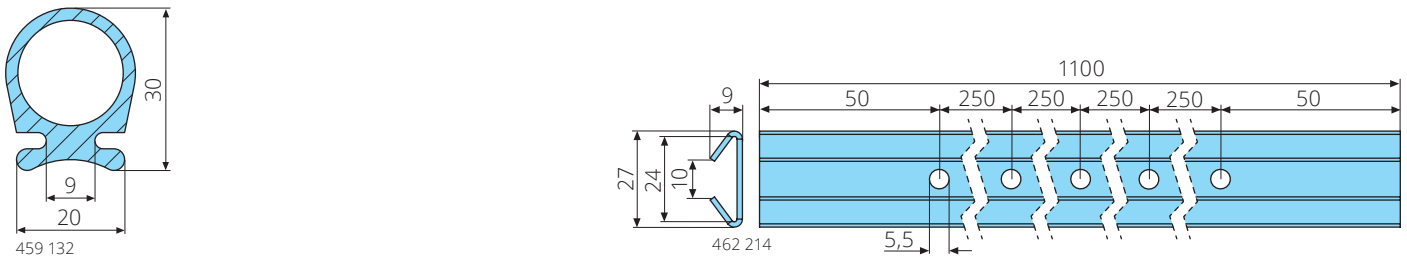
Article no.	Product	Description
459 119	Foam rubber seal	D=20mm, round, 25m bundle
459 120	Foam rubber seal	D=30mm, round, 20m bundle
459 126	Foam rubber seal	10x60mm, square, 25m bundle
459 114	Foam rubber seal	12x20mm, square, 50m bundle
459 128 01	Foam rubber seal	15x15mm, square, 25m bundle
459 102	Foam rubber seal	15x20mm, square, 25m bundle
459 115	Foam rubber seal	15x30mm, square, 25m bundle
459 104	Foam rubber seal	15x40mm, square, 25m bundle
459 104 1	Foam rubber seal	15x50mm, square, 25m bundle
459 101	Foam rubber seal	20x20mm, square, 25m bundle
459 127	Foam rubber seal	20x25mm, square, 25m bundle
459 112	Foam rubber seal	20x30mm, square, 25m bundle
459 112 1	Foam rubber seal	20x35mm, square, 25m bundle
459 106	Foam rubber seal	20x40mm, square, 25m bundle
459 117	Foam rubber seal	20x45mm, square, 25m bundle
459 103	Foam rubber seal	20x50mm, square, 25m bundle
459 107	Foam rubber seal	25x25mm, square, 25m bundle
459 125	Foam rubber seal	25x40mm, square, 25m bundle
459 111	Foam rubber seal	25x50mm, square, 15m bundle
459 108	Foam rubber seal	30x30mm, square, 20m bundle
459 118	Foam rubber seal	30x35mm, square, 15m bundle
459 110 1	Foam rubber seal	30x40mm, square, 15m bundle
459 110	Foam rubber seal	30x45mm, square, 15m bundle
459 116	Foam rubber seal	40x40mm, square, 10m bundle

Article no.	Product	Description
459 143	Adhesive kit for EPDM	glue & primer, 30g, to be applied in thin layers on both ends

## Rubber seals / Guide profiles

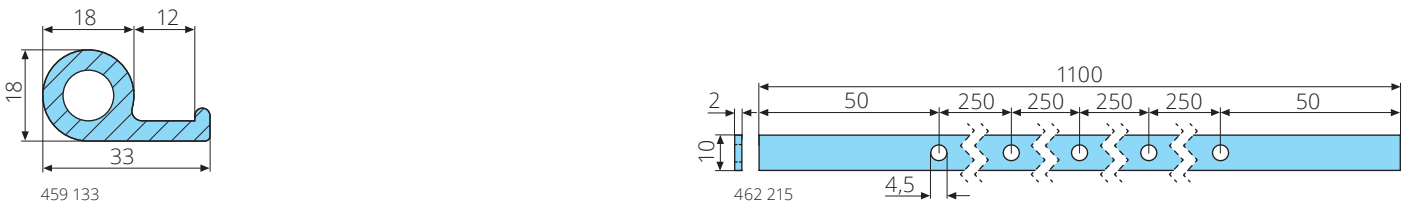


Article no.	Product	Description
459 113 1	Solid rubber seal	21,6x33,4mm, 20m bundle
459 113	Seal for compactors	21,6x33,4mm, 2 types of rubber, 20m bundle
Article no.	Product	Description
462 212	U-profile	125x23x15x2,5mm, 90° elbow, S355J2
462 213	U-profile	500x22x15x2mm, S355J2
462 210	U-profile	2200x22x15x2mm, S355J2



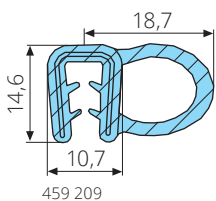
Article no.	Product	Description
459 132	Seal for container doors	20x30mm, 30m bundle

Article no.	Product	Description
462 214	Guide profile	1100x27x9mm, steel, galvanized



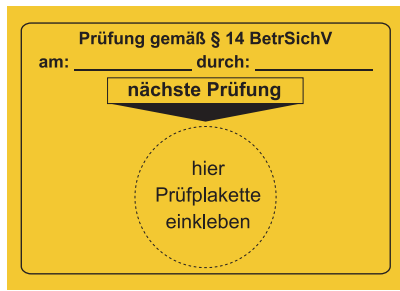
Article no.	Product	Description
459 133	Seal for container doors	18x33mm, 25m bundle

Article no.	Product	Description
462 215	Anchoring plate	1100x10x2mm, galvanized

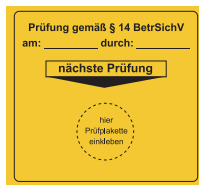


Article no.	Product	Description
459 209	Composite sealing profile	24x14,6mm, self-clamping, 25m bundle, deformable max. 10mm

Stickers



459 220 1



459 222 1



459 255 1



459 221 1



459 243



459 242



459 234



459 232



459 231



459 238



459 235



459 236



459 230



459 239

Article no. Product

459 220 1	PVC base sticker "Prüfung gemäß § 14 BetrSichV"
459 222 1	PVC base sticker "Prüfung gemäß § 14 BetrSichV"
459 255 1	PVC base sticker "Prüfung gemäß § 14 BetrSichV mit Logo"
459 221 1	PVC base sticker "Prüfung gemäß § 14 BetrSichV"
459 243	PVC inspection sticker "perennial"
459 242	PVC inspection sticker "perennial"
459 234	PVC inspection sticker "2022"
459 232	PVC inspection sticker "2022"
459 231	PVC inspection sticker "2023"
459 238	PVC inspection sticker "2023"
459 235	PVC inspection sticker "2024"
459 236	PVC inspection sticker "2024"
459 230	PVC inspection sticker "2025"
459 239	PVC inspection sticker "2025"

Description

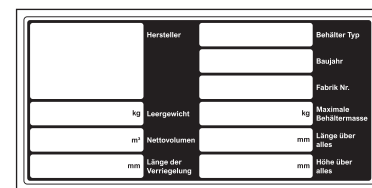
210x150mm, 2 stickers/sheet
105x95mm, 6 stickers/sheet
110x148mm, 4 stickers/sheet
40x95mm, 15 stickers/sheet
D=75mm, 6 stickers/sheets
D=30mm, 48 stickers/sheet
D=75mm, 6 stickers/sheet
D=30mm, 48 stickers/sheet
D=75mm, 6 stickers/sheet
D=30mm, 48 stickers/sheet
D=75mm, 6 stickers/sheet
D=30mm, 48 stickers/sheet
D=75mm, 6 stickers/sheet
D=30mm, 48 stickers/sheet



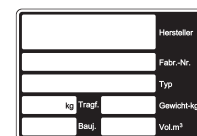
459 240



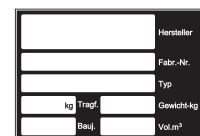
459 241 1



459 200 2



459 200



459 200 1

Article no. Product

459 240	PVC sticker "Warnhinweise für Abrollcontainer"
459 241 1	PVC sticker "Warnhinweise für Absetzcontainer"
459 200 2	Type label aluminum sticker for roll-off containers
459 200	Type label aluminum sticker for skips
459 200 1	Type label aluminum plate for skips

Description

210x297mm
210x297mm
194x97mm, 3 stickers/sheet
95x65mm, 8 stickers/sheet
100x70mm

Stickers according to customer specification on request

Stickers



459 284



459 207



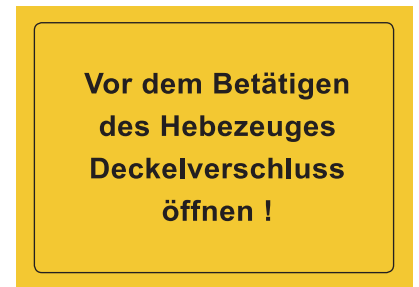
459 202



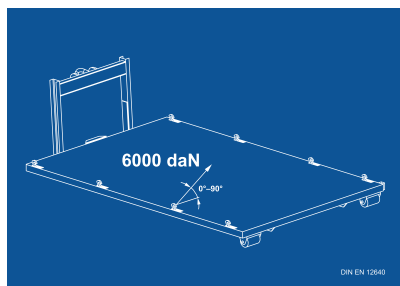
459 282



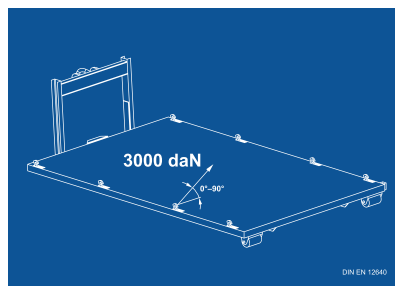
459 210



459 229 /-229 1



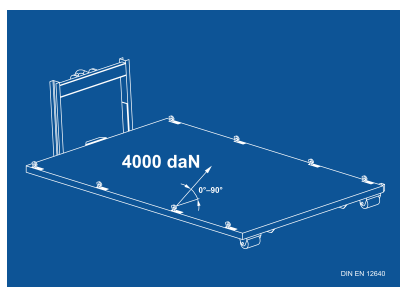
459 248 1



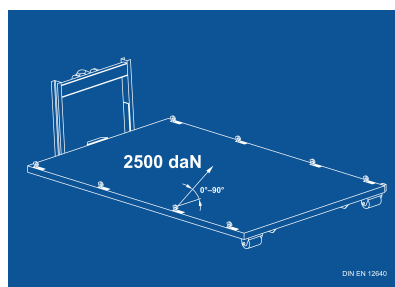
459 249 2



459 211



459 248 2



459 249 1



459 208

Article no.	Product	Description
459 284	PVC sticker "Schadstoffhaltige Abfälle"	297x210mm
459 207	PVC sticker "Nur bis zum Rand füllen!"	D=200mm
459 202	PVC sticker "Greifer"	D=200mm
459 282	PVC sticker "Quetschgefahr"	210x150mm, 2 stickers/sheet
459 210	PVC sticker "Deckel ist federbelastet"	210x150mm, 2 stickers/sheet
459 229 1	PVC sticker "Deckelverschluss öffnen!"	210x150mm
459 229	PVC sticker "Deckelverschluss öffnen!"	210x150mm, 2 stickers/sheet
459 248 1	PVC sticker "5880 daN"	210x150mm, 2 stickers/sheet
459 248 2	PVC sticker "5880 daN"	210x150mm, 2 stickers/sheet
459 249 2	PVC sticker "5880 daN"	210x150mm, 2 stickers/sheet
459 249 1	PVC sticker "5880 daN"	210x150mm, 2 stickers/sheet
459 211	PVC sticker "Vor öffnen der Türen"	210x150mm, 2 stickers/sheet
459 208	PVC sticker "aus dem Schwenkbereich der Tür treten"	210x150mm, 2 stickers/sheet

Stickers

**! ACHTUNG !**  
**KURZBEDIENANLEITUNG FÜR MÜLLPRESSEN**

Um Gefahren, Unfälle, auch mit Todesfolge zu vermeiden, sind zwingend nachstehende Punkte zu prüfen. Werden alle Vorschriften & Hinweise beachtet, ist ein sicherer Einsatz gewährleistet.

**Schutzrüstung**  
 Es ist eine persönliche Schutzausrüstung vollständig & unbeschädigt für den sofortigen Einsatz zu tragen.

**Schutzmaßnahmen**

**Elektroanschluss**  
 Die Pressesteuerung muss mit einer flexiblen, schweren Zuleitung als Gummischlauchleitung (min. H07RN-F) angeschlossen werden. Bei Betrieb über eine Steckvorrichtung ist ein Fehlerstromschutzschalter (VDE 0664, DEUV Vorschrift 21) mit einem Nennstrom von max. 30 mA vorzuschalten.

**Bedienung**

- Hauptschalter auf 1 schalten, danach die EIN-Taste betätigen.
- Das Abschalten erfolgt über die eingestellte Zeit oder durch Betätigen einer AUS-Taste.
- Nach jeder Entleerung ist auf ordnungsgemäßes Verschließen der Entleerungskäp-pen/-türen zu achten.

**Störungen / Unfälle**  
 Bei Störungen ist die Presse still zu setzen & der Vorgangstru zu verständigen. Keine Reparaturversuche, Reparaturen dürfen nur von Fachleuten vorgenommen werden. Die Freigabe der Müllpresse nach einer Störungsbeseitigung darf nur durch die beauftragten Fachleute erfolgen. Nach einem Unfall ist die Müllpresse sofort still-zusetzen. Verletzungen durch Unfallmaßnahmen ver-sorgen. Unfall entsprechend den betrieblichen Regelungen melden & weitere Erste-Hilfe-Maß-nahmen veranlassen.

**Prüfung**  
 gemäß  
 DIN EN 14664 / 14 663:2019  
 nächste Prüfung

Hier Prüflakette einkleben

Achtung! Bei Gefahr Presse durch Betätigen eines NOT-AUS-Tasters stilllegen. Mit dem Befehlsgastaster

den Presskolben nach hinten fahren; die Anlage schaltet ab.

www.rewald.eu

459 216

**Vorsicht !  
 Quetschgefahr**

459 214

**Niemals in den  
 Befülltrichter  
 greifen oder  
 einsteigen!**

**Lebensgefahr!**

459 212

**Vor Öffnen der Türen  
 Netzstecker ziehen**

**Lebensgefahr!**

459 213

**Pressenraum  
 bei jeder  
 Leerung  
 reinigen**

459 227

**Bedienung  
 nur durch  
 unterwiesene  
 Personen**

NEW

459 256

Hersteller	
Fab.-Nr.	
Typ	
Baujahr	Ausführung
kg Leergewicht	kg zul. Gesamtgewicht
m <sup>3</sup> Nutzvolumen	VAC Nennspannung
Hz Nennfrequenz	A Nennstrom
kW Nennleistung	Δ max. zul. Anschlußsicherung
Schutzart	bar max. zul. Betriebsdruck

459 201

**Achtung!**

Nach jeder Entleerung Türverriegelung mit Ratsche ordnungsgemäß verschließen und Verschluss mit Federstecker sichern!

459 257

**Pressenraum  
 1 mal  
 wöchentlich  
 reinigen**

459 215

**Achtung !  
 Hakenbügel nur für  
 Rangierzwecke**

459 217

**NOT-AUS**

459 219

Article no.	Product	Description
459 216	PVC sticker "Kurzbedienungsanleitung für Müllpressen"	210x297mm
459 214	PVC sticker "Vorsicht! Quetschgefahr"	210x297mm
459 212	PVC sticker "Niemals in den Befülltrichter greifen"	210x150mm, 2 stickers/sheet
459 213	PVC sticker "Netzstecker ziehen"	210x150mm, 2 stickers/sheet
459 227	PVC sticker "Pressenraum bei jeder Leerung reinigen"	297x210mm
459 256	PVC sticker "Bedienung nur durch unterwiesene Personen"	104x52mm, 10 stickers/sheet
459 201	Type label aluminum sticker for compactors	194x97mm, 3 stickers/sheet
459 257	PVC sticker "Nach Entleerung Türverriegelung sichern!"	210x150mm, 2 stickers/sheet
459 215	PVC sticker "Pressenraum 1 mal wöchentlich reinigen"	297x210mm
459 217	PVC sticker "Hakenbügel nur für Rangierzwecke"	297x210mm
459 219	PVC sticker "NOT-AUS"	90x90mm, 6 stickers/sheet

Stickers according to customer specification on request

Stickers



459 295



459 296



459 203



459 297



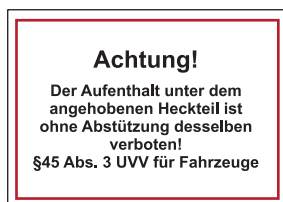
459 292



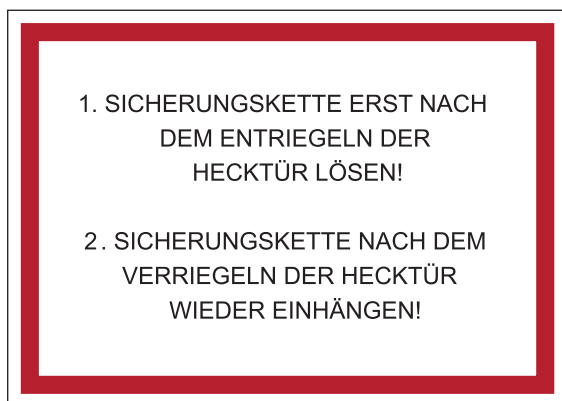
459 291



459 283



459 294



459 218



459 205

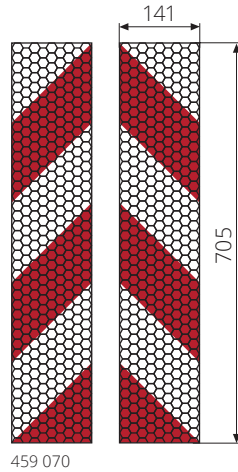
Article no.	Product	Description
459 295	PVC sticker "Nicht in die Schüttung greifen"	210x75mm, 4 stickers/sheet
459 296	PVC sticker "Nicht hinter den Schwenkarm treten"	210x75mm, 4 stickers/sheet
459 292	PVC sticker "Nicht in die Schüttung fassen"	D=90mm, 6 stickers/sheet
459 291	PVC sticker "Achtung Schüttungsarm"	D=90mm, 6 stickers/sheet
459 294	PVC sticker "Achtung! §45 Abs. 3 UVV für Fahrzeuge"	148x105mm, 4 stickers/sheet
459 203	PVC sticker "Aufsteigen verboten"	D=200mm
459 218	PVC sticker "Sicherungskette lösen/wieder einhängen"	297x210mm
459 297	PVC sticker "Hydrauliköl/Ölstand"	195x145mm, 2 stickers/sheet
459 283	PVC sticker "Zufahrt freihalten!"	210x95mm, 3 stickers/sheet
459 205	PVC sticker "Bekleben verboten!"	210x150mm, 2 stickers/sheet



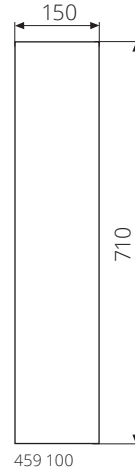
459 293

Article no.	Product	Description
459 293	PVC sticker "Achtung Seitenlader!"	850x600mm

**Chevron markings**



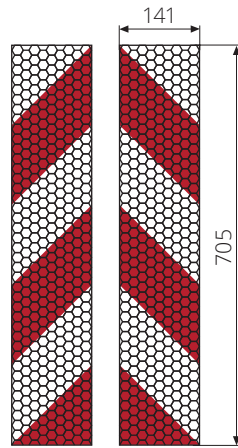
459 070



459 100

Article no.	Product	Description
459 070	Chevron marking	705x141mm, DIN 67520, retroreflective, 4x left, 4x right, 10 year warranty

Article no.	Product	Description
459 100	Magnetic foil	710x150x0,9mm, white

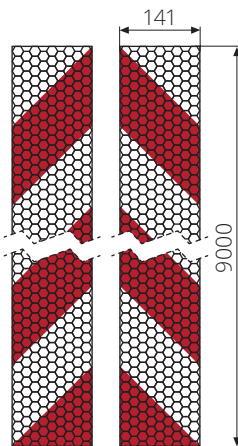
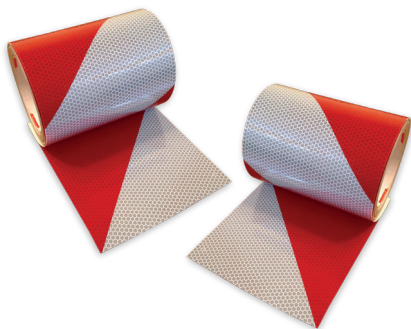


459 076 /-076 1

Article no.	Product	Description
459 076	Chevron marking	705x141mm, DIN 67520, retroreflective, 4x left, 4x right, 5 year warranty

459 076 1	Chevron marking	705x141mm, DIN 67520/6171, retroreflective, 4x left, 4x right, 5 year warranty
-----------	-----------------	--

**Warnmarkierungen nur für Fahrzeuge**



459 075

Article no.	Product	Description
459 075	Chevron marking for vehicles	9000x141mm, DIN 30710, retroreflective, edge protection film, 1 roll left, 1 roll right



# Custom order form

Office Richard-Wagner-Straße 51  
 10585 Berlin | Germany  
 Phone +49 (0)30 2000 578 80  
 E-mail vertrieb@rewald.eu  
 Internet www.rewald.eu


We are happy to accept special requests. We ask for as much information as possible so that we can make an offer.

If available, you can also send us the following by e-mail or post:

- detailed photos
- technical drawings, 3D models, detailed sketches
- sample parts
- reference to similar Rewald articles

<b>Contact Person</b>	
<b>Address</b>	
<b>Phone</b>	
<b>E-mail</b>	
<b>Rewald Customer no.</b>	

Chevron markings / Custom order form

<b>Product</b>	
<b>Material</b>	
<b>OEM no.</b>	
<b>Manufacturer</b>	
<b>Amount</b>	
<b>Sketch</b>	

**Order form**

Office Richard-Wagner-Straße 51  
10585 Berlin | Germany  
Phone +49 (0)30 2000 578 80  
E-mail [vertrieb@rewald.eu](mailto:vertrieb@rewald.eu)  
Internet [www.rewald.eu](http://www.rewald.eu)

<b>Bill Address</b>	
<b>Contact Person</b>	
<b>Position</b>	
<b>Phone</b>	
<b>E-mail</b>	
<b>Rewald Customer no.</b>	

<b>Delivery Address</b>	
<b>Data</b>	
<b>Order no.</b>	
<b>Descriptionen</b>	

Express Delivery  Stardart Delivery

Article no.	Product	Amount

Payment 10 days 2% discount, 30 days netto  
For further terms of payment & delivery see the general terms & conditions

---

**Signature, company stamp**

---

**Name in capital letters**

## General terms & conditions REWALD GmbH

1. The customer declares himself in agreement with our standard terms and conditions when placing an order. Failure of the customer to reveal any particular terms of business on their side does not in any way imply our consent to them. In particular, the delivery or provision of services does not constitute implied acceptance of the customer's terms and conditions. Alterations, supplementary agreements and additions to the Standard Terms of Business require our written confirmation.
2. All offers are subject to change and are non-binding. All documents relating to these offers, including figures, drawings, weights or dimensions and including any other technical information and references to technical standards and designs merely indicate the object of the agreement and are subject to written confirmation of technical properties. All prices are quoted for deliveries ex-factory including loading in factory and excluding standard packaging and VAT. Our offers are based on the latest technical developments, the relevant accident prevention regulations, safety regulations etc at the time of making the offer.
3. For content and scope of the contract our written confirmation of the order is definitive. Supplementary agreements, additions etc require our written confirmation.
4. We only accept prepayment. Our request minimum value is 50 €.
5. In the event that after closing of contract we become aware of circumstances which substantially bring the credit-worthiness of the customer into question, or if payment terms are not met, we are entitled to demand at our discretion payment in advance of any liabilities arising out of the business relationship or to ask for appropriate securities.
6. If circumstances arising out of our control, including but not limited to operational disturbances, strikes or lock-outs, freight disruption and any other unforeseeable shortages which occur with our suppliers, and which cause the failure or delay of consignments or services, we reserve the right to deliver at a later date or to withdraw wholly or partly from the contract without the customer having the right to claim damages. In the event of a delay in delivery or services the customer is entitled to withdraw from the contract after the expiry of a reasonably extended deadline of at least 2 weeks. Any withdrawal from contract must take place through written declaration.
7. All shipments are insured. A statement of any damages or shortages to the consignment must be drawn up immediately after receipt. Liability for the risk of accidental damage passes to the purchaser when the consignment is handed over to the freight carrier, but at the latest when the consignment leaves the warehouse. Specific shipping instructions of the customer are only binding if agreed to in writing. Otherwise delivery will be made as we deem best and under exclusion of any liability for the choice of mode of shipment. Shipment takes place at the expense of the buyer. For orders within Germany with a minimum net value of 770 Euro freight delivery will not be charged.
8. The following conditions apply to our warranty and liability for defects in delivery or service, including incorrect delivery or performance: any claims must be made in writing within one week of receipt of goods or services. In the event of justified complaint, excluding the absence of guaranteed qualities, we reserve the right to remedy the defective delivery or service within a reasonable space of time. Where applicable, we may recall the defective goods and supply a replacement; we will not assume responsibility for the costs of assembly, disassembly, or installation. The customer is obliged to allow us the opportunity for rectification during normal working hours by prior agreement.
9. We retain title to all goods supplied pending full and complete payment and until all present and future claims arising out of the business relationship have been met. If the customer acquires sole or shared ownership on the basis of the joining, combining, mixing or processing of our consignment (with other consignments) then we shall have ownership to the ratio of the value of our consignment in relation to the other goods with which it is joined, combined or mixed. Any treatment or processing is covered according to Paragraph 950 BGB without any obligation on our part. Furthermore is any resale prohibited.
10. Only goods specifically listed on the delivery note can be returned. Goods which have been damaged are non-returnable. The cost and risks of return freighting of the returned goods will be borne by the customer. Returned goods will be refunded less a deduction of 20% of the purchase price.
11. The relinquishing of claims against the customer which are due to us in the business relationship is excluded.
12. We will only be liable for deliberate or gross negligence of our agents and senior management, or vicarious agents and assistants. Otherwise any claims for damages arising from fault during the contract negotiations, from actual breach of contract, arising out of a punishable act, or contractual rights (such as consultation or information about qualities, applications, service requirements etc) are ruled out. In particular we will only be liable for consultations for which a separate payment was agreed.
13. Place of dispatch for all shipments and payments is Berlin, Germany. Sole place of jurisdiction is Amtsgericht Berlin-Charlottenburg.
14. The contractual relationship is governed by German law. The application of the uniform law governing the international purchase of movable objects is excluded.
15. Should any of the above stated provisions be either fully or in part invalid, the validity of the remaining provisions of contract shall not in any way be affected.

**Office** Richard-Wagner-Straße 51 | 10585 Berlin | Germany

**Warehouse** Hafenstraße 1 | 16727 Velten | Germany

**Phone** +49 (0)30 2000 578 80

**E-mail** [vertrieb@rewald.eu](mailto:vertrieb@rewald.eu)

**Internet** [www.rewald.eu](http://www.rewald.eu)



## Further Catalogs

